

**HIGH SPEED, (TRUCK) TANDEM RIGID DRIVE AXLE, FR2P20S**

|   |   |
|---|---|
| <b>GAWR</b>   | 20 000 kg [44,000 Lb.]  |
| <b>GCWR</b>   | 40 000 kg [88,000 Lb.]  |
| <b>Axle Type</b>                                    | Spiral Bevel Center Differential<br>Planetary Wheel End Reduction, 5-planet Carrier   |
| <b>Brakes</b>                                       |   |
| Type  | Drum, S-cam   |
| Size  | Ø410 mm [16,1 Inch] x 180 mm [7,1 Inch] Width   |
| Slack Adjuster                                      | Automatic, 165 mm [6.5 Inch] Length   |
| Chamber   | 30 Square Inch  |
| Certification                                       | FMVSS 121   |
| <b>Housing</b>                                      | Fabricated Steel, Cross Section 153 mm [6,0 Inch] Height<br>x 137 mm [5,4 Inch] Width, Center Bowl                            |
| <b>Wheel End</b>                                    | 10-studs on 335 mm [13,2 inch] BC, 280.8 [11,1 Inch] mm<br>Pilot Diameter. Minimum Wheel Size 20 Inch<br>Single Tire Mounting |
| <b>Wheel offset (optimal)</b>                       | Inset 90...165 mm [5.1...6.5 Inch]  |
| <b>Drive Flange</b>                                 | ISO8667-T150, ISO8667-T180 (Input FRMP10S)  |
| <b>Final Drive Ratios</b>                           | 4.63, 5.54, 6.36 and 7.01   |
| <b>Tracks Available (Over wheel mounting faces)</b> | 2360 mm [92.9 Inch]   |
| <b>Lubrication</b>                                  |   |
| Type  | API GL-5  |
| Capacity (FRDP10S)                                  | Total 13 liters [27 pints]  |
| Capacity (FRMP10S)                                  | Total 18 liters [38 pints]  |
| <b>Weight-Dry</b>                                   |   |
| FRDP10S   | 660 kg [1,455 Lb.]  |
| FRMP10S   | 790 kg [1,742 Lb.]  |

---

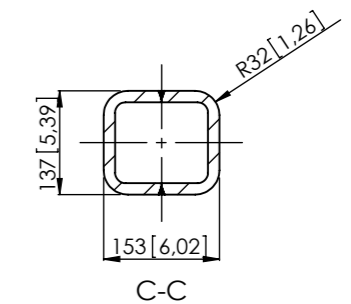
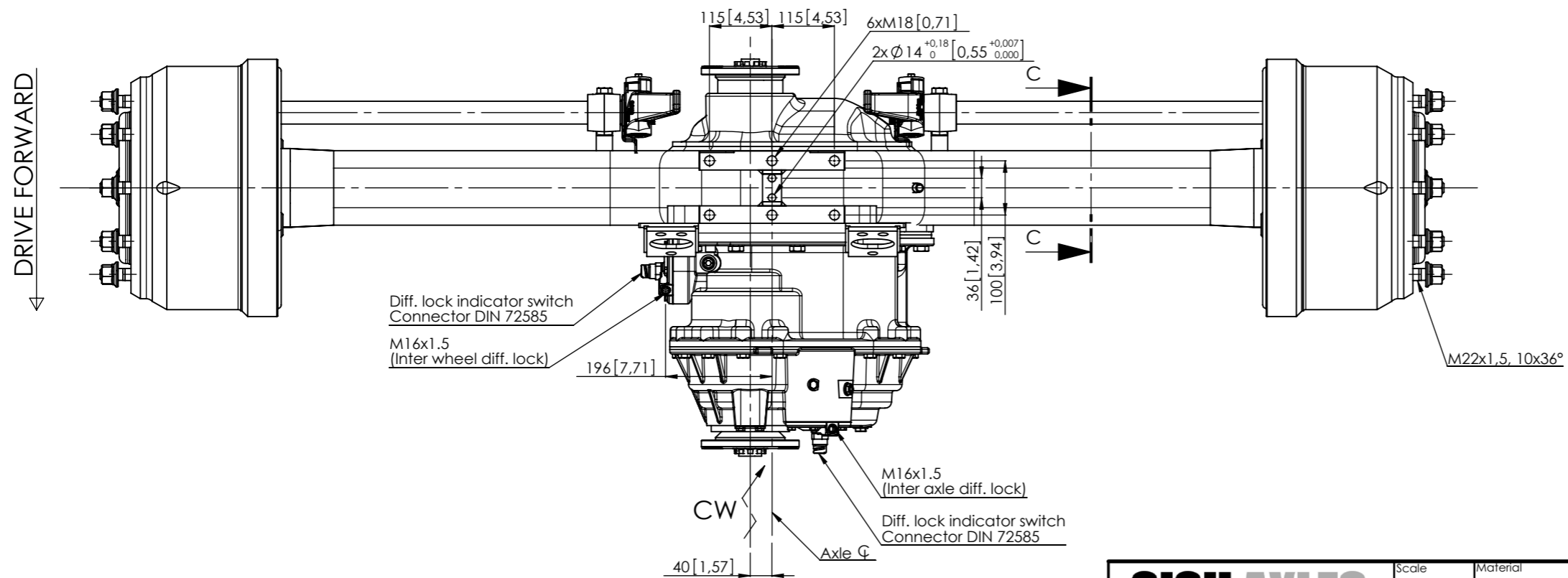
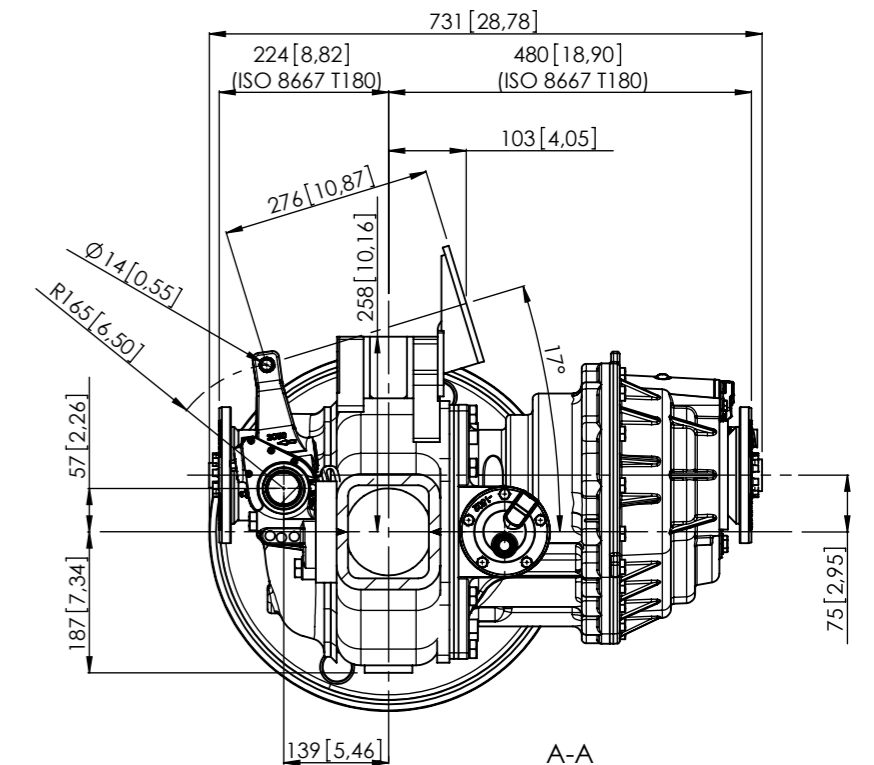
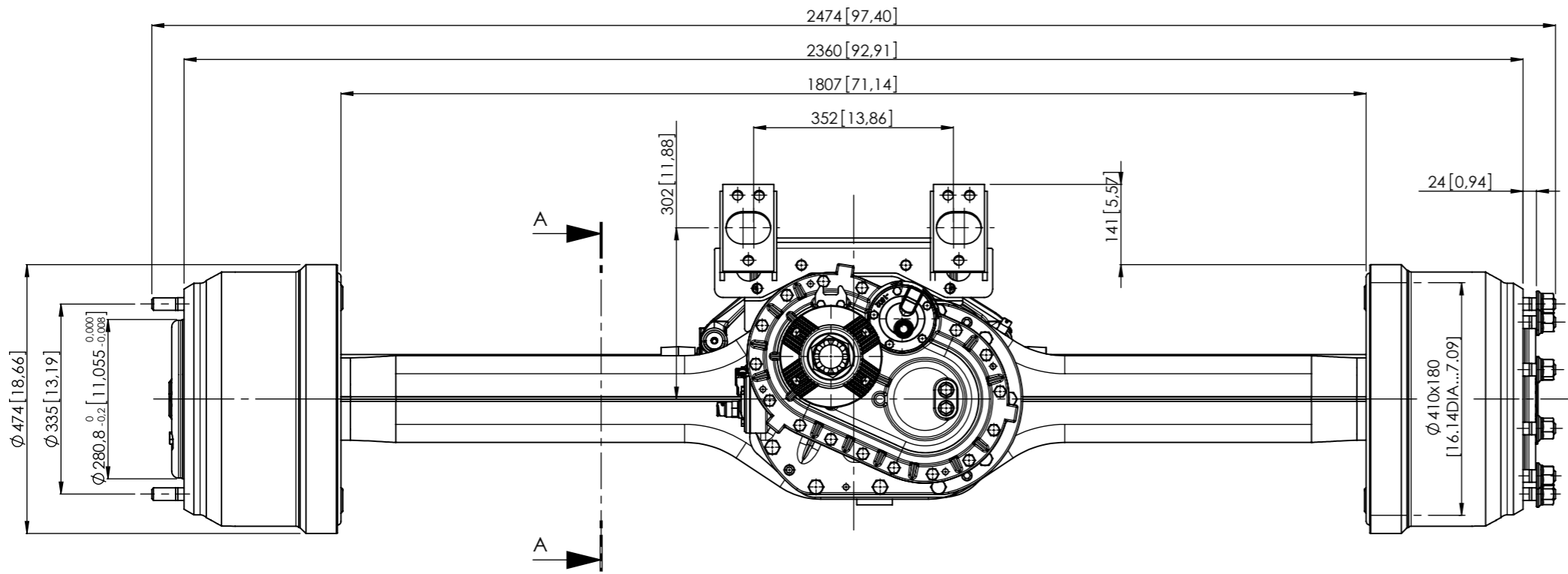
All ratings are nominal. Actual capacities determined based upon review of application data by Sisu Axles Inc.

|                 |                              |                        |
|-----------------|------------------------------|------------------------|
| <b>OPTIONS:</b> | Spring Seats                 | Wheel Stud Length      |
|                 | Wheel Nuts                   | Brake Chambers         |
|                 | Input / Output Drive flanges | Axle differential lock |
|                 | ABS Provision                | Slack adjuster type    |
|                 | CTI Provision                | Top Coating            |

---

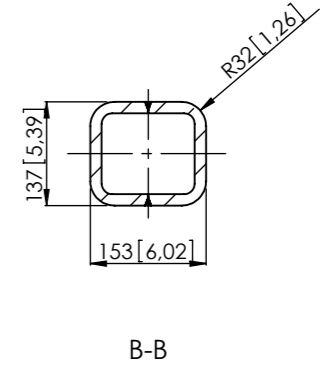
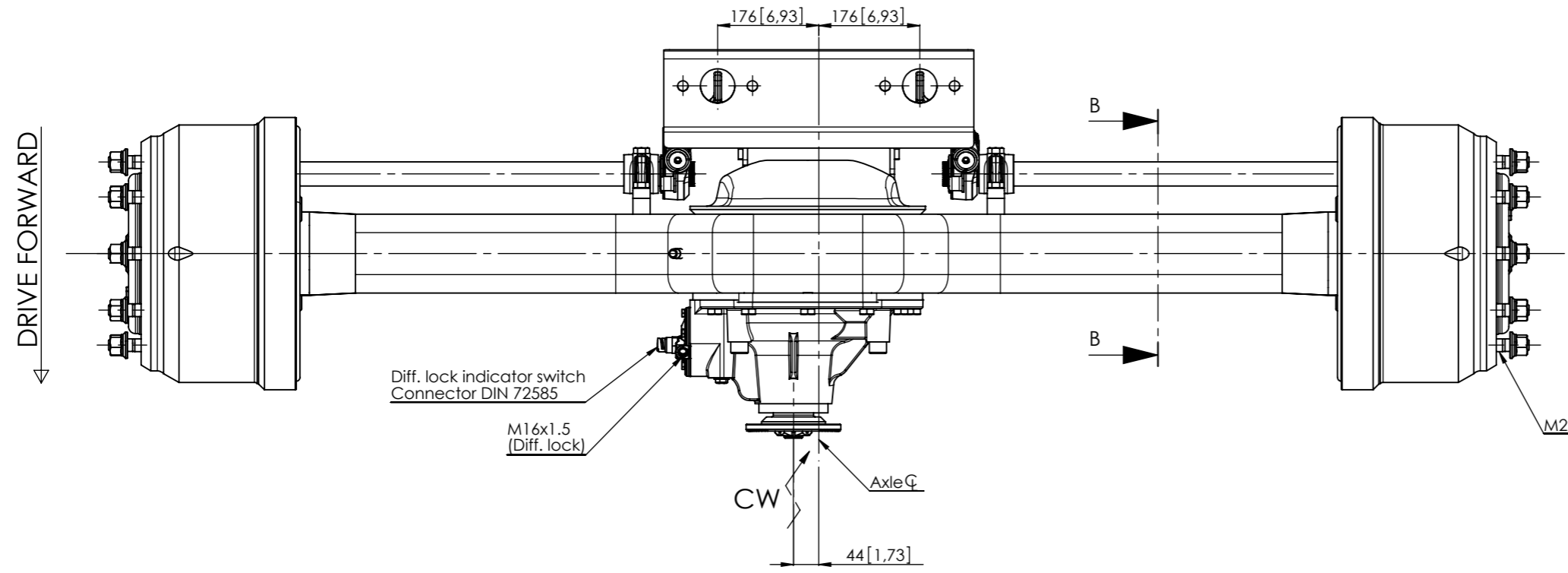
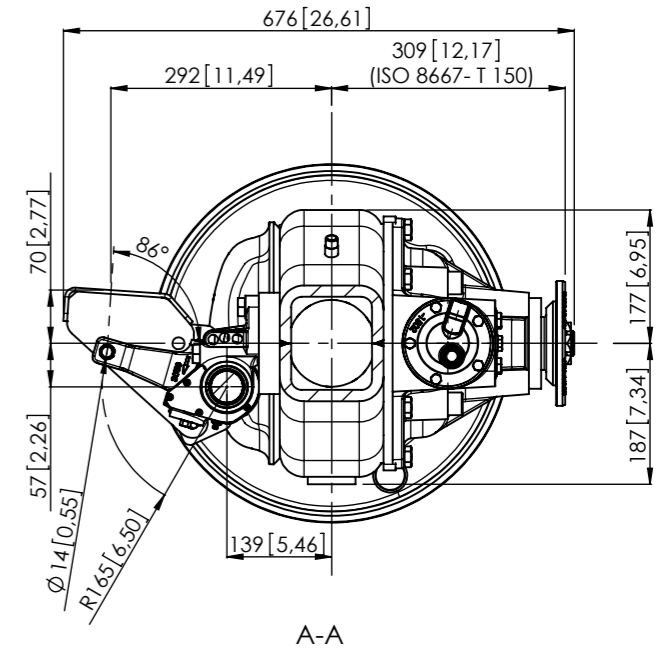
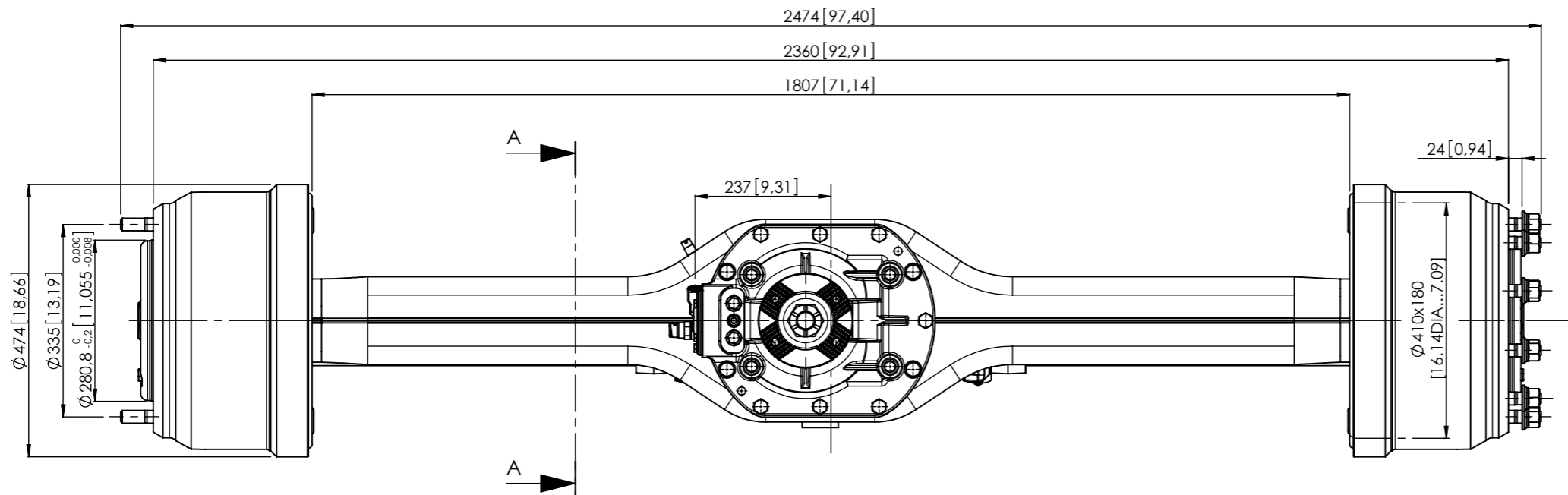
Other options may be available. Contact Sisu Axles sales for more information.

---



|   |  |                              |               |                   |          |  |
|---|--|------------------------------|---------------|-------------------|----------|--|
| <b>SISU AXLES</b><br><small>THIS DRAWING AND THE INFORMATION CONTAINED HEREIN IS PROPRIETARY TO SISU AXLES INC. IT SHALL NOT BE REPRODUCED, COPIED OR DISCLOSED IN WHOLE OR IN PART, OR USED FOR MANUFACTURE OF FOR OTHER PURPOSE WITHOUT THE WRITTEN PERMISSION OF SISU AXLES INC.</small> |  | Scale                        | Material      |                   | Product  |  |
|   |  | 1:10<br>DO NOT SCALE DRAWING | Drawn<br>JALI | Date<br>22.5.2007 | Approved | Date                                       |
| <small>Dimensions mm</small>  |  | Title                        |               |                   |          | Weight                                     |
|   |  | Dimension drawing            |               |                   |          | kg   |
| <small>Through drive</small><br><small>Drawing n:o</small>  |  | Rigid                        |               |                   |          | Rev. Sheet Drawing size<br><b>A 1/1 A3</b> |
|   |  | <b>M543-037-0048</b>         |               |                   |          |  |

|      |                     |         |              |          |               |
|------|---------------------|---------|--------------|----------|---------------|
| A    | Modeled and redrawn | NIAH    | 22.04.2010   | JALI     | 17.06.2010    |
| REV. | DESCRIPTION         | CHANGED | CHANGED DATE | APPROVED | APPROVED DATE |



|   |  |  |                            |                   |               |      |            |  |  |         |              |          |               |  |  |                      |  |               |                  |                        |
|---|--|--|----------------------------|-------------------|---------------|------|------------|--|--|---------|--------------|----------|---------------|--|--|----------------------|--|---------------|------------------|------------------------|
| <b>SISU AXLES</b><br><small>THIS DRAWING AND THE INFORMATION CONTAINED HEREIN IS PROPRIETARY TO SISU AXLES INC. IT SHALL NOT BE REPRODUCED, COPIED OR DISCLOSED IN WHOLE OR IN PART, OR USED FOR MANUFACTURE OF FOR OTHER PURPOSE WITHOUT THE WRITTEN PERMISSION OF SISU AXLES INC.</small> |  | Scale<br><b>1:10</b><br>DO NOT SCALE DRAWING | Material                   |                   | Product       |      |            |  |  |         |              |          |               |  |  |                      |  |               |                  |                        |
|   |  | Dimensions<br>mm                             | Drawn<br>JALI              | Date<br>22.5.2007 | Approved      | Date | FRDP10S    |  |  |         |              |          |               |  |  |                      |  |               |                  |                        |
|   |  | Drive<br>Drawing n:o                         | Title<br>Dimension drawing |                   | Weight<br>kg  |      |            |  |  |         |              |          |               |  |  |                      |  |               |                  |                        |
|   |  |  | Rigid                      |                   |               |      |            |  |  |         |              |          |               |  |  |                      |  |               |                  |                        |
| <table border="1"> <tr> <td>REV.</td> <td>DESCRIPTION</td> <td>NIAH</td> <td>21.04.2010</td> <td>JALI</td> <td>26.05.2010</td> </tr> <tr> <td></td> <td></td> <td>CHANGED</td> <td>CHANGED DATE</td> <td>APPROVED</td> <td>APPROVED DATE</td> </tr> </table>                                |  | REV.   | DESCRIPTION                | NIAH              | 21.04.2010    | JALI | 26.05.2010 |  |  | CHANGED | CHANGED DATE | APPROVED | APPROVED DATE |  |  | <b>M543-037-0049</b> |  | Rev. <b>A</b> | Sheet <b>1/1</b> | Drawing size <b>A3</b> |
|   |  | REV.   | DESCRIPTION                | NIAH              | 21.04.2010    | JALI | 26.05.2010 |  |  |         |              |          |               |  |  |                      |  |               |                  |                        |
|   |  | CHANGED                                      | CHANGED DATE               | APPROVED          | APPROVED DATE |      |            |  |  |         |              |          |               |  |  |                      |  |               |                  |                        |

|      |                     |         |              |          |               |
|------|---------------------|---------|--------------|----------|---------------|
| A    | Modeled and redrawn | NIAH    | 21.04.2010   | JALI     | 26.05.2010    |
| REV. | DESCRIPTION         | CHANGED | CHANGED DATE | APPROVED | APPROVED DATE |