

**HIGH SPEED, (TRUCK) NON-DRIVE STEER AXLE, FSND08S**

<b>GAWR</b>	8 000 kg [17,500 Lb.]
<b>Axle Type</b>	Forged Beam
<b>Brakes</b>	
Type	Drum, S-Cam
Size	Ø410 mm [16,1 Inch] x 180 mm [7,1 Inch]
Slack Adjuster Chamber	Automatic, 165 mm [6.5 Inch] Length 30 Square Inch
<b>Steering</b>	
KPI	7°
Caster	0°
Camber	1°
Turn angle	50°
<b>Housing</b>	Forged I-Beam, Drop 112 mm [4.4 Inch]
<b>Wheel End</b>	10-studs on 335 mm [13,2 Inch] BC, 280.8 mm [11,1 Inch] Pilot Diameter. Minimum Wheel Size 20 Inch
<b>Wheel offset (optimal)</b>	Inset 120...160 mm [4.7...6.3 Inch]
<b>Tracks Available (Over wheel mounting faces)</b>	2400 mm [94.5 Inch]
<b>Lubrication</b>	
Type	Lithium Based Multi Purpose Grease According to NLGI 2
<b>Weight-Dry</b>	440 kg [970 Lb.]

---

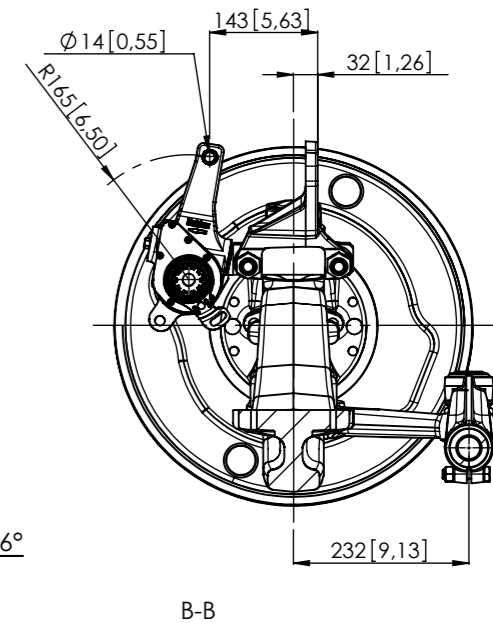
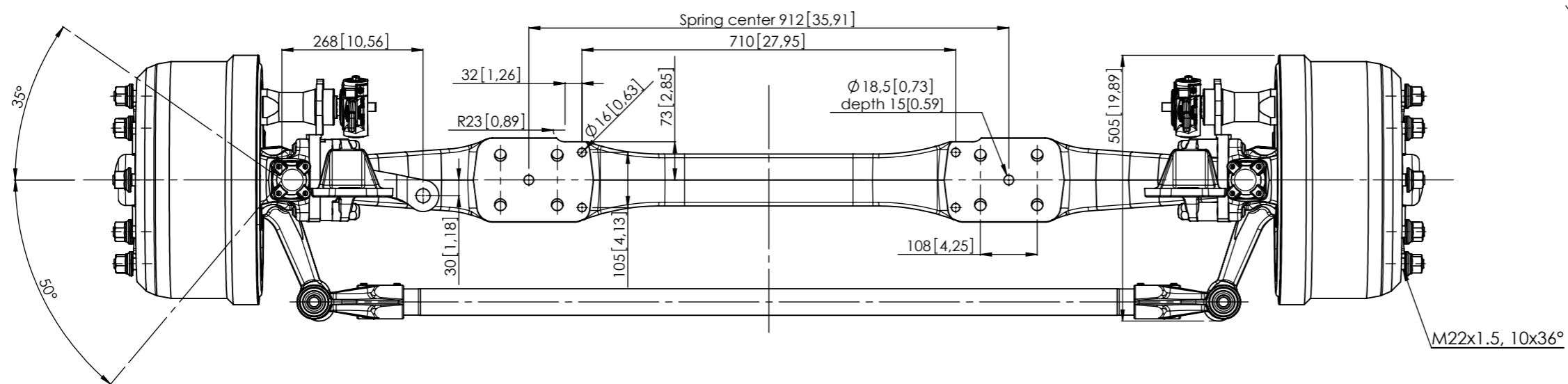
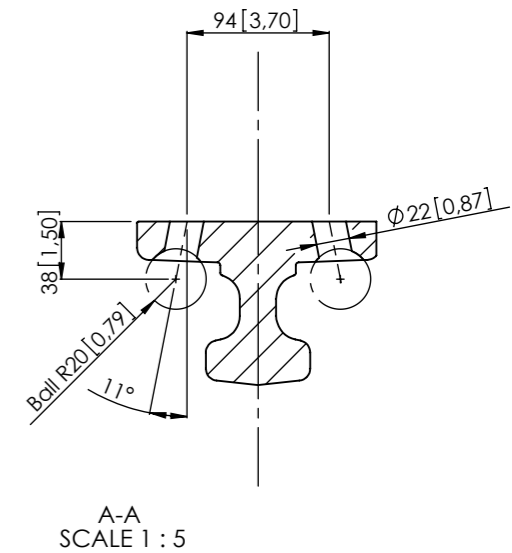
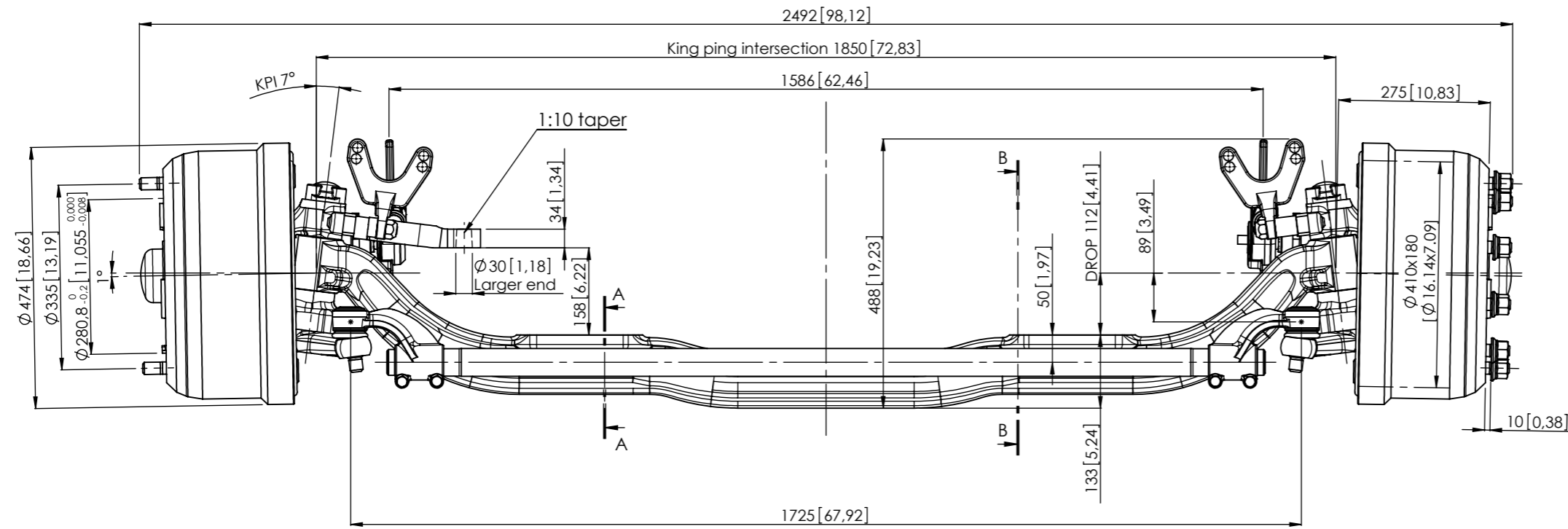
All ratings are nominal. Actual capacities determined based upon review of application data by Sisu Axles Inc.

<b>OPTIONS:</b>	Hole Patterns	Wheel Stud Length
	Wheel Nuts	Brake Chambers
	ABS Provision	Steering Arm Configurations
	Top Coating	Slack Adjuster Types

---

Other options may be available. Contact Sisu Axles sales for more information.

---



<p>THIS DRAWING AND THE INFORMATION CONTAINED HEREIN IS PROPRIETARY TO SISU AXLES INC. IT SHALL NOT BE REPRODUCED, COPIED OR DISCLOSED IN WHOLE OR IN PART, OR USED FOR MANUFACTURE OF FOR OTHER PURPOSE WITHOUT THE WRITTEN PERMISSION OF SISU AXLES INC.</p>	Scale <b>1:10</b> DO NOT SCALE DRAWING	Material	Product <b>FSND08S</b>	
	Dimensions mm	Drawn <b>JALI</b>	Date <b>28.05.2007</b>	Approved Date
		Title <b>Dimension drawing</b>		Weight kg
		Steering		
		Non-drive Drawing n:o	Rev.	Sheet Drawing size
		<b>M540-029-0018</b>	<b>B</b>	<b>1/1 A3</b>

B	Axle beam updated	MIMU	23.02.2012	NIAH	24.02.2012
REV.	DESCRIPTION	CHANGED	CHANGED DATE	APPROVED	APPROVED DATE