

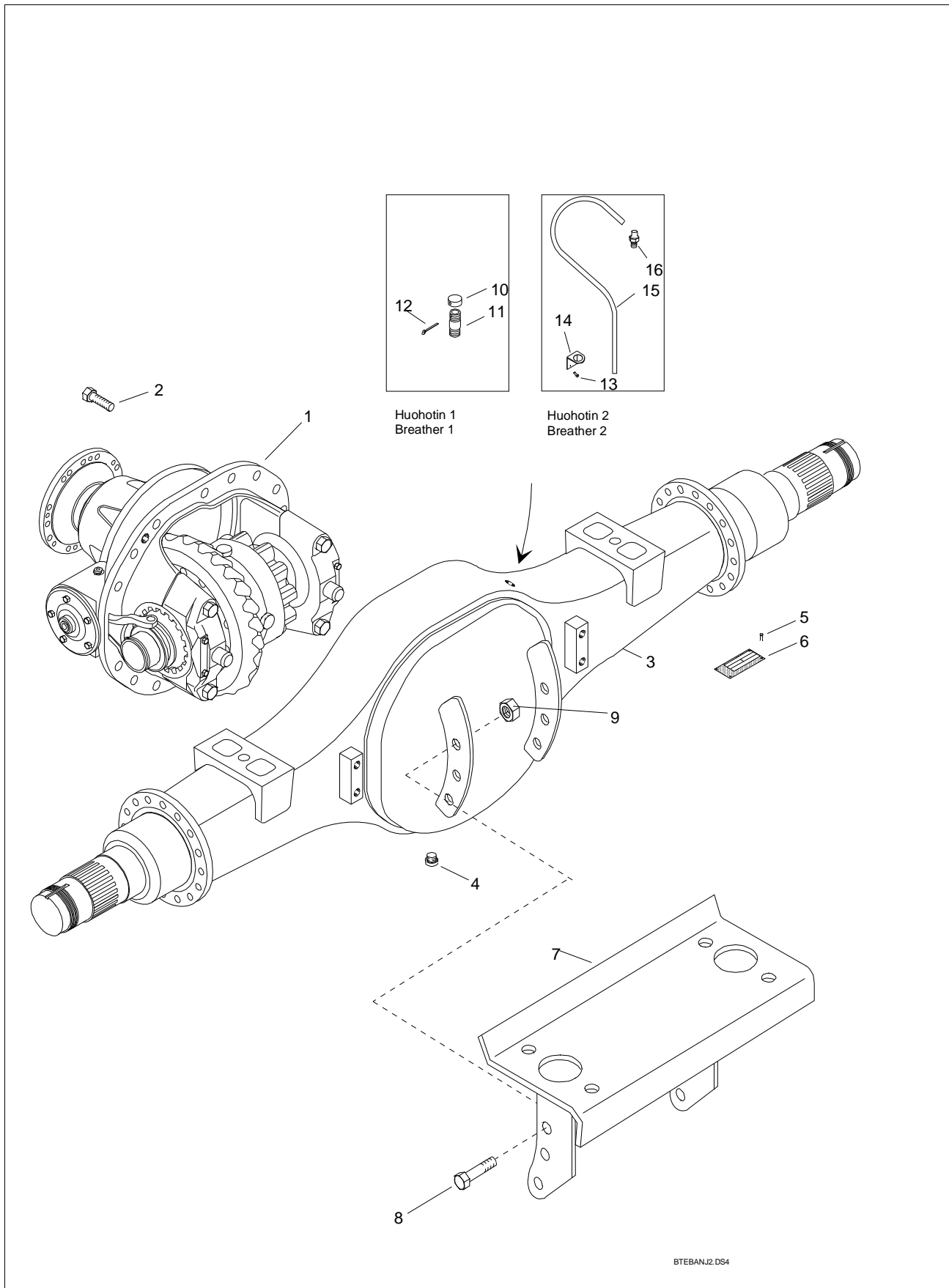
SISU AXLES

SPARE PARTS BOOK

**Rear Axle
FRDP
FRDP-10-S (CTI)**

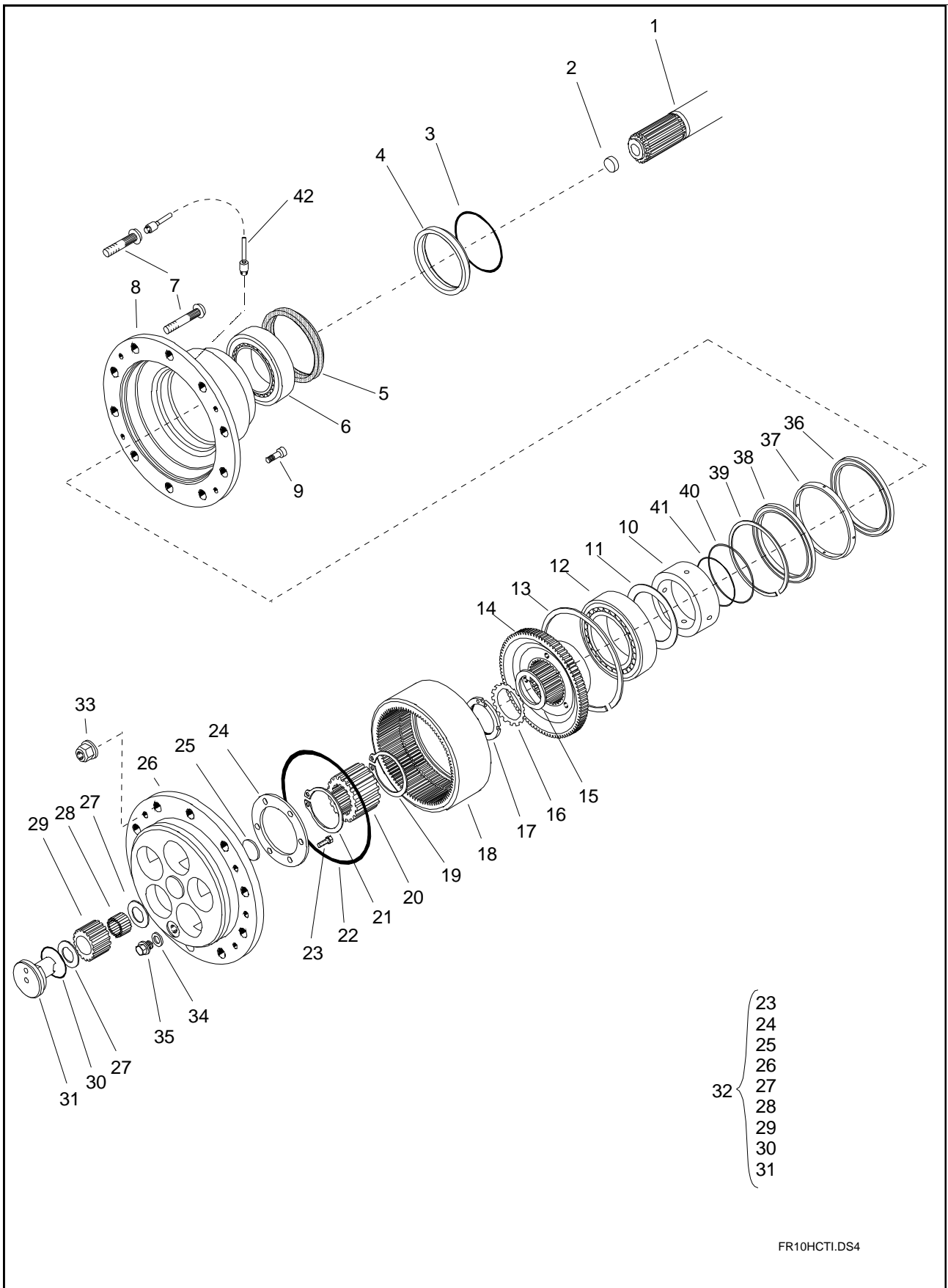
Book No. 310 (10/2006)

Sisu Axles, Inc.
Autotehtaan tie 1
PO Box 189
FIN-13101 Hämeenlinna
Finland
Phone +358 204 55 2999
Fax +358 204 55 2900



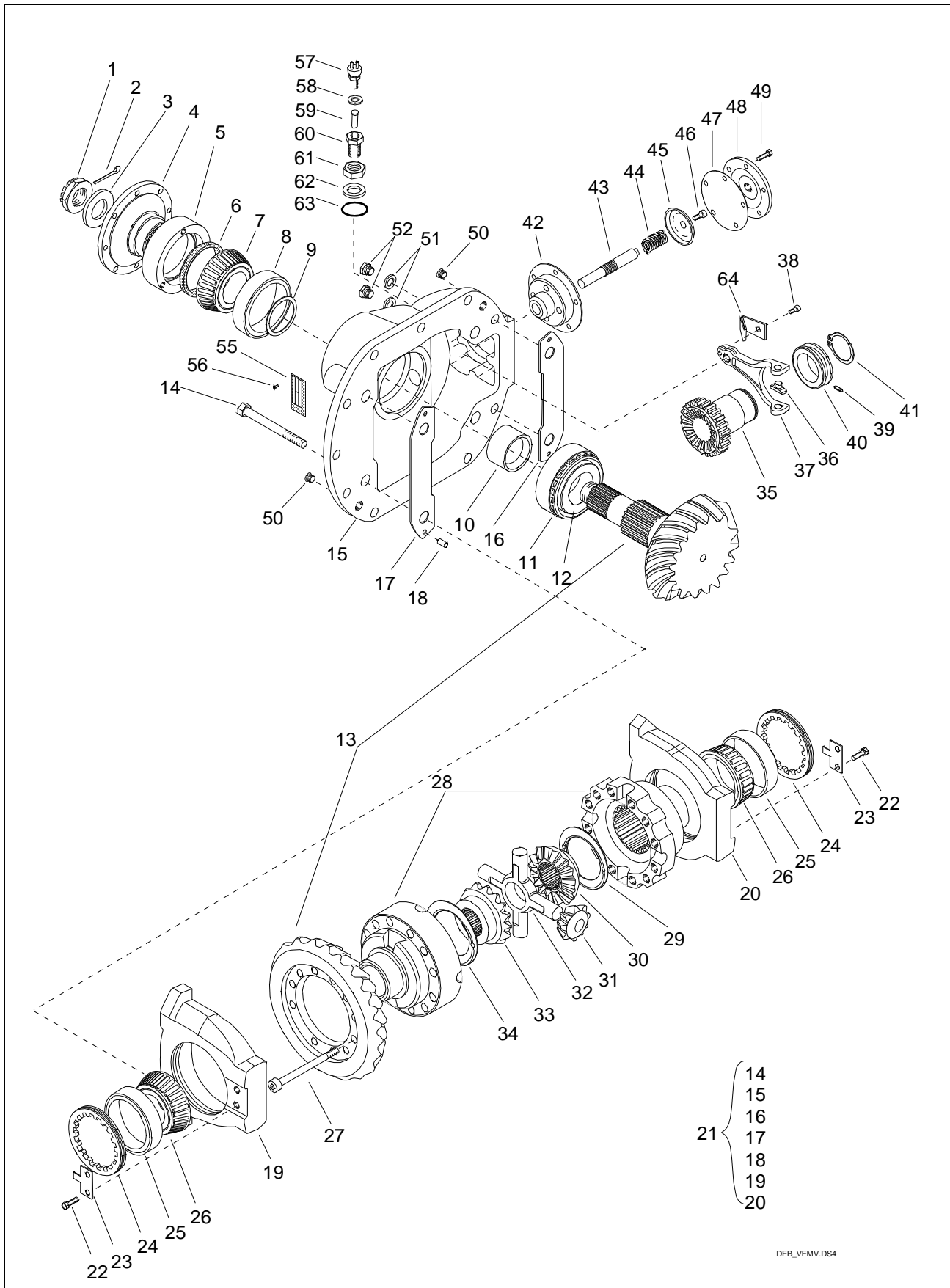
BTEBANJ2.DS4

Item	Qty.	Order no.	Description	Note
1	1	543-202-8015	Diff. Carrier Assembly	FR 4.63, ISO 8667-T180 flange
1	1	543-202-8355	Diff. Carrier Assembly	FR 5.27, ISO 8667-T180 flange
2	16	90303-16407	Hex Screw	M16x40, 10.9
3	1	543-116-7710	Axle Housing	
4	1	90873-22109	Oil plug	M22x1.5 - DIN908, Allen head, magnetic
4	1	91201-22150	Seal ring	D22/27x1.5 Cu
5	4	90111-29054	Rivet	D2.9x5
6	1	591600-20823	Name plate	
7	1	546-721-7100	Chamber bracket	
7	30	90311-14508	Allen Screw	M14x50, 12.9
8	6	90303-14407	Hex Screw	M14x40
9	6	90550-14227	Nut	M14 self locking
10	1	179-842-0000	Breather Cover	
11	1	179-841-1000	Breather pipe	
12	1	90621-32253	Split pin	3.2x25
13	0	0		Not installed
14	0	0		Not installed
15	0	0		Not installed
16	0	0		Not installed

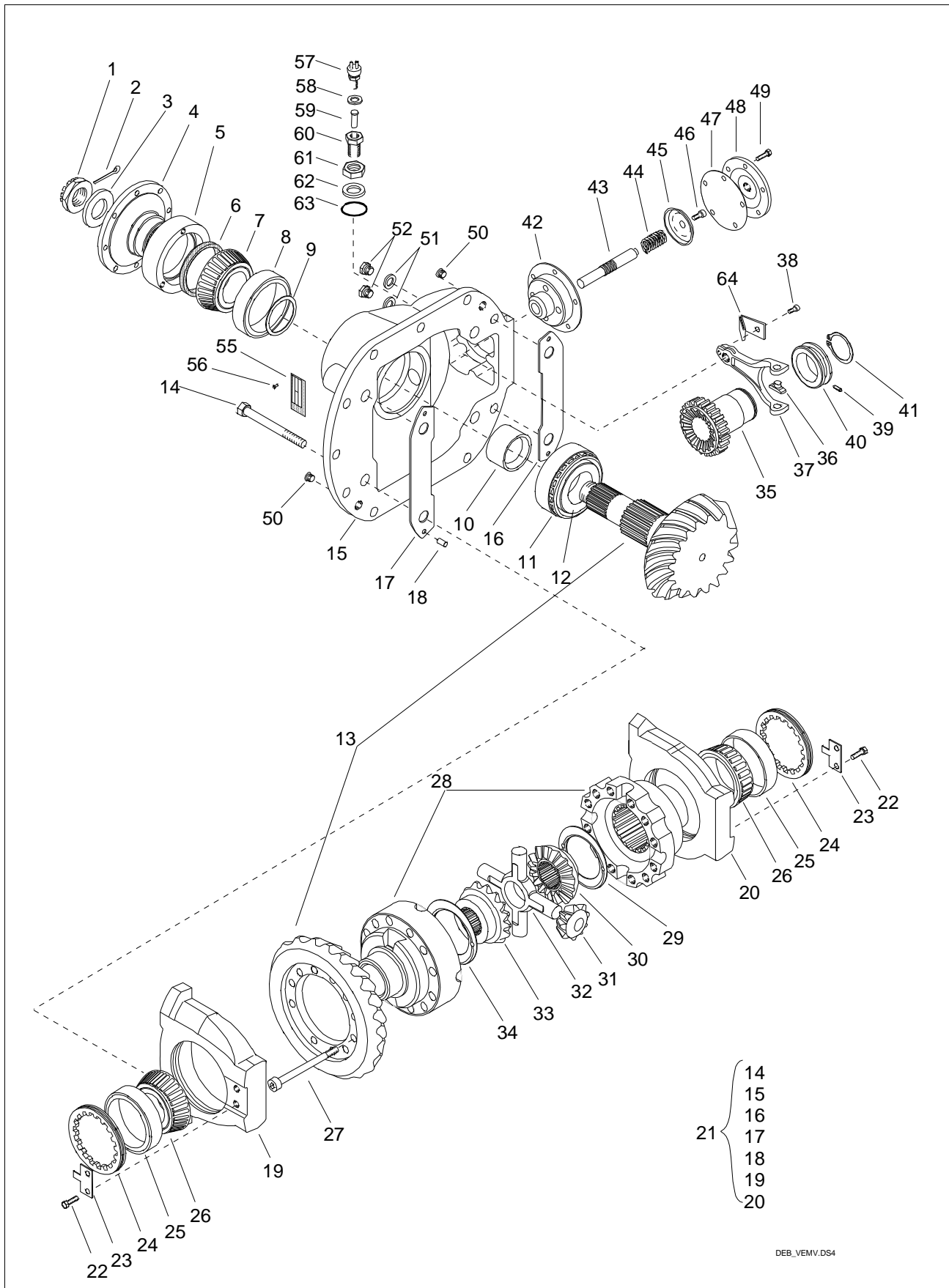


FR10HCTI.DS4

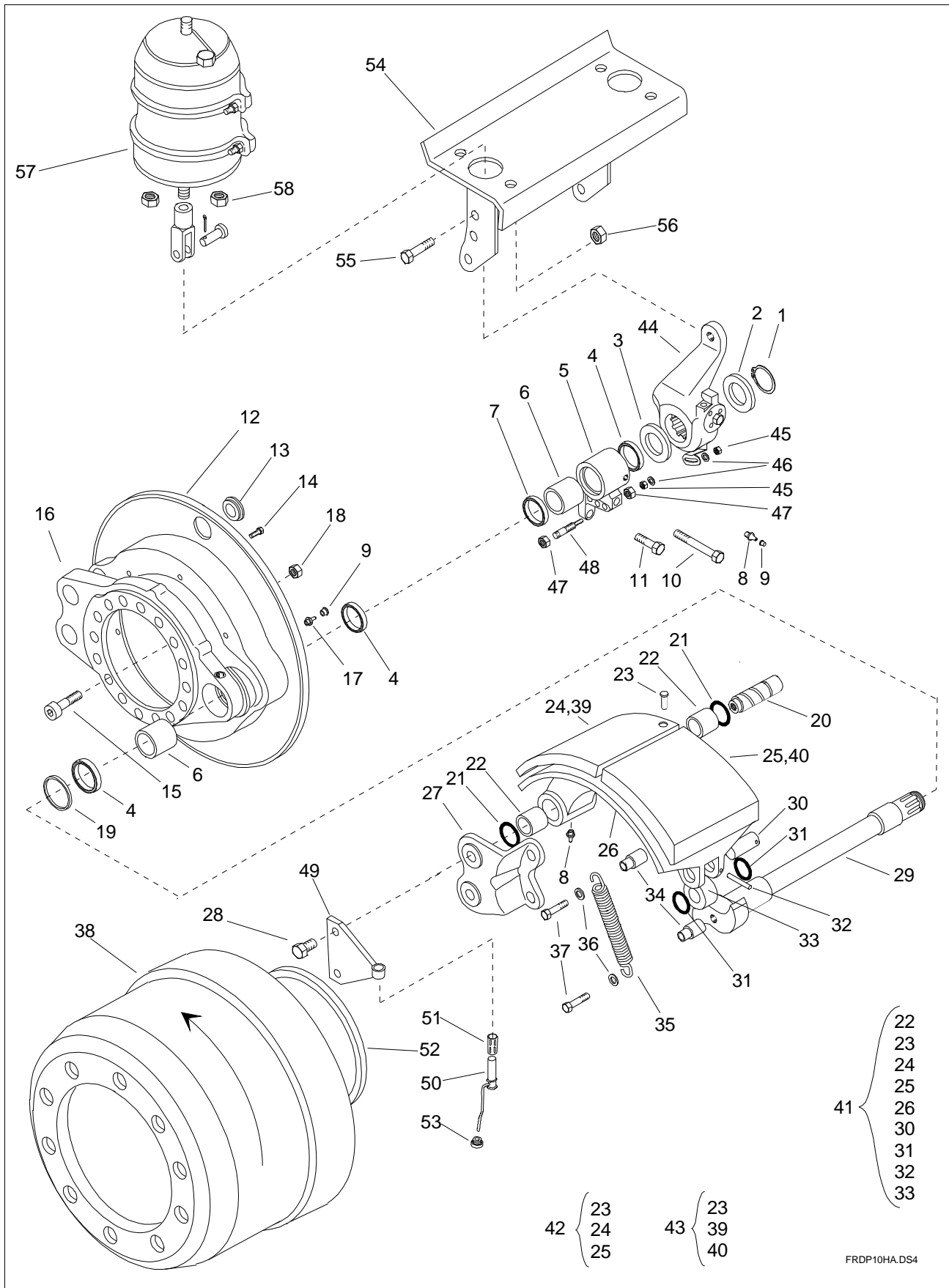
Item	Qty.	Order no.	Description	Note
1	2	143-511-5600	Axle Shaft	FRDP, L=1192.5, D48/ Z22
1	1	543-511-8900	Axle Shaft	FRMP, LH, L=1274.5, D48/ Z22
1	1	543-511-8910	Axle Shaft	FRMP, RH, L=1110.5, D48/ Z22
2	2	140-125-0100	Thrust pin	D25
3	2	91107-12042	O-ring	D120x4
4	2	140-415-1000	Spacer ring	D110/140x22
5	2	591122-14004	Shaft seal	D140/170x14,5/16
6	2	91744-01052	T. Roller bearing	
7	18	140-911-2510	Wheel bolt	L=93 mm, 12.9
7	18	540-911-3500	Wheel bolt	L=103 mm
7	2	540-911-3610	Wheel bolt	CTI, L=91mm, 12.9
7	2	540-911-3700	Wheel bolt	CTI, L=103 mm, 12.9
8	2	541-411-2400	Wheel hub	FR-10, ABS (100), CTI
9	8	90303-12303	Hex Screw	M12x30 - DIN 933 - 8.8
10	2	540-415-1800	Spacer ring	D125/89.5x41
11	ar	590731-09020	Shim	s=0.20 mm, D90x110, St
11	ar	590731-09030	Shim	s=0.30 mm, D90x110, St
11	ar	590731-09050	Shim	s=0.50 mm, D90x110, St
12	2	91744-01101	T. Roller bearing	
13	2	91720-22001	Retainer ring	D220x3
14	2	535-271-0800	Ring gear hub	
15	2	099-458-0010	washer	D80/100x2
16	2	099-458-0000	Lock washer	D80/112x1,75
17	2	90575-08040	Lock nut	M80x2
18	2	135-261-1600	Ring gear	
19	2	092-953-4710	Retainer ring	D47x1.5
20	2	135-211-1000	Sun gear	
21	2	092-953-4710	Retainer ring	D47x1.5
22	2	090-512-6500	O-ring	D265x2
23	10	90303-10203	Hex Screw	M10 x 20 - DIN 933 - 8.8
24	2	135-259-0110	Lock Washer	
25	2	141-581-0210	Thrust pin	
26	2	141-441-1100	Planet carrier	
27	20	090-353-5020	Spacer plate	D57/35x1.5
28	260	090-005-0530	Needle roller	D4.762x28.5
29	10	135-241-1000	Planet gear	
30	10	91100-76025	O-ring	D76x2.5
31	10	135-251-1000	Planet gear shaft	
32	2	141-404-0121	Planetary gear	
33	20	540-916-1610	Wheel nut	M22x1.5
34	2	91201-22150	Seal ring	D22/27x1.5 Cu
35	2	90871-22193	Plug screw	Hex head
36	2	591122-12501	Shaft seal	D125/145x7.5/11,3
37	2	540-415-1810	Spacer ring	D145/137x14.5
38	2	591122-12501	Shaft seal	D125/145x7.5/11,3
39	2	591720-14501	Retainer ring	FK7-ESB - D145/6.0x1.5
40	2	591107-01222	O-ring	VITON Ø101.27x2.62
41	2	591106-85022	O-ring	VITON Ø85x2
42	2	579-615-0900	Pipe	CTI, including fittings



Item	Qty.	Order no.	Description	Note
1	1	099-233-3000	Nut	M33x1.5
2	1	90621-04503	Split pin	D4x50
3	1	90705-33043	washer	D33/56x3.5
4	1	538-917-2601	Flange	ISO 8667 T-180, nitrided
5	1	143-234-0210	Seal housing	
6	1	090-500-6501	Shaft seal	D65/90x10
7	1	090-110-5150	Bearing inner race	
8	1	090-121-1310	Bearing outer race	
9	ar	099-515-1066	Spacer ring	(s=0.3 mm)
9	ar	099-515-1067	Spacer ring	(s=0.4 mm)
9	ar	099-515-1068	Spacer ring	(s=0.5 mm)
10	ar	143-261-0111	Spacer ring	(l=30.20 mm)
10	ar	143-261-0113	Spacer ring	(l=30.24 mm)
10	ar	143-261-0115	Spacer ring	(l=30.28 mm)
11	1	090-121-2400	Bearing outer race	
12	1	090-110-6600	Bearing inner race	
13	1	143-240-2411	Ring and pinion gear set	22/28, Final Ratio 4.63, FSDP, RH
13	1	143-240-2451	Ring and pinion gear set	20/29, Final Ratio 5.27, FSDP, RH
13	1	143-240-4411	Ring and pinion gear set	22/28, FR 4.63, FRDP, LH
13	1	143-240-4451	Diff. Carrier Assembly	20/29, FR 5.27, FRDP, LH
14	4	90311-20218	Allen Screw	M20x110, 12.9
15	1	143-211-1480	Diff. Carrier Housing	Not serviced separately
16	ar	144-239-1710	Shim	(s=1.00 mm)
16	ar	144-239-1711	Shim	(s=0.50 mm)
16	ar	144-239-1712	Shim	(s=0.20 mm)
16	ar	144-239-1713	Shim	(s=0.10 mm)
17	ar	144-239-1800	Shim	(s=1.00 mm)
17	ar	144-239-1801	Shim	(s=0.50 mm)
17	ar	144-239-1802	Shim	(s=0.20 mm)
17	ar	144-239-1803	Shim	(s=0.10 mm)
18	4	590604-08141	Pin	Ø8x14
19		143-217-0080	Bearing housing	Not serviced separately
20		143-217-0180	Bearing housing	Not serviced separately
21	1	143-210-1311	Differential Carrier	
22	4	90303-08103	Hex Screw	M8x10
23	2	143-227-0202	Lock Washer	
24	2	143-226-1100	Adjusting nut	D136x12 (5 11/32-12-2A)
25	2	090-121-3200	Bearing outer race	
26	2	090-110-7610	Bearing inner race	
27	12	90311-16908	Allen Screw	M16x90
28	1	143-310-1621	Diff. case assy	
29	1	143-356-0310	Thrust washer	D81/115x1.5
30	1	143-351-3110	Side gear	
31	4	143-341-1600	Pinion gear	
32	1	143-331-1601	Spider	Standard
33	1	143-351-2800	Side gear	
34	1	090-356-7000	Thrust washer	D66.5/100x1.5



Item	Qty.	Order no.	Description	Note
35	1	144-341-1400	Sliding Gear	
36	2	133-348-0710	Sliding shoe	
37	1	144-751-1000	Control fork	
38	1	90313-06208	Allen Screw	M6x20
39	1	90335-05108	Stopping screw	M5x10
40	1	144-348-0010	Sliding ring	
41	1	91711-05600	Retainer ring	D56x2
42	1	144-732-0200	Shaft housing	
43	1	172-212-1410	Sliding Shaft	
44	1	097-122-0100	Return spring	
45	1	172-361-0410	Push plate	
46	1	90319-08206	Screw	M8x20
47	1	172-351-1202	Membrane	
48	1	144-736-0300	Cover	W/o diff lock
48	1	172-161-0700	Membrane cover	M18x1.5, up to S/N 60200 (2/1996)
48	1	172-161-0701	Membrane cover	M16x1.5, since S/N 60201 (2/1996)
48	1	572-161-1501	Membrane cover	M16x1.5, side connection, since S/N 60201 (2/1996)
49	5	90303-08303	Hex Screw	M8x30
50	2	91425-13120	Shield plug	
51	2	91201-22150	Seal ring	D22/27x1.5 Cu
52	2	90871-22193	Plug screw	M22x1.5, hex head
55	1	91600-20811	Name plate	
56	4	90111-29054	Rivet	D2.9x5
57	1	186-490-0281	Signal Lamp Switch	M12x1.5
58	1	91201-12150	Seal ring	D12/18x1.5
59	1	141-812-0100	Control pin	
60	1	141-812-0000	Binding screw	M12x1.5/M18x1.5
60	1	90871-18173	Plug screw	W/o diff lock indicator switch
60	1	91201-18150	Seal ring	W/o diff lock indicator switch
61	1	91842-18243	Lock Nut	M18x1.5
62	1	91838-18010	Pressure ring	Ms DR/R 18x23
63	1	91838-18100	O-ring	Ø16x2.5
64	1	141-812-0010	Guide plate	



Item	Qty.	Order no.	Description	Note
1	2	91712-04000	Retainer ring	D40x2.5
2	2	91726-43065	Support ring	D43/65x3
3	2	91726-43065	Support ring	D43/65x3
4	6	91122-04201	Shaft seal	D42/55x8
5	1	146-224-2310	Bearing housing	LH
5	1	146-224-2400	Bearing housing	RH
6	4	590-314-2062	Sleeve	D42/48x36
7	2	91122-04202	Shaft seal	D42/55x7
8	6	91402-10003	Grease nipple	M10x1, Straight
9	4	91421-06060	Shield hat	
10	2	90301-16117	Hex Screw	M16x100
11	2	90303-16407	Hex Screw	M16x40
12	2	146-131-2110	Dust Shield	180 mm
13	4	095-553-2000	Shield plug	D33/44
14	14	90303-08123	Hex Screw	M8x12
15	28	90313-14458	Allen Screw	M14x45
16	2	546-111-3700	Brake Bracket	
17	2	91402-10453	Grease nipple	M10x1, 45°
18	24	90550-14227	Nut	M14 self locking
19	2	91726-43065	Support ring	D43/65x3
20	4	546-341-1300	Anchor bolt	With grease boring
21	8	91106-36212	O-ring	D36,2x3 Viton
22	8	590-313-2091	Sleeve	D32/36x25
23	96	91501-00819	Rivet	
24	4	546-361-6112	Brake lining	180 mm, DB5010, not serviced separately
25	4	546-361-6012	Brake lining	180 mm, DB5010, not serviced separately
26	4	546-351-4600	Brake shoe	180 mm, with grease nipple
27	2	546-331-0610	Anchor support	M14 threads
28	4	90303-10203	Hex Screw	M10x20
28	4	90303-10303	Hex Screw	ABS, M10x30
29	1	546-213-1600	S-cam shaft	RH, L=800
29	1	546-213-1700	S-cam shaft	LH, L=800
30	4	146-373-0201	Pin	D25x50
31	8	91106-25232	O-ring	D25.2x3
32	4	90602-05450	Spring cotter	D5x40
33	4	546-371-0710	Roller	o-ring sealing
34	6	599-601-8900	Bush	D12/20/25x36
35	4	92052-30002	Return spring	D30x165.5
36	6	90705-13023	washer	D13/24x2.5
37	6	90303-12603	Hex Screw	M12x60
38	2	546-311-8111	Brake drum	D410x180 mm
41	4	546-306-0252	Brake shoe assy	180 mm, DB5010, with grease nipple
42	ar	546-360-3012	Brake lining set	180mm, DB5010, for one wheel
44	1	546-530-2011	Slack adjuster	LH, L=165, offset 75, DIN
44	1	546-530-2021	Slack adjuster	RH, L=165, offset 75, DIN
45	4	90502-08133	Nut	M8
46	4	90705-08423	washer	D8.4/17x1.6
47	4	90502-12193	Nut	M12
48	2	90177-01203	Stud bolt	M12/M8, L=94
49	2	094-200-6010	Bracket	ABS, For wire fastening, not shown in picture
49	2	589-931-1100	Bracket	ABS
49	4	90111-29054	Rivet	ABS, For wire fastening, not shown in picture
50	2	589-250-0081	Sensor	ABS, Knorr, protected wire
51	2	189-295-0000	Bush	ABS
52	2	189-291-0200	Ring gear	100 Teeth, ABS
53	2	592235-17101	Rubber bushing	D10/17, for Knorr sensor
54	1	546-721-7100	Chamber bracket	
55	6	90303-14407	Hex Screw	M14x40
56	6	90550-14227	Nut	M14 self locking
57		0		Not installed
58		0		Not installed