

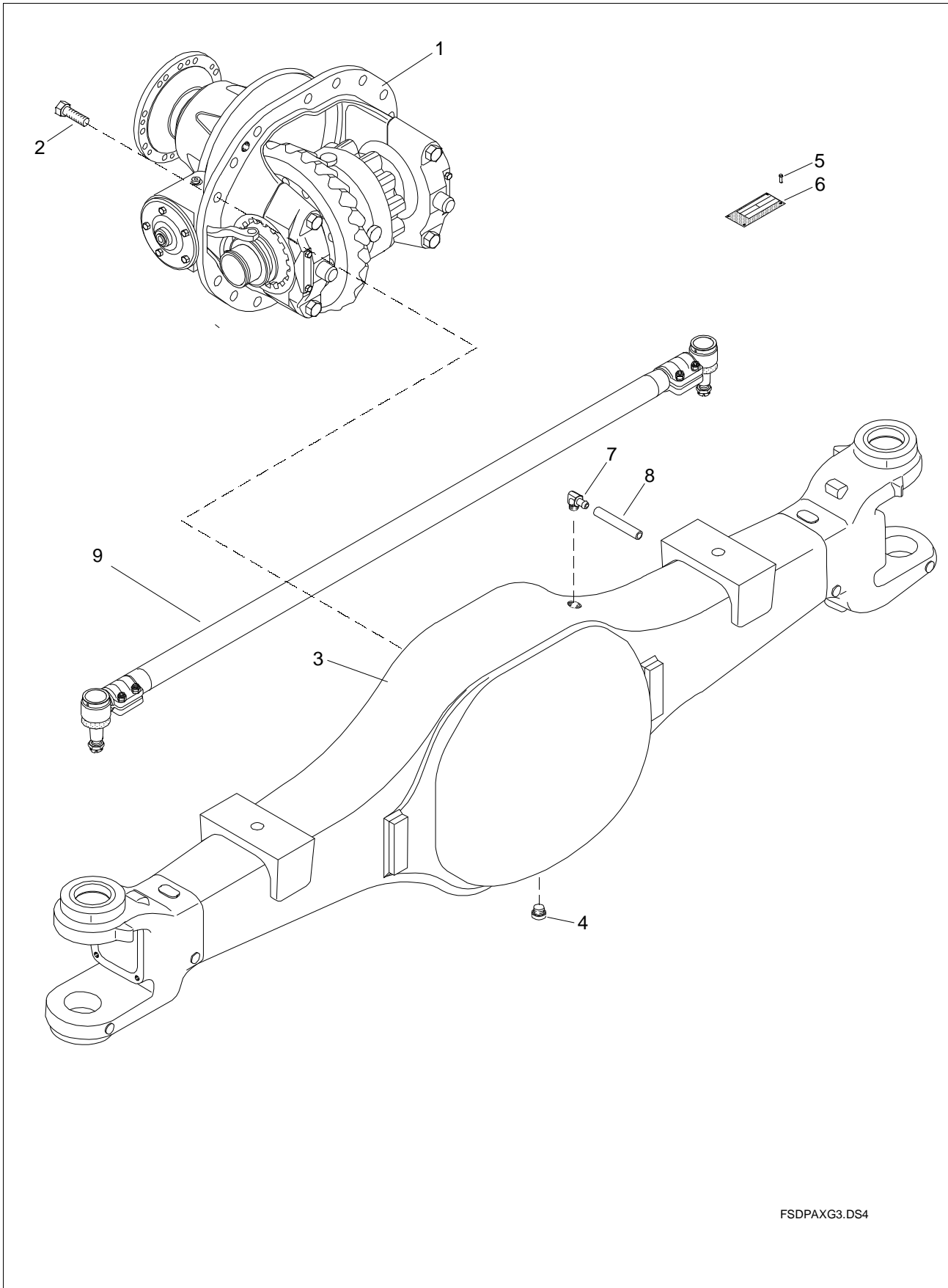
# **SISU AXLES**

## **SPARE PARTS BOOK**

**Front Axle  
FSDP-14-G**

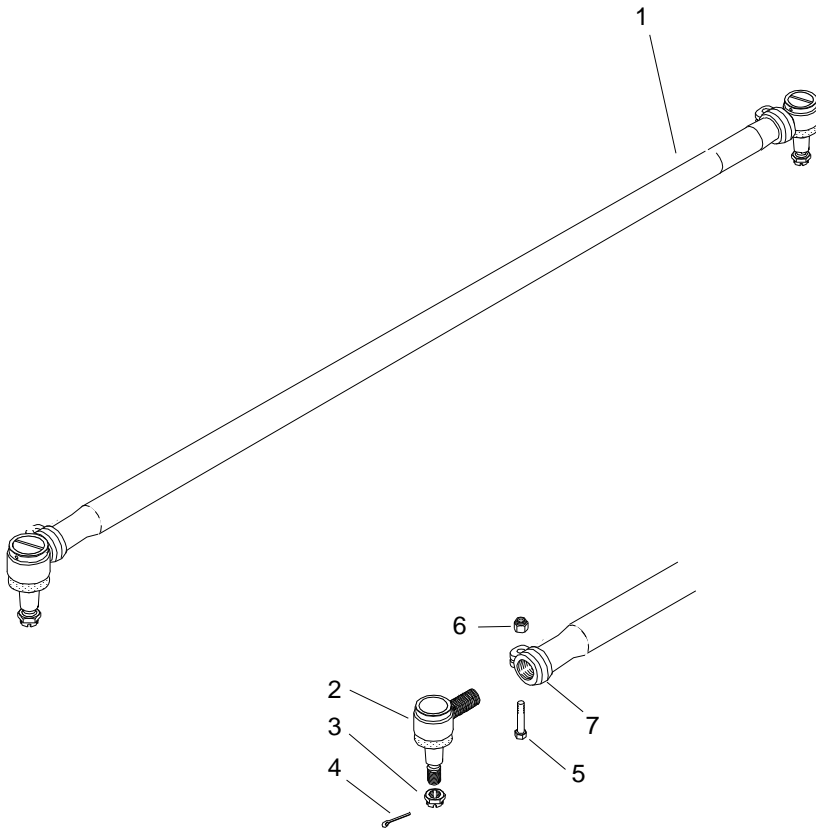
**Book No. 211 (11/2009)**

*Sisu Axles, Inc.*  
Autotehtaan tie 1  
PO Box 189  
FIN-13101 Hämeenlinna  
Finland  
Phone +358 204 55 2999  
Fax +358 204 55 2900



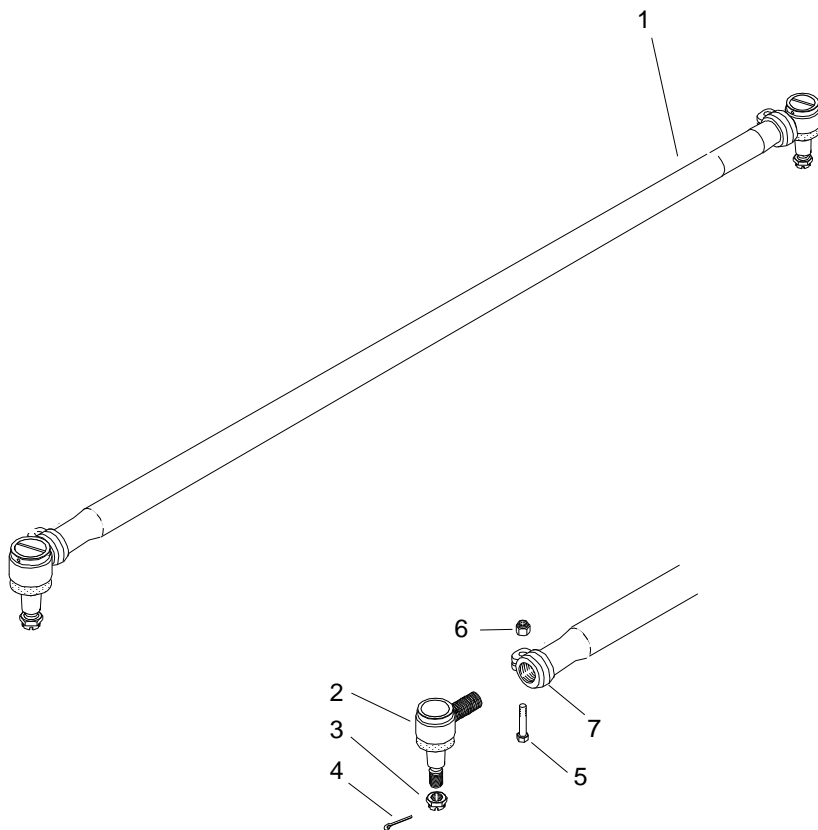
FSDPAXG3.DS4

Item	Qty.	Order no.	Description	Note
1		<b>N1</b>	Note	Diff Carrier Assemblies on Separate Pages
2	16	<b>90303-16407</b>	Hex Screw	M16x40, 10.9
3	1	<b>101-0110-342</b>	Axle housing	Track 2360, Caster 2 deg.
3	1	<b>541-113-3810</b>	Axle housing	Track 2360, hydraulic steering
3	1	<b>541-113-3900</b>	Axle housing	Track 2580
3	1	<b>543-116-2100</b>	Axle housing	Track 2360
4	1	<b>90831-24139</b>	Oil plug	R 3/4", Up to No. 00702, 2/2000
4	1	<b>90873-22109</b>	Oil plug	M22x1.5, since No 00703, 2/2000
4	1	<b>91201-22150</b>	Seal ring	Cu, since No 00703, 2/2000
5	4	<b>90111-29054</b>	Rivet	D2.9x5
6	1	<b>591600-20823</b>	Name plate	
7	1	<b>179-841-1000</b>	Breather pipe	
7	1	<b>179-842-0000</b>	Breather Cover	
7	1	<b>90621-32253</b>	Split pin	3.2x25
9	1	<b>540-201-9762</b>	Tie rod assy	L=1400 mm, straight, 2360 mm track
9	1	<b>540-201-9851</b>	Tie rod assy	L=1620 mm, straight, 2580 mm track
9	1	<b>540-201-9871</b>	Tie rod assy	L=1450, Drop 90, 2580 track



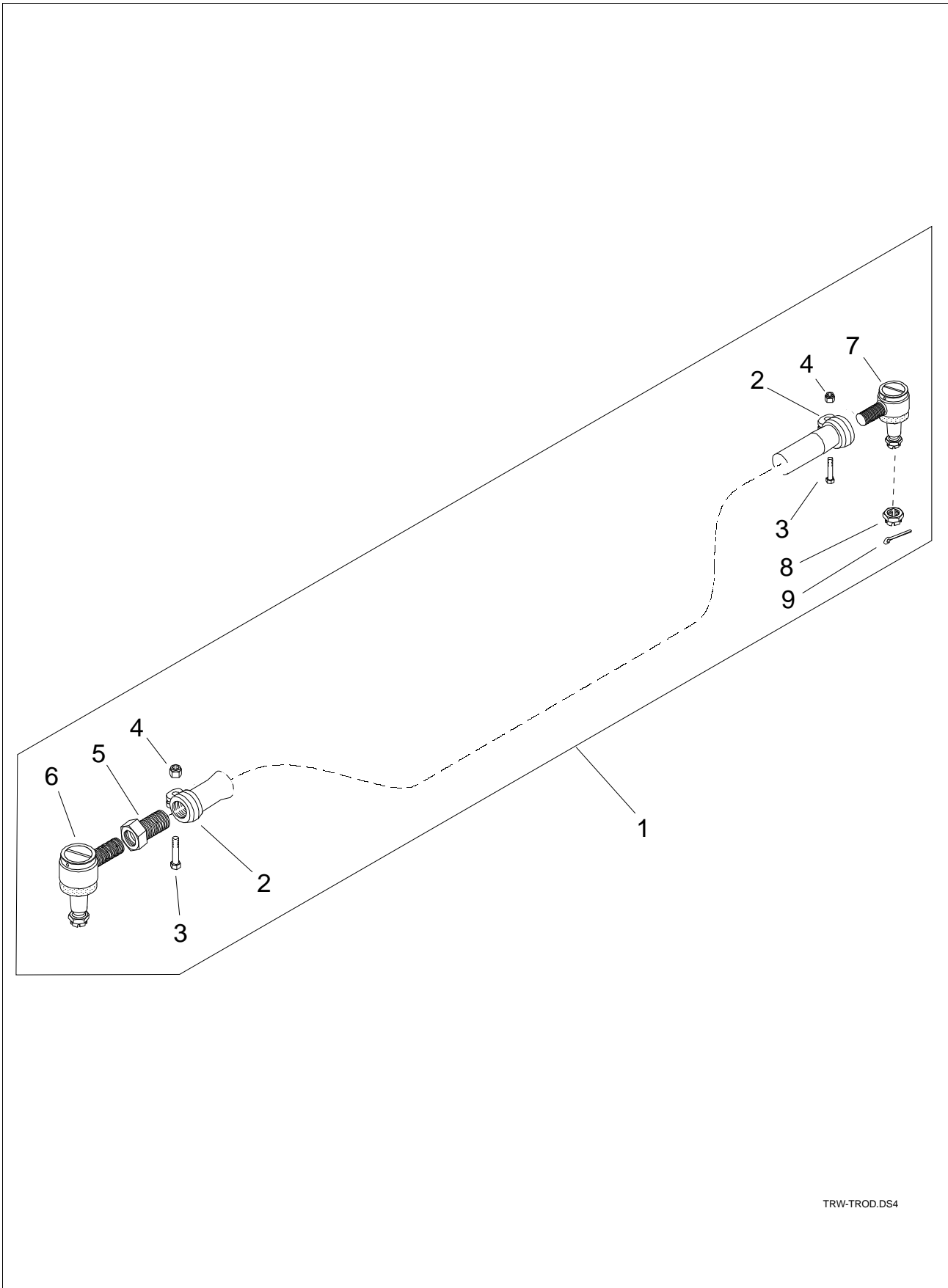
TRWSTRO4.DS4

Item	Qty.	Order no.	Description	Note
1	1	<b>540-201-9762</b>	Tie rod assy	1400 mm, complete
2	1	<b>560-530-0511</b>	Ball Joint Assembly	RH, D50, M38x1.5
2	1	<b>560-530-0521</b>	Ball Joint Assembly	LH, D50, M38x1.5
3	2	<b>590546-30463</b>	Nut	M30x1.5
4	2	<b>90621-63633</b>	Split pin	6.3x63
5	2	<b>590321-12707</b>	Hex Screw	M12x1.5x70, DIN 960, 10.9
6	2	<b>590556-12197</b>	Nut	M12x1.5, DIN 980, 10
7	1	<b>606-0800-303</b>	Clamp	40 mm diameter



TRWSTRO4.DS4

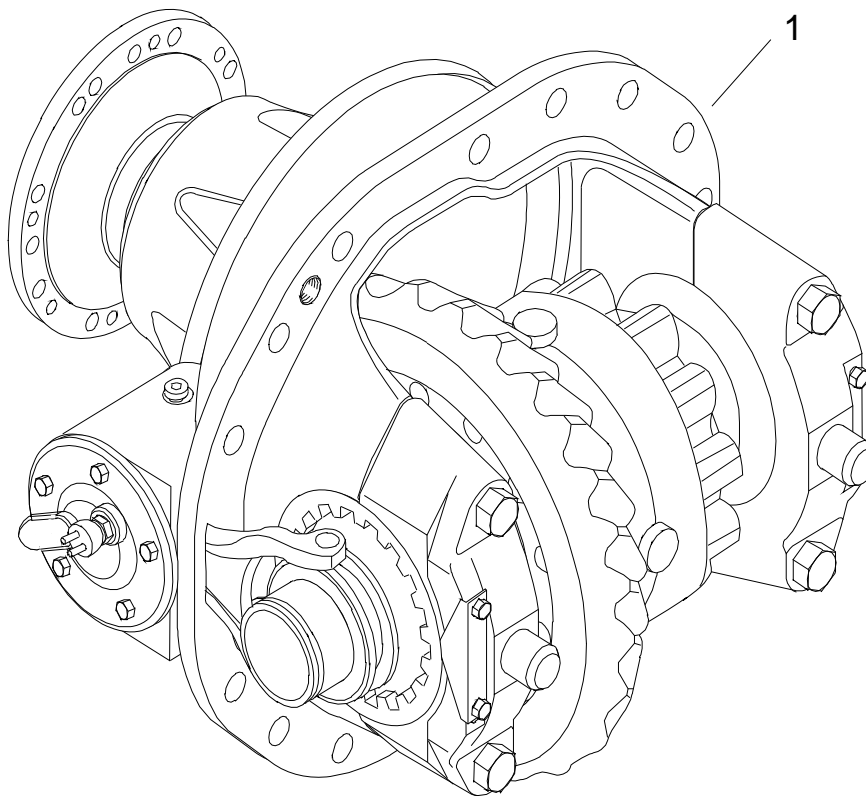
Item	Qty.	Order no.	Description	Note
1	1	<b>540-201-9851</b>	Tie rod assy	L=1620 mm, straight, complete
2	1	<b>560-530-0511</b>	Ball Joint Assembly	RH, D50, M38x1.5
2	1	<b>560-530-0521</b>	Ball Joint Assembly	LH, D50, M38x1.5
3	2	<b>590546-30463</b>	Nut	M30x1.5
4	2	<b>90621-63633</b>	Split pin	D6.3x63
5	2	<b>590321-12707</b>	Hex Screw	M12x1.5x70, DIN 960, 10.9
6	2	<b>590556-12197</b>	Nut	M12x1.5, DIN 980, 10
7	1	<b>606-0800-303</b>	Clamp	40 mm diameter



TRW-TROD.DS4

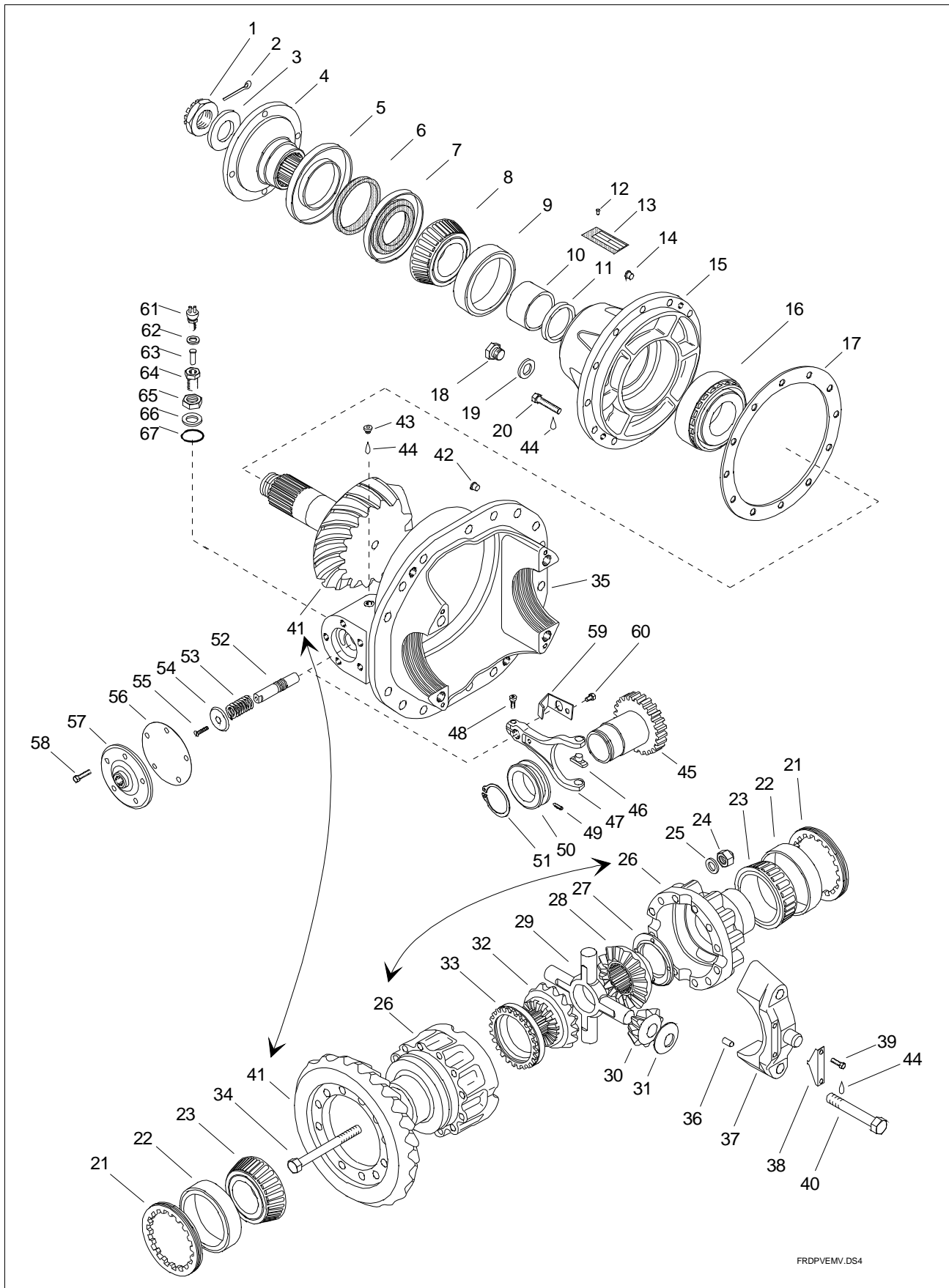


Item	Qty.	Order no.	Description	Note
1	1	<b>540-201-9871</b>	Tie rod assy	L=1450 mm, drop 90 mm, complete
2	2	<b>594-104-1110</b>	Clamp	50 mm diameter
3	2	<b>590321-14807</b>	Hex Screw	M14x1.5x80, DIN 960, 10.9
4	2	<b>590556-14227</b>	Nut	M14x1.5, DIN 980, 10
5	1	<b>540-216-0300</b>	Adj. piece	M38x1.5LH/M30x1.5RH
6	1	<b>560-530-0711</b>	Ball Joint Assembly	RH, D50, M30x1.5
7	1	<b>560-530-0511</b>	Ball Joint Assembly	RH, D50, M38x1.5
8	2	<b>590546-30463</b>	Nut	M30x1.5
9	2	<b>90621-63633</b>	Split pin	D6.3x63



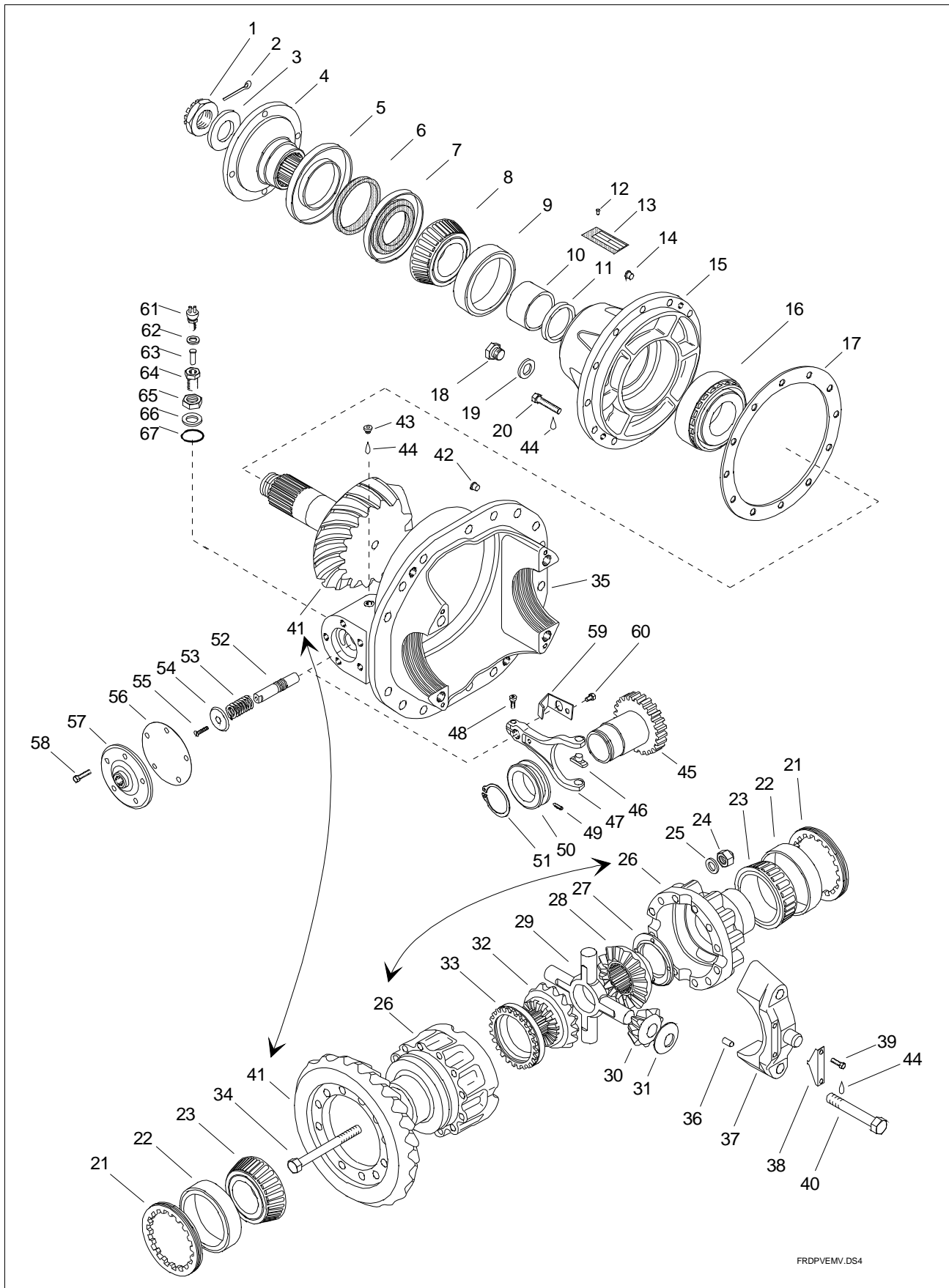
DP330COM.DS4

Item	Qty.	Order no.	Description	Note
1	1	<b>543-203-2151</b>	Diff. Carrier Assembly	FR 8.79, diff. lock, HS1700-1800 flange
1	1	<b>543-203-2529</b>	Diff. Carrier Assembly	FR 6.36, w/o diff. lock, HS1700-1800 flange
1	1	<b>543-203-2551</b>	Diff. Carrier Assembly	FR 8.79, w/o diff. lock, HS1700-1800 flange
1	1	<b>543-203-2581</b>	Diff. Carrier Assembly	FR 10.55, w/o diff. lock, HS1700-1800 flange
1	1	<b>543-203-3021</b>	Diff. Carrier Assembly	FR 5.54, w/o diff. lock, HS1700-1800 flange
1	1	<b>543-203-3787</b>	Diff. Carrier Assembly	FR 9.51, diff. lock, ISO 8667-T180 flange
1	1	<b>543-203-3789</b>	Diff. Carrier Assembly	FR 9.51, diff. lock, HS1700-1800 flange
1	1	<b>543-203-8351</b>	Diff. Carrier Assembly	FR 8.79, HS1700/1800, w/o diff lock, 180°
1	1	<b>543-203-8451</b>	Diff. Carrier Assembly	FR 8.79, HS1700/1800, w/o lock, CCW input, 180°



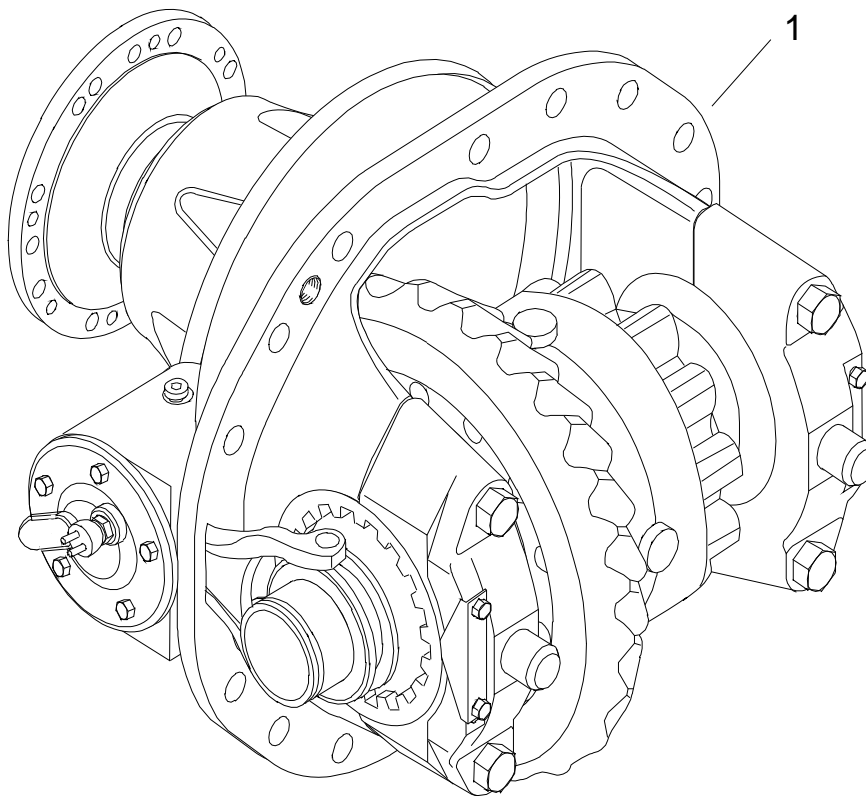
FRDPVEMV.DS4

Item	Qty.	Order no.	Description	Note
1	1	90546-42653	Nut	M42x1.5
2	1	90621-63633	Split pin	6.3x63
3	1	90705-43069	washer	D43/80x6
4	1	138-918-0400	Flange	HS1700-1800
4	1	138-918-0401	Flange	ISO 8667 - T180
5	1	090-711-9000	Shield	
6	1	090-400-9500	V-ring	VS-95, Up to serial No 133452 (12/2003)
7	1	591122-08508	Shaft seal	D85/140x13/20, Since serial No 133453 (12/2003)
7	1	91122-08504	Shaft seal	D85/140x13, Up to serial No 133452 (12/2003)
8	1	090-110-6740	Bearing inner race	
9	1	090-121-3700	Bearing outer race	
10	ar	099-557-1026	Spacer ring	(l=53.70)
10	ar	099-557-1028	Spacer ring	(l=53.74)
10	ar	099-557-1030	Spacer ring	(l=53.78)
11	ar	099-517-1000	Shim	(s=0.30)
11	ar	099-517-1001	Shim	(s=0.40)
11	ar	099-517-1002	Shim	(s=0.50)
12	4	90111-29054	Rivet	D2.9x5
13	1	91600-20811	Name plate	
14	2	91425-09100	Shield plug	
15	1	144-231-0502	Bearing housing	
16	1	090-050-7001	T. Roller bearing	
17	ar	144-239-1400	Shim	(s= 0.50 mm)
17	ar	144-239-1401	Shim	(s= 0.20 mm)
17	ar	144-239-1403	Shim	(s= 0.10 mm)
17	ar	144-239-1404	Shim	(s= 1.00 mm)
18	1	90873-22103	Plug	M22x1.5, Allen head
19	1	91201-22152	Seal ring	D22/27x1.5 Al
20	14	90303-12308	Hex Screw	M12x30
21	2	143-226-0012	Adjusting nut	D149
22	2	090-121-4700	Bearing outer race	
23	2	090-110-9000	Bearing inner race	
24	12	90556-16247	Nut	M16x1.5
25	12	099-601-8110	washer	D17/28x6
26	1	143-310-2711	Diff. case assy	
27	1	090-357-5000	Thrust washer	D75/111x3
28	1	543-351-4210	Side gear	D55/Z26
29	1	143-331-0603	Spider	
30	4	143-341-0700	Pinion gear	
31	4	143-345-0400	Thrust washer	D29/65x1.5
32	1	543-351-4200	Side gear	D55/Z26
33	1	143-357-0000	Sliding Ring	
34	12	099-116-3230	Hex Screw	M16x1.5, L=193, 12.9
35	1	143-210-1511	Differential Carrier	
36	4	590604-08141	Pin	Ø8x14
37		143-214-2180	Bearing Case Half	Not Servised Separately
38	2	143-227-0610	Lock plate	
39	4	90303-08103	Hex Screw	M8x10
40	4	90301-20377	Hex Screw	M20x130
41	1	143-240-1821	Ring and pinion gear set	17/26, FR 5.56, LH
41	1	143-240-1829	Ring and pinion gear set	16/28, FR 6.36, LH
41	1	143-240-1831	Ring and pinion gear set	24/27 FR 4.09, LH
41	1	143-240-1851	Ring and pinion gear set	12/29, FR 8.79, LH
41	1	143-240-1881	Ring and pinion gear set	10/29, FR 10.54, LH
41	1	543-240-5711	Ring and pinion gear set	25/32, FR4.65, RH
41	1	543-240-5721	Ring and pinion gear set	21/32, FR 5.54, RH
41	1	543-240-5779	Ring and pinion gear set	23/31, FR 4.90, RH
41	1	543-240-5789	Ring and pinion gear set	13/34, FR 9.51, RH
41	1	543-240-5821	Ring and pinion gear set	17/26, Final Ratio 5.56, RH
41	1	543-240-5851	Ring and pinion gear set	12/29, FR 8.79, RH (ccw input)
41	1	543-240-5869	Ring and pinion gear set	7/36, Final Ratio 18.70, RH
41	1	543-240-7111	Ring and pinion gear set	25/32, FR 4.65, LH
42	2	91425-13120	Shield plug	



FRDPVEMV.DS4

Item	Qty.	Order no.	Description	Note
43	1	<b>90873-10053</b>	Plug screw	M10x1, Allen head
44		<b>95752-10010</b>	Thread locking compound	
45	1	<b>144-341-0900</b>	Sliding Gear	
46	2	<b>133-348-0710</b>	Sliding shoe	
47	1	<b>144-751-1210</b>	Control fork	without indicator switch
47	1	<b>544-751-1410</b>	Control fork	with indicator switch
48	1	<b>90313-06208</b>	Allen Screw	M6x20
49	1	<b>90335-05108</b>	Stopping screw	M5x10
50	1	<b>144-348-0000</b>	Sliding ring	
51	1	<b>91711-06500</b>	Retainer ring	D65
52	1	<b>172-212-1710</b>	Sliding Shaft	D16/20x125
53	1	<b>097-122-0100</b>	Return spring	D29.5x43
54	1	<b>172-361-0410</b>	Push plate	D70x12
55	1	<b>90319-08206</b>	Screw	M8x20
56	1	<b>172-351-1202</b>	Membrane	
56	1	<b>572-351-1204</b>	Membrane	Viton (optinal)
57	1	<b>144-736-0300</b>	Cover	Without diff. lock
57	1	<b>172-161-0700</b>	Membrane cover	M18x1.5
57	1	<b>172-161-0701</b>	Membrane cover	M16x1.5
57	1	<b>572-161-1501</b>	Membrane cover	M16x1.5, side connection
58	5	<b>90303-08203</b>	Hex Screw	M8x20
59	1	<b>541-812-0200</b>	Guide plate	with indicator switch
60	1	<b>90303-08123</b>	Hex Screw	M8x12, with indicator switch
61	1	<b>186-490-0281</b>	Signal Lamp Switch	M12x1.5
62	1	<b>91201-12150</b>	Seal ring	D12/18x1.5
63	1	<b>141-812-0100</b>	Control pin	D8/10x26
64	1	<b>141-812-0000</b>	Binding screw	M12x1.5/M18x1.5
65	1	<b>91842-18243</b>	Lock Nut	M18x1.5
66	1	<b>91838-18010</b>	Pressure ring	Ms DR/R 18x23
67	1	<b>91838-18100</b>	O-ring	Ø16x2.5



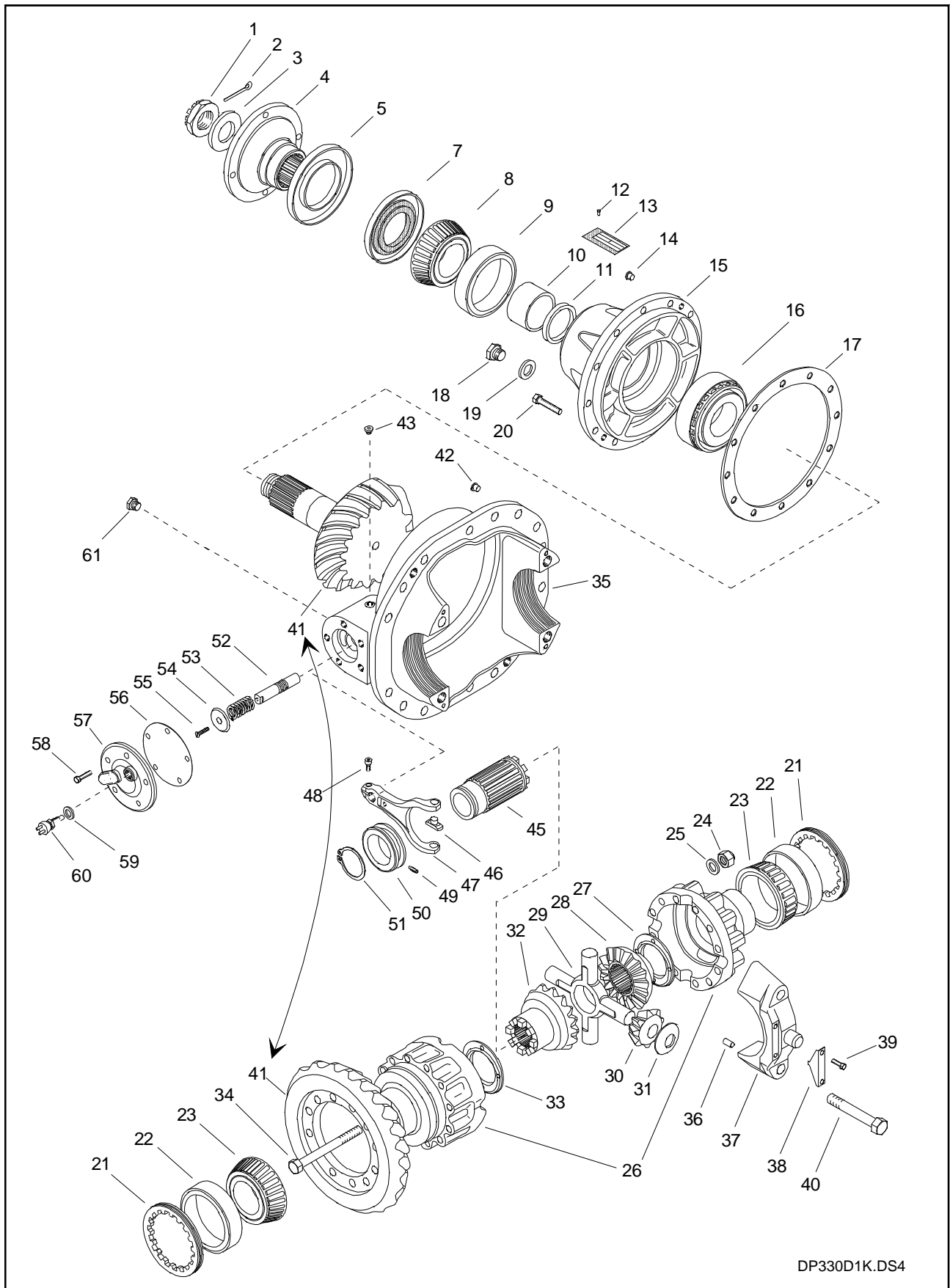
DP330COM.DS4



Item	Qty.	Order no.	Description	Note
1	1	<b>380-0205-305</b>	Diff. Carrier Assembly	FR 7.01, HS1700/1800, w/diff lock, 180°
1	1	<b>380-0205-306</b>	Diff. Carrier Assembly	FR 7.01, HS1700/1800, w/o lock, 180°
1	1	<b>380-0205-307</b>	Diff. Carrier Assembly	FR 6.36, HS1700/1800, w/diff lock, 180°
1	1	<b>380-0205-308</b>	Diff. Carrier Assembly	FR 6.36, HS1700/1800, w/o lock, 180°
1	1	<b>543-204-3519</b>	Diff. Carrier Assembly	FR 7.01, HS1700/1800 flange, w/o diff lock,
1	1	<b>543-204-3529</b>	Diff. Carrier Assembly	FR 6.36, HS1700/1800 flange, w/o diff lock
1	1	<b>543-204-3551</b>	Diff. Carrier Assembly	FR 8.79, HS1700/1800 flange, w/o diff lock
1	1	<b>543-204-3581</b>	Diff. Carrier Assembly	FR 10.55, HS1700/1800 flange, w/o diff lock
1	1	<b>543-204-3687</b>	Diff. Carrier Assembly	FR=9.51, ISO-T180 flange, w/diff lock
1	1	<b>543-204-3689</b>	Diff. Carrier Assembly	FR 9.51, HS1700/1800 flange, w/diff lock
1	1	<b>543-204-4351</b>	Diff. Carrier Assembly	FR 8.79, HS1700/1800, w/diff lock, 180°
1	1	<b>543-204-4451</b>	Diff. Carrier Assembly	FR 8.79, HS1700/1800, w/diff lock, CCW input, 180°

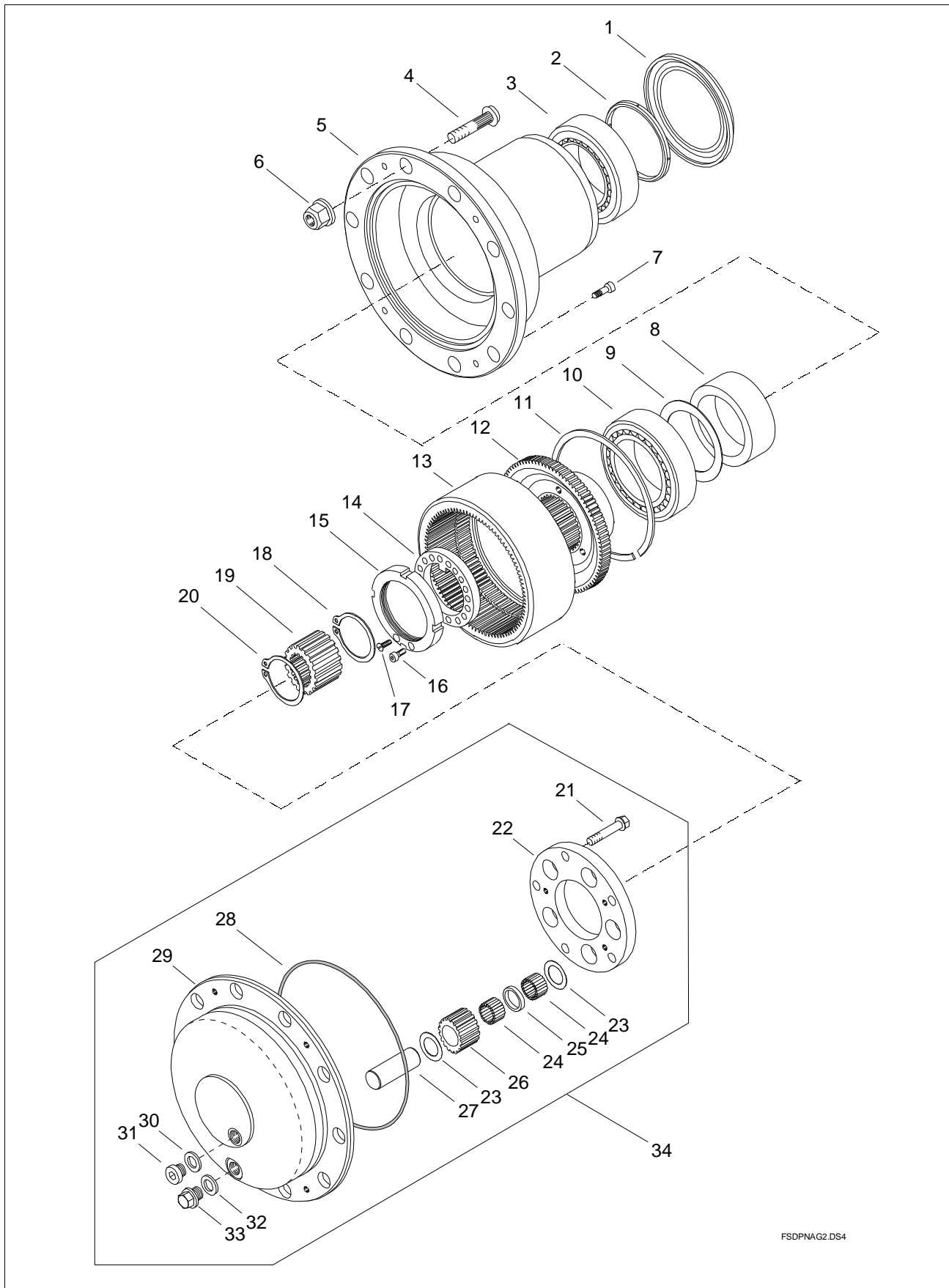


Item	Qty.	Order no.	Description	Note
1	1	90546-42653	Nut	M42x1.5
2	1	90621-63633	Split pin	6.3x63
3	1	90705-43069	washer	D43/80x6
4	1	138-918-0400	Flange	HS1700-1800
4	1	138-918-0401	Flange	ISO 8667 - T180
4	1	538-967-0100	End Yoke	Input Splined Yoke 1710
5	1	090-711-9000	Shield	
7	1	591122-08508	Shaft seal	D85/140x13/20
8	1	090-110-6740	Bearing inner race	
9	1	090-121-3700	Bearing outer race	
10	ar	099-557-1026	Spacer ring	(l=53.70)
10	ar	099-557-1028	Spacer ring	(l=53.74)
10	ar	099-557-1030	Spacer ring	(l=53.78)
11	ar	099-517-1000	Shim	(s=0.30)
11	ar	099-517-1001	Shim	(s=0.40)
11	ar	099-517-1002	Shim	(s=0.50)
12	4	90111-29054	Rivet	D2.9x5
13	1	91600-20811	Name plate	
14	2	91425-09100	Shield plug	
15	1	144-231-0502	Bearing housing	
16	1	090-050-7001	T. Roller bearing	
17	ar	144-239-1400	Shim	(s= 0.50 mm)
17	ar	144-239-1401	Shim	(s= 0.20 mm)
17	ar	144-239-1403	Shim	(s= 0.10 mm)
17	ar	144-239-1404	Shim	(s= 1.00 mm)
18	1	90871-22193	Plug screw	M22x1.5, hex head
19	1	91201-22150	Seal ring	D22/27x1.5 Cu
20	14	90303-12308	Hex Screw	M12x30
21	2	143-226-0012	Adjusting nut	D149
22	2	090-121-4700	Bearing outer race	
23	2	090-110-9000	Bearing inner race	
24	12	90556-16247	Nut	M16x1.5
25		0		Not installed
26	1	543-310-4811	Diff. case assy	With diff lock
26	1	543-310-4831	Diff. case assy	W/o diff lock
27	1	090-357-5000	Thrust washer	D75/111x3
28	1	543-351-4210	Side gear	D55/Z26
29	1	143-331-0603	Spider	
30	4	143-341-0700	Pinion gear	
31	4	143-345-0400	Thrust washer	D29/65x1.5
32	1	543-351-4310	Side gear	D55/Z26, w/diff lock
32	1	543-351-4610	Side gear	D55/Z26, W/o diff lock
33	1	090-359-7000	Thrust washer	D97/127x3
34	12	599-116-3250	Hex Screw	M16x1.5, L= 207, 12.9
35	1	143-210-1511	Differential Carrier	Incl. Bearing Case Halfs and Bolts
36	4	590604-08141	Pin	Ø8x14
37		143-214-2180	Bearing Case Half	Not Servised Separately
38	2	143-227-0610	Lock plate	
39	4	90303-08163	Screw	M8x16
40	4	90301-20377	Hex Screw	M20x130
41	1	143-240-1819	Ring and pinion gear set	14/27, FR 7.01, LH
41	1	143-240-1821	Ring and pinion gear set	17/26, FR 5.56, LH
41	1	143-240-1829	Ring and pinion gear set	16/28, FR 6.36, LH
41	1	143-240-1851	Ring and pinion gear set	12/29, FR 8.79, LH
41	1	143-240-1881	Ring and pinion gear set	10/29, FR 10.55, LH
41	1	543-240-5789	Ring and pinion gear set	13/34, FR 9.51, RH
41	1	543-240-5851	Ring and pinion gear set	12/29, FR 8.79, RH (ccw input)
41	1	543-240-7111	Ring and pinion gear set	25/32, FR 4.65, LH
42	2	91425-13120	Shield plug	



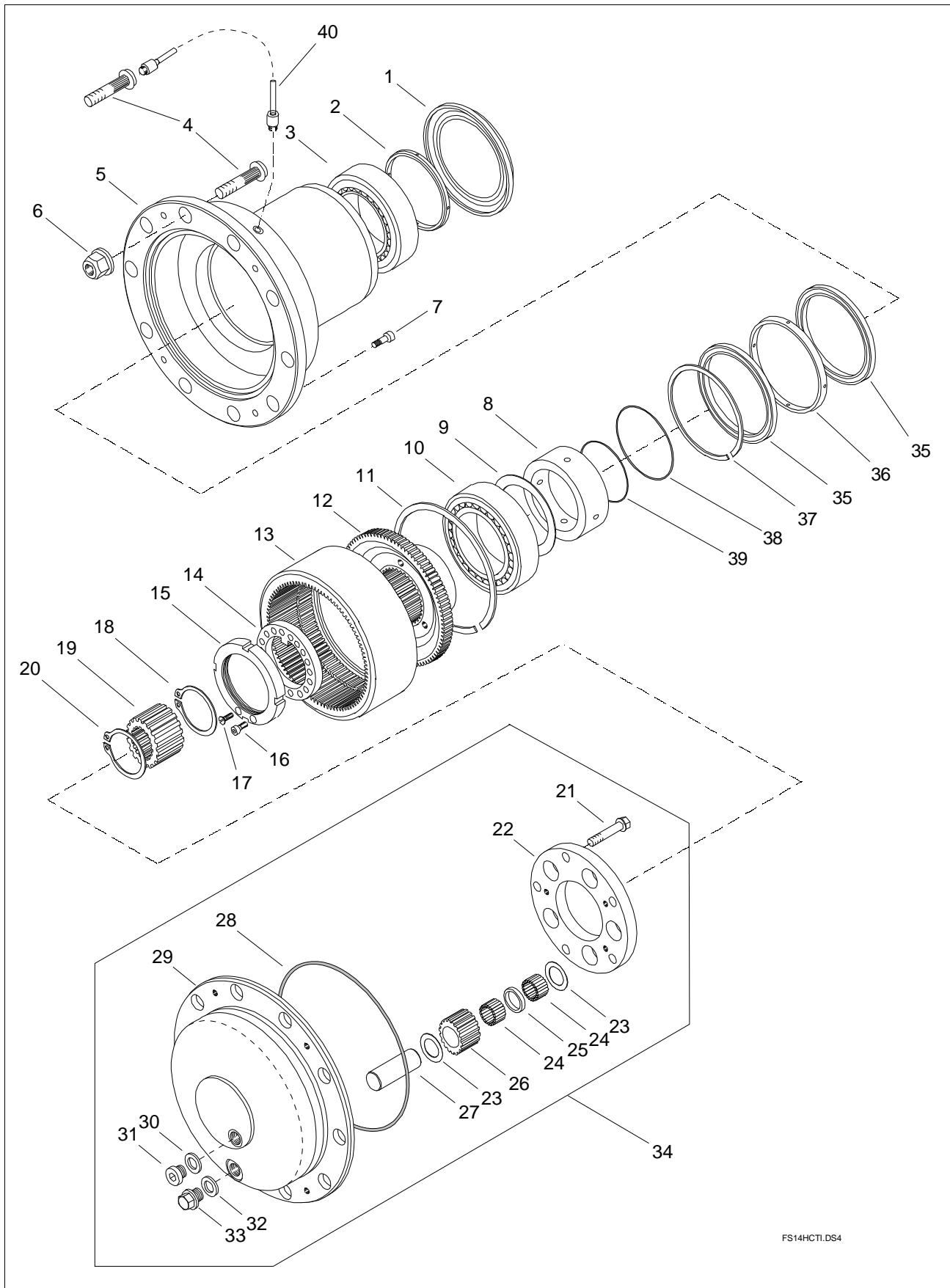
DP330D1K.DS4

Item	Qty.	Order no.	Description	Note
43	1	<b>90871-10143</b>	Plug screw	M10x1, hex head 14 mm
45	1	<b>144-341-1700</b>	Sliding Gear	
46	2	<b>133-348-0710</b>	Sliding shoe	
47	1	<b>144-751-1210</b>	Control fork	
48	1	<b>90313-06208</b>	Allen Screw	M6x20
49	1	<b>90335-05108</b>	Stopping screw	M5x10
50	1	<b>144-348-0000</b>	Sliding ring	
51	1	<b>91711-06500</b>	Retainer ring	D65
52	1	<b>172-212-1710</b>	Sliding Shaft	
53	1	<b>097-122-0100</b>	Return spring	
54	1	<b>172-361-0410</b>	Push plate	
55	1	<b>90319-08206</b>	Screw	M8x20
56	1	<b>172-351-1202</b>	Membrane	
57	1	<b>144-736-0300</b>	Cover	Without diff lock
57	1	<b>572-161-1502</b>	Membrane cover	For Signal Lamp Switch Option
58	5	<b>90303-08203</b>	Hex Screw	M8x20
59	1	<b>91201-18150</b>	Seal ring	D18/22x1.5 Cu
60	1	<b>586-490-0381</b>	Signal Lamp Switch	M18x1.5
61	1	<b>90871-18173</b>	Plug screw	M18x1.5
61	1	<b>91201-18150</b>	Seal ring	D18/22x1.5 Cu



FSDPNAG2.DS4

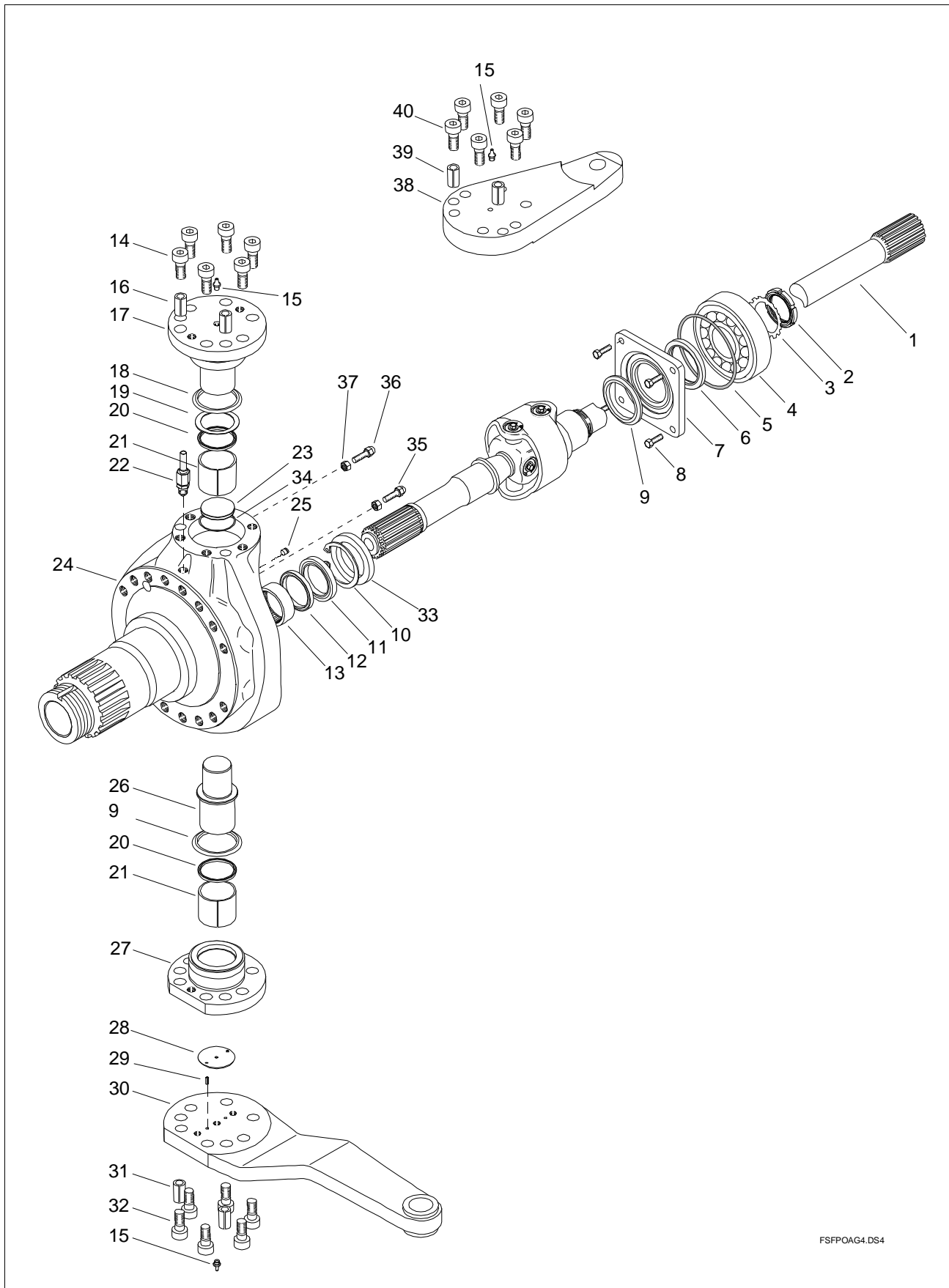
Item	Qty.	Order no.	Description	Note
1	2	<b>591122-13301</b>	Shaft seal	Ø133,4/187,5, Up to No. 20286 (2/2002)
1	2	<b>591122-15001</b>	Shaft seal	Ø150/180, Since No. 20287 (2/2002)
2	2	<b>540-415-1010</b>	Spacer ring	Up to No. 20286 (2/2002)
2	2	<b>540-415-1300</b>	Spacer ring	Since No. 20287 (2/2002)
2	2	<b>91101-33026</b>	O-ring	133x2.62, Since No. 20287 (2/2002)
3	2	<b>91744-01101</b>	T. Roller bearing	
4	20	<b>140-911-2700</b>	Wheel bolt	L=113 mm
4	20	<b>540-911-3500</b>	Wheel bolt	L=103 mm
5	NLA	<b>541-411-1401</b>	Wheel hub	Superceded by item 541-411-1402
5	2	<b>541-411-1402</b>	Wheel hub	Reinforced, with seal 591122-13301
5	NLA	<b>541-411-1410</b>	Wheel hub	Superceded by item 541-411-1412
5	2	<b>541-411-1412</b>	Wheel hub	reinforced, with seal 591122-15001
6	20	<b>540-916-1610</b>	Wheel nut	M22x1.5
7	8	<b>590313-10303</b>	Allen Screw	M10x30
8	2	<b>543-416-0210</b>	Spacer ring	L=44 mm
9	ar	<b>590731-09510</b>	Shim	s= 0.1 mm
9	ar	<b>590731-09515</b>	Shim	s= 0.15 mm
9	ar	<b>590731-09520</b>	Shim	s= 0.2 mm (preferred thickness)
9	ar	<b>590731-09530</b>	Shim	s= 0.3 mm (preferred thickness)
9	ar	<b>590731-09550</b>	Shim	s= 0.5 mm (preferred thickness)
9	ar	<b>590732-09510</b>	Shim	s= 1.0 mm (preferred thickness)
10	2	<b>91744-01201</b>	T. Roller bearing	
11	2	<b>91720-22001</b>	Retainer ring	D220x3
12	2	<b>535-271-0611</b>	Ring gear hub	
13	2	<b>535-261-2110</b>	Ring gear	
14	2	<b>143-418-0510</b>	Lock plate	S=6 mm, holed
15	2	<b>599-290-8004</b>	Lock Nut	M90x2
16	2	<b>590319-08186</b>	Allen Screw	M8x18
17	2	<b>590319-08126</b>	Allen Screw	M8x12
18	2	<b>591711-05500</b>	Retainer ring	D55x2
19	2	<b>535-211-1310</b>	Sun gear	N55x2x26
20	2	<b>591711-05500</b>	Retainer ring	D55x2
21	10	<b>590169-01670</b>	Special screw	M16x1.5x70
22	2	<b>535-231-1310</b>	Planet carrier	
23	20	<b>590-353-1100</b>	Spacer plate	D33.5/55.5x1.47
24	480	<b>91385-50240</b>	Needle roller	D5x23.8
25	10	<b>590-354-3100</b>	Spacer ring	D33.5/42x7
26	10	<b>535-241-1310</b>	Planet gear	
27	10	<b>535-251-1410</b>	Planet gear shaft	
28	2	<b>591109-66052</b>	O-ring	D266x5.33
29	2	<b>541-471-0410</b>	Planetary gear housing	
30	2	<b>91201-22150</b>	Seal ring	D22/27x1.5 Cu
31	2	<b>90873-22109</b>	Oil plug	M22x1.5, Allen head
32	2	<b>91201-22150</b>	Seal ring	D22/27x1.5 Cu
33	2	<b>90871-22193</b>	Plug screw	M22x1.5, hex head
34	2	<b>541-404-0171</b>	Planetary gear	



FS14HCTI.DS4

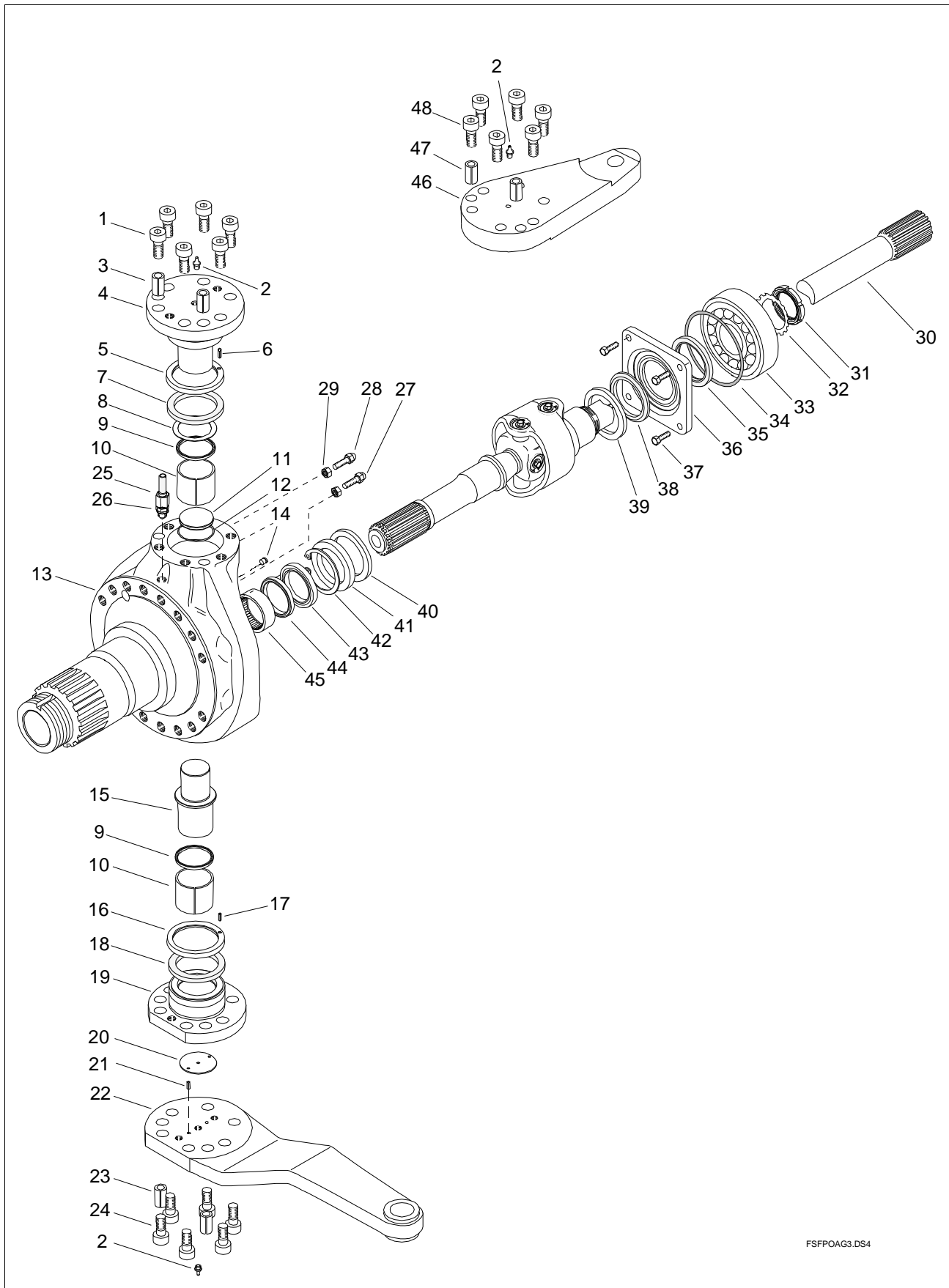


Item	Qty.	Order no.	Description	Note
1	2	<b>591122-15001</b>	Shaft seal	Ø150/180
2	2	<b>540-415-1300</b>	Spacer ring	D133.35/150x22
2	2	<b>91101-33026</b>	O-ring	133x2.62
3	2	<b>91744-01101</b>	T. Roller bearing	
4	18	<b>140-911-2510</b>	Wheel bolt	L=93 mm
4	18	<b>540-911-3500</b>	Wheel bolt	L=103 mm
4	2	<b>540-911-3610</b>	Wheel bolt	CTI, L=91mm
4	2	<b>540-911-3700</b>	Wheel bolt	CTI, L=103 mm
5	NLA	<b>541-411-2300</b>	Wheel hub	FS-14, CTI, superceded by item 541-411-2302
5	2	<b>541-411-2302</b>	Wheel hub	FS-14, CTI, reinforced
6	20	<b>540-916-1610</b>	Wheel nut	M22x1.5
7	8	<b>590313-10303</b>	Allen Screw	M10x30
8	2	<b>540-415-1500</b>	Spacer ring	D95/125x44, CTI
9	NLA	<b>590731-09510</b>	Shim	s= 0.1 mm
9	NLA	<b>590731-09515</b>	Shim	s= 0.15 mm
9	ar	<b>590731-09520</b>	Shim	s= 0.2 mm
9	ar	<b>590731-09530</b>	Shim	s= 0.3 mm
9	ar	<b>590731-09550</b>	Shim	s= 0.5 mm
9	ar	<b>590732-09510</b>	Shim	s= 1.0 mm
10	2	<b>91744-01201</b>	T. Roller bearing	
11	2	<b>91720-22001</b>	Retainer ring	D220x3
12	2	<b>535-271-0611</b>	Ring gear hub	
13	2	<b>535-261-2110</b>	Ring gear	
14	2	<b>143-418-0510</b>	Lock plate	S=6 mm, punched
15	2	<b>599-290-8004</b>	Lock Nut	M90x2
16	2	<b>590319-08186</b>	Allen Screw	M8x18
17	2	<b>590319-08126</b>	Allen Screw	M8x12
18	2	<b>591711-05500</b>	Retainer ring	D55x2
19	2	<b>535-211-1310</b>	Sun gear	N55x2x26
20	2	<b>591711-05500</b>	Retainer ring	D55x2
21	10	<b>590169-01670</b>	Special screw	M16x1.5x70
22	2	<b>535-231-1310</b>	Planet carrier	
23	20	<b>590-353-1100</b>	Spacer plate	D33.5/55.5x1.47
24	480	<b>91385-50240</b>	Needle roller	D5x23.8
25	10	<b>590-354-3100</b>	Spacer ring	D33.5/42x7
26	10	<b>535-241-1310</b>	Planet gear	
27	10	<b>535-251-1410</b>	Planet gear shaft	
28	2	<b>591109-66052</b>	O-ring	D266x5.33
29	2	<b>541-471-0410</b>	Planetary gear housing	
30	2	<b>91201-22150</b>	Seal ring	D22/27x1.5 Cu
31	2	<b>90873-22109</b>	Oil plug	M22x1.5, Allen head
32	2	<b>91201-22150</b>	Seal ring	D22/27x1.5 Cu
33	2	<b>90871-22193</b>	Plug screw	M22x1.5, hex head
34	2	<b>541-404-0171</b>	Planetary gear	
35	4	<b>591122-12501</b>	Shaft seal	CTI, D125/145x7.5/11,3
36	2	<b>540-415-1810</b>	Spacer ring	CTI, D145/137x14.5
37	2	<b>591720-14501</b>	Retainer ring	CTI, FK7-ESB - D145/6.0x1.5
38	2	<b>591107-05022</b>	O-ring	CTI, D105x2, superceded by item 591107-05252
38	2	<b>591107-05252</b>	O-ring	CTI, D105x2.5
39	2	<b>91106-89532</b>	O-ring	CTI, D89.5x3
40	2	<b>579-615-0500</b>	Pipe	CTI, including fittings



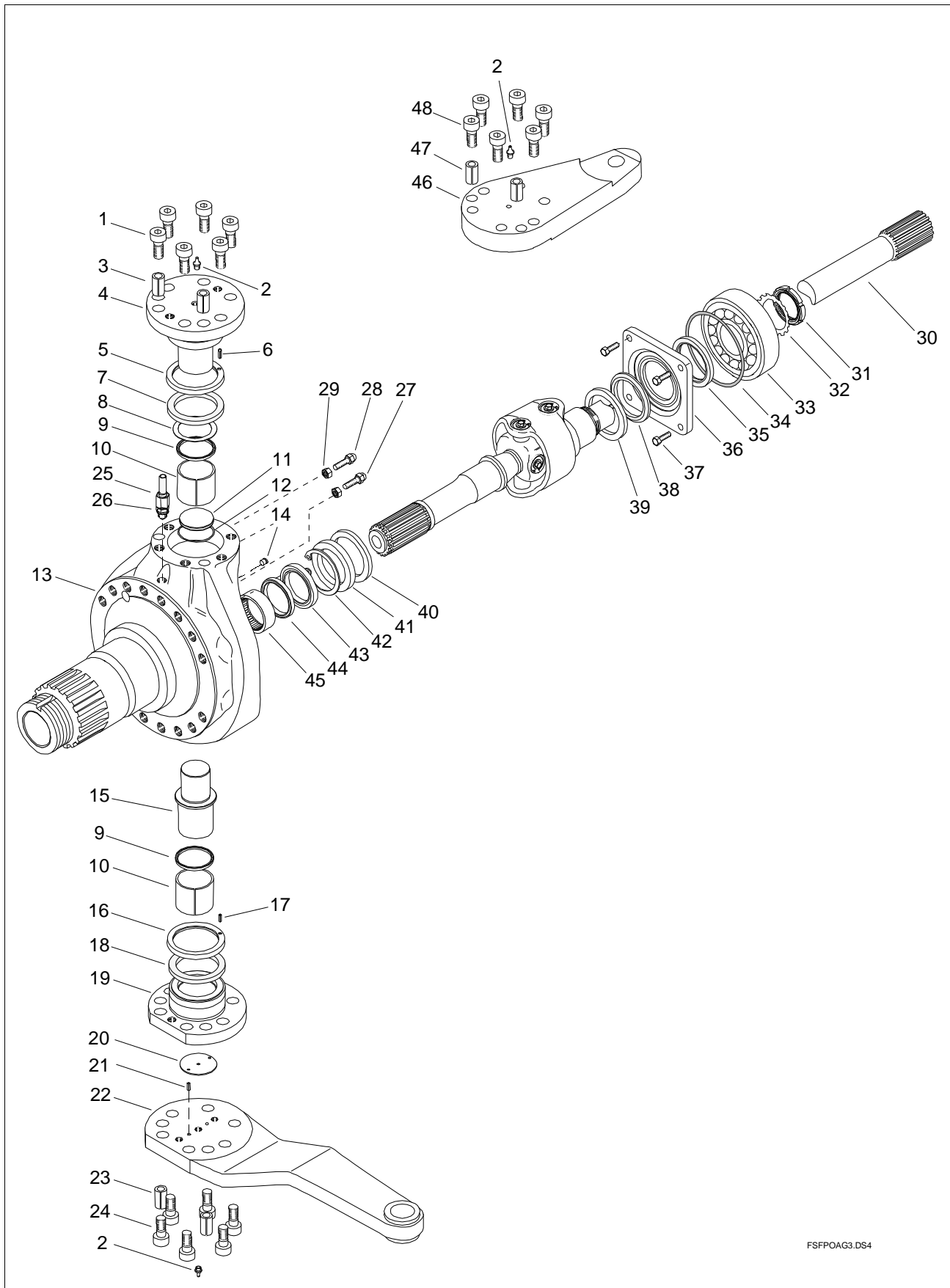
FSFPOAG4.DS4

Item	Qty.	Order no.	Description	Note
1	1	541-502-0301	Axle Shaft	FSMP, RH
1	2	541-502-0311	Axle Shaft	FSDP
1	1	541-502-0401	Axle Shaft	FSMP, LH
2	2	590575-06040	Lock Nut	
3	2	590735-06012	Lock plate	
4	2	591733-00601	Spherical roller bearing	
5	2	591101-01045	O-ring	
6	2	090-500-6501	Shaft seal	
7	2	541-532-0000	Cover	For Gamma-seal, up to No. 00179 (1/2000)
7	2	541-532-0010	Cover	For Foam-seal, since No. 00179 (1/2000)
8	8	90303-10303	Hex Screw	M10x30
9	2	590-561-0010	Gasket	Foam-seal, with cover 541-532-0010
9	2	591123-06501	Gamma-seal	+2 pcs with cover 541-532-0000
10	2	092-957-8000	Retainer ring	
11	2	591122-06003	Shaft seal	
12	2	91122-06001	Shaft seal	
13	2	591738-10601	Needle bush	
14	12	90311-16508	Allen Screw	M16x50, w/o steering arms
15	4	91402-10003	Grease nipple	
15	4	91421-06060	Shield hat	
16	4	590602-18400	Spring cotter	D18x40, w/o steering arms
17	2	540-121-1710	King pin	
18	2	090-400-7000	Gamma-seal	
19	ar	590731-05621	Shim	0.2 mm
19	ar	590731-05631	Shim	0.3 mm
19	ar	590731-05651	Shim	0.5 mm
19	ar	599-413-8100	Spacer plate	1.0 mm
20	4	591222-05501	Shaft seal	
21	4	590-314-8110	King pin bushing	
22	2	579-616-0000	Breather pipe	
22	2	591937-04027	Support ring	
22	2	591952-40610	Fitting	Angle Fitting 90°
23	2	595-518-0110	Plug	
24	2	541-141-1302	Steering knuckle	
25	2	590804-00060	Plug	
26	2	540-121-1800	King pin	
27	2	540-136-0210	Bearing housing	
28	2	599-413-8010	Thrust washer	
29	4	590602-04140	Spring cotter	
30	1	540-241-6300	Tie rod arm	RH
30	1	540-241-6310	Tie rod arm	LH
31	4	590602-18600	Spring cotter	D18x60
32	12	90311-16608	Allen Screw	M16x60
33	2	590-561-0000	Gasket	Foam-seal, oil before installation
34	2	591101-04720	O-ring	
35	2	140-249-1210	Stop screw	
36	2	140-249-1500	Stop screw	
37	4	90502-16243	Nut	
38	1	540-261-6200	Steering arm	RH
38	1	540-261-6210	Steering arm	LH
39	ar	590602-18700	Spring cotter	D18x70, 2 pcs per steering arm
40	ar	90311-16908	Allen Screw	M16x90, 6 pcs per steering arm



FSFPOAG3.DS4

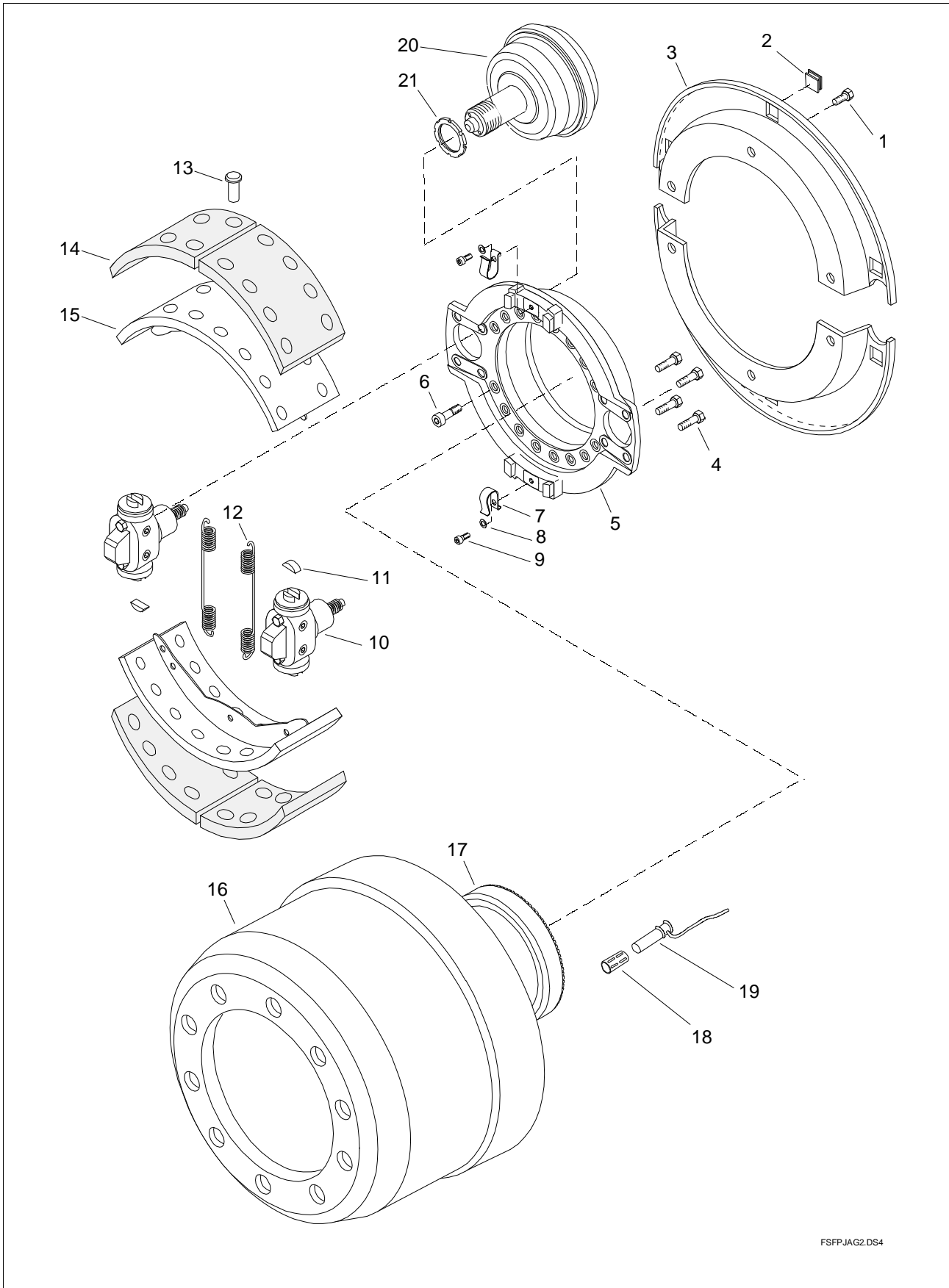
Item	Qty.	Order no.	Description	Note
1	12	90311-16508	Allen Screw	M16x50, w/o steering arms
2		91402-10003	Grease nipple	M10x1, Straight
3	4	590602-18400	Spring cotter	D18x40, w/o steering arms
4	2	540-121-2010	King pin	
5	2	590-722-1200	Protective cup	D79.5/93x10.5
6	2	590602-03100	Spring cotter	D3x10 mm
7	2	590-561-0110	Gasket	Foam-seal, Oil before installation
8	ar	590731-05621	Shim	0.2 mm
8	ar	590731-05631	Shim	0.3 mm
8	ar	590731-05651	Shim	0.5 mm
8	ar	599-413-8100	Spacer plate	1.0 mm
9	4	591222-05501	Shaft seal	D55/63x5.0
10	4	590-314-8110	King pin bushing	D60/55x50
11	2	595-518-0110	Plug	D50x6
12	2	591101-04720	O-ring	D47x2
13	2	541-141-1303	Steering knuckle	
15	2	540-121-1800	King pin	
16	2	590-722-1210	Protective cup	D65/93x11
17	2	590111-29064	Rivet	2.89x6.35
18	2	590-561-0200	Gasket	Foam-seal, Oil before installation
19	2	540-136-0301	Bearing housing	
20	2	599-413-8010	Thrust washer	D55x2.5
21	4	590602-04140	Spring cotter	D4x14
22	1	540-241-6200	Tie rod arm	RH, L=360 mm, Taper 1:10
22	1	540-241-6210	Tie rod arm	LH, L=360 mm, Taper 1:10
22	1	540-241-6300	Tie rod arm	RH, L=420 mm, Taper 1:10
22	1	540-241-6310	Tie rod arm	LH, L=420 mm, Taper 1:10
22	1	540-241-7000	Tie rod arm	RH, L=310 mm, Taper 1:10, For hydraulic steering
22	1	540-241-7010	Tie rod arm	LH, L=310 mm, Taper 1:10, For hydraulic steering
23	4	590602-18600	Spring cotter	D18x60
24	12	90311-16608	Allen Screw	M16x60
25	2	579-616-0000	Breather pipe	D6/4, L=1500
25	2	591937-04027	Support ring	D4
26	2	591952-40610	Fitting	M10x1, D6/4
27	2	140-249-1210	Stop screw	Total L=52mm
28	2	140-249-1500	Stop screw	Total L=65mm
29	4	90502-16243	Nut	M16
30	2	541-502-0311	Axle Shaft	L=1200, track 2360
30	2	541-502-0411	Axle Shaft	L=1310, track 2580
31	2	590575-06040	Lock Nut	M60x2, KM12
32	2	590735-06012	Lock plate	MB12, D60x1.5
33	2	591733-06001	Spherical roller bearing	D60/110x28
34	2	591101-01045	O-ring	D101x4.5
35	2	090-500-6501	Shaft seal	D65/90x10
36	2	541-532-0010	Cover	For Foam-seal
37	8	90303-10303	Hex Screw	M10x30
38	2	590-561-0300	Gasket	Foam-seal, Oil before installation
39	2	590-711-9110	Protective cup	D85x9
40	2	590-711-9100	Seal housing	
41	2	590-561-0210	Gasket	Foam-seal, Oil before installation
42	2	092-957-8000	Retainer ring	D80x2.5
43	2	591122-06003	Shaft seal	D60/80x12
44	2	91122-06001	Shaft seal	D60/75x8
45	2	591738-10601	Needle bush	D60/72x35
46	1	540-261-6200	Steering arm	RH, L=215 mm, Taper 1:8, big end down
46	1	540-261-6210	Steering arm	LH, L=215 mm, Taper 1:8, big end down
46	1	540-261-7100	Steering arm	RH, L=271 mm, Taper 1:8, big end up
46	1	540-261-7110	Steering arm	LH, L=271 mm, Taper 1:8, big end up
46	1	540-261-7500	Steering arm	RH, L=271 mm, Taper 1:8, big end down, S/N 143555
46	1	540-261-7510	Steering arm	LH, L=271 mm, Taper 1:8, big end down, S/N 143555
47	ar	590602-18700	Spring cotter	D18x70, 2 pcs per steering arm
48	ar	90311-16908	Allen Screw	M16x90, 6 pcs per steering arm



FSFPOAG3.DS4

Item	Qty.	Order no.	Description	Note
1	12	90311-16508	Allen Screw	M16x50, w/o steering arms
2		91402-10003	Grease nipple	M10x1, Straight
3	4	590602-18400	Spring cotter	D18x40, w/o steering arms
4	2	540-121-2010	King pin	
5	2	590-722-1200	Protective cup	D79.5/93x10.5
6	2	590602-03100	Spring cotter	D3x10 mm
7	2	590-561-0110	Gasket	Foam-seal, Oil before installation
8	ar	590731-05621	Shim	0.2 mm
8	ar	590731-05631	Shim	0.3 mm
8	ar	590731-05651	Shim	0.5 mm
8	ar	599-413-8100	Spacer plate	1.0 mm
9	4	591222-05501	Shaft seal	D55/63x5.0
10	4	590-314-8110	King pin bushing	D60/55x50
11	2	595-518-0110	Plug	D50x6
12	2	591101-04720	O-ring	D47x2
13	2	541-141-1303	Steering knuckle	W/o CTI-system
13	2	541-141-1600	Steering knuckle	With CTI-system
15	2	540-121-1800	King pin	
16	2	590-722-1210	Protective cup	D65/93x11
17	2	590111-29064	Rivet	2.89x6.35
18	2	590-561-0200	Gasket	Foam-seal, Oil before installation
19	2	540-136-0301	Bearing housing	
20	2	599-413-8010	Thrust washer	D55x2.5
21	4	590602-04140	Spring cotter	D4x14
22	1	540-241-6200	Tie rod arm	RH, L=360 mm, Taper 1:10
22	1	540-241-6210	Tie rod arm	LH, L=360 mm, Taper 1:10
22	1	540-241-6300	Tie rod arm	RH, L=420 mm, Taper 1:10
22	1	540-241-6310	Tie rod arm	LH, L=420 mm, Taper 1:10
22	1	540-241-7000	Tie rod arm	RH, L=310 mm, Taper 1:10, For hydraulic steering
22	1	540-241-7010	Tie rod arm	LH, L=310 mm, Taper 1:10, For hydraulic steering
23	4	590602-18600	Spring cotter	D18x60
24	12	90311-16608	Allen Screw	M16x60
25	2	579-616-0010	Breather pipe	D8/6, L=1500
25	2	591937-06027	Support ring	D6
26	2	591952-40810	Fitting	M10x1, D8/6
27	2	140-249-1210	Stop screw	Total L=52mm
28	2	140-249-1500	Stop screw	Total L=65mm
29	4	90502-16243	Nut	M16
30	1	541-502-0301	Axle Shaft	L=1150, LH, track 2360
30	1	541-502-0401	Axle Shaft	L=1255, LH, track 2580
30	1	541-502-0401	Axle Shaft	L=1255, RH, track 2360
30	1	541-502-0441	Axle Shaft	L=1345, RH, track 2580
31	2	590575-06040	Lock Nut	M60x2, KM12
32	2	590735-06012	Lock plate	MB12, D60x1.5
33	2	591733-00601	Spherical roller bearing	D60/110x28
34	2	591101-01045	O-ring	D101x4.5
35	2	090-500-6501	Shaft seal	D65/90x10
36	2	541-532-0010	Cover	For Foam-seal
37	8	90303-10303	Hex Screw	M10x30
38	2	590-561-0300	Gasket	Foam-seal, Oil before installation
39	2	590-711-9110	Protective cup	D85x9
40	2	590-711-9100	Seal housing	
41	2	590-561-0210	Gasket	Foam-seal, Oil before installation
42	2	092-957-8000	Retainer ring	D80x2.5
43	2	591122-06003	Shaft seal	D60/80x12
44	2	91122-06001	Shaft seal	D60/75x8
45	2	591738-10601	Needle bush	D60/72x35
46	2	504-0310-301	Steering arm	L=216 mm, Taper 1:8, big end down
46	1	540-261-6200	Steering arm	RH, L=215 mm, Taper 1:8, big end down
46	1	540-261-6210	Steering arm	LH, L=215 mm, Taper 1:8, big end down
46	1	540-261-7100	Steering arm	RH, L=271 mm, Taper 1:8, big end up
46	1	540-261-7110	Steering arm	LH, L=271 mm, Taper 1:8, big end up
46	1	540-261-7500	Steering arm	RH, L=271 mm, Taper 1:8, big end down
46	1	540-261-7510	Steering arm	LH, L=271 mm, Taper 1:8, big end down

47	ar	590602-18700	Spring cotter	D18x70, 2 pcs per steering arm
48	ar	590311-16808	Allen Screw	M16x80, 6 pcs per steering arm



FSFPJAG2.DS4



Item	Qty.	Order no.	Description	Note
1	12	<b>90313-08123</b>	Allen Screw	M8x12
1	12	<b>90705-08423</b>	washer	D8.4/17x1.6
2	12	<b>591426-02000</b>	Plug	
3	4	<b>546-131-7011</b>	Dust Shield	
4	16	<b>590316-14358</b>	Screw	Not serviced separately
4	16	<b>590707-14223</b>	washer	Not serviced separately
5	2	<b>546-111-3601</b>	Brake Bracket	
6	32	<b>90311-16608</b>	Allen Screw	M16x60
7	4	<b>546-817-0010</b>	Bracket	Including pos. 8 & 9, Not serviced separately
8	4	<b>590710-10547</b>	washer	Not serviced separately
9	4	<b>590317-10163</b>	Hex Screw	Not serviced separately
10	2	<b>546-011-0011</b>	Expander	RH, Including pos. 4
10	2	<b>546-011-0021</b>	Expander	LH, Including pos. 4
11	4	<b>546-358-0300</b>	Sliding shoe	
12	ar	<b>546-099-0001</b>	Repair kit of springs	For two wheels (inc. 7-9,12)
12	4	<b>592052-24002</b>	Return spring	Not serviced separately
13	96	<b>591501-00991</b>	Rivet	Not serviced separately
14	ar	<b>546-360-2111</b>	Brake lining set	200 mm, For two wheels, including rivets
14	ar	<b>546-360-2121</b>	Br. lining set(over size)	200 mm, For two wheels, including rivets
15	4	<b>546-309-9811</b>	Brake shoe assy	200 mm, Complete with linings
16	2	<b>546-311-8111</b>	Brake drum	Supersession for 146-311-7210 & 546-311-8200
17	2	<b>589-291-0300</b>	Ring gear	ABS
18	2	<b>189-295-0000</b>	Bush	ABS
19	2	<b>189-250-0071</b>	Sensor	ABS, Wabco
19	2	<b>589-250-0081</b>	Sensor	ABS, Knorr, protected wire
20	4	<b>572-101-2271</b>	Brake chamber	20"
20	4	<b>572-101-2281</b>	Brake chamber	18"
20	4	<b>572-101-2312</b>	Brake chamber	12"
20	4	<b>572-103-5231</b>	Spring Brake Chamber	20/24"
21	0	<b>599-246-9010</b>	Lock Nut	Superceded by item 599-246-9100
21	4	<b>599-246-9100</b>	Lock Nut	1.75-12 UNS