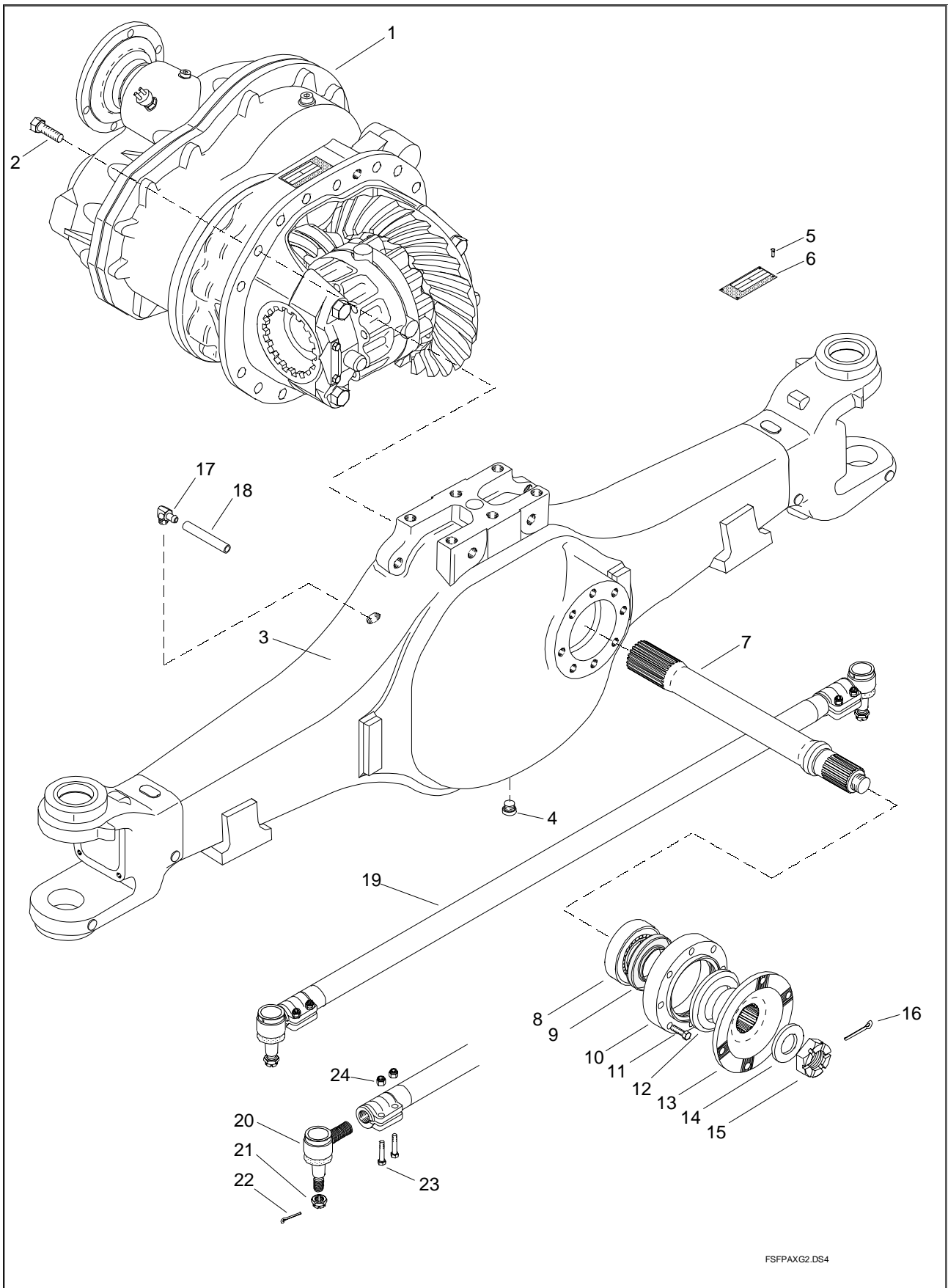


# **SISU AXLES**

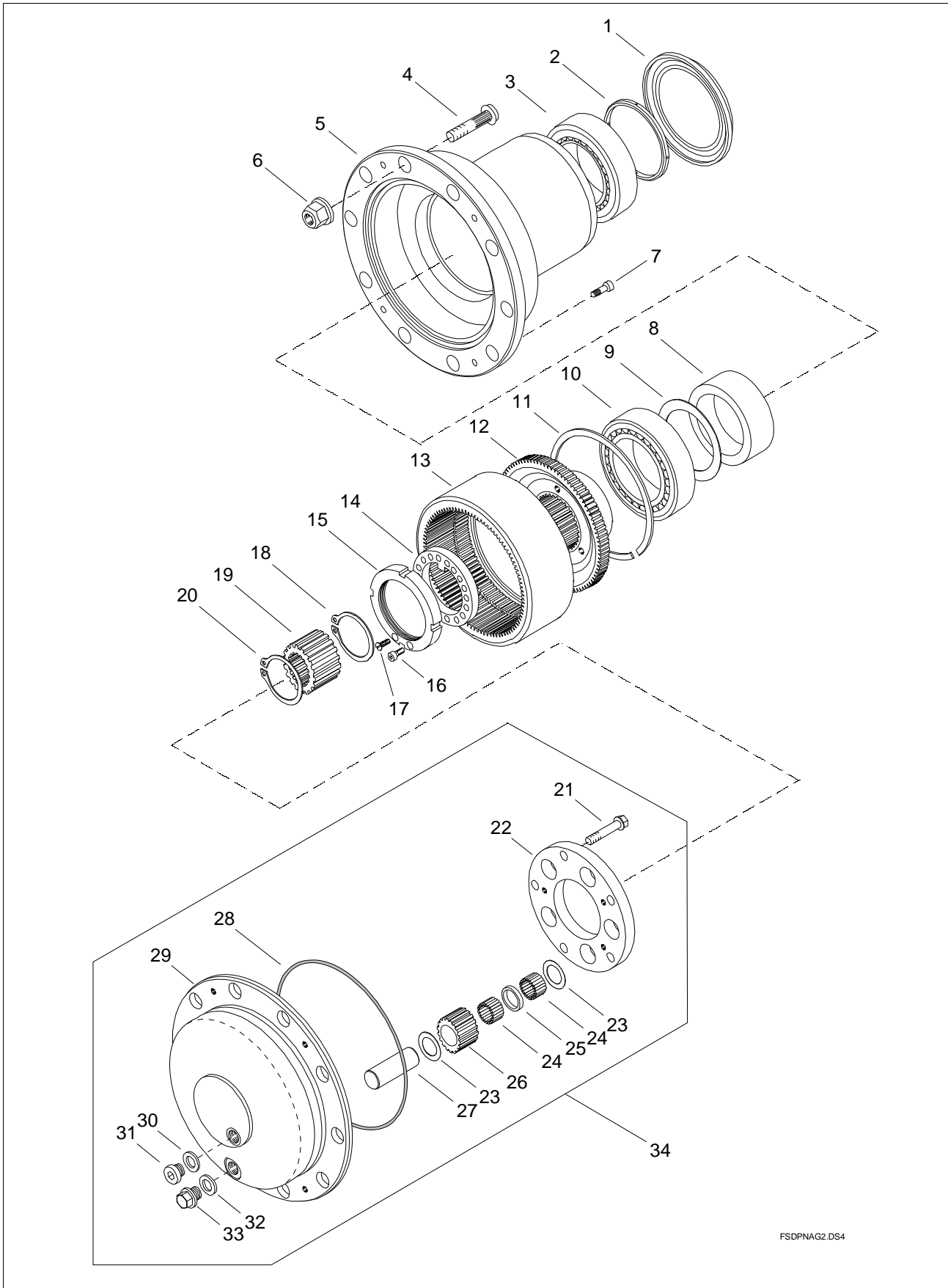
## **SPARE PARTS BOOK**

**Tridem Axle  
FSFP  
FSFP-14-G  
Since S/N 142864 (9/2004)  
Book No. 352 (3/2007)**

Sisu Axles, Inc.  
Autotehtaan tie 1  
PO Box 189  
FIN-13101 Hämeenlinna  
Finland  
Phone +358 204 55 2999  
Fax +358 204 55 2900

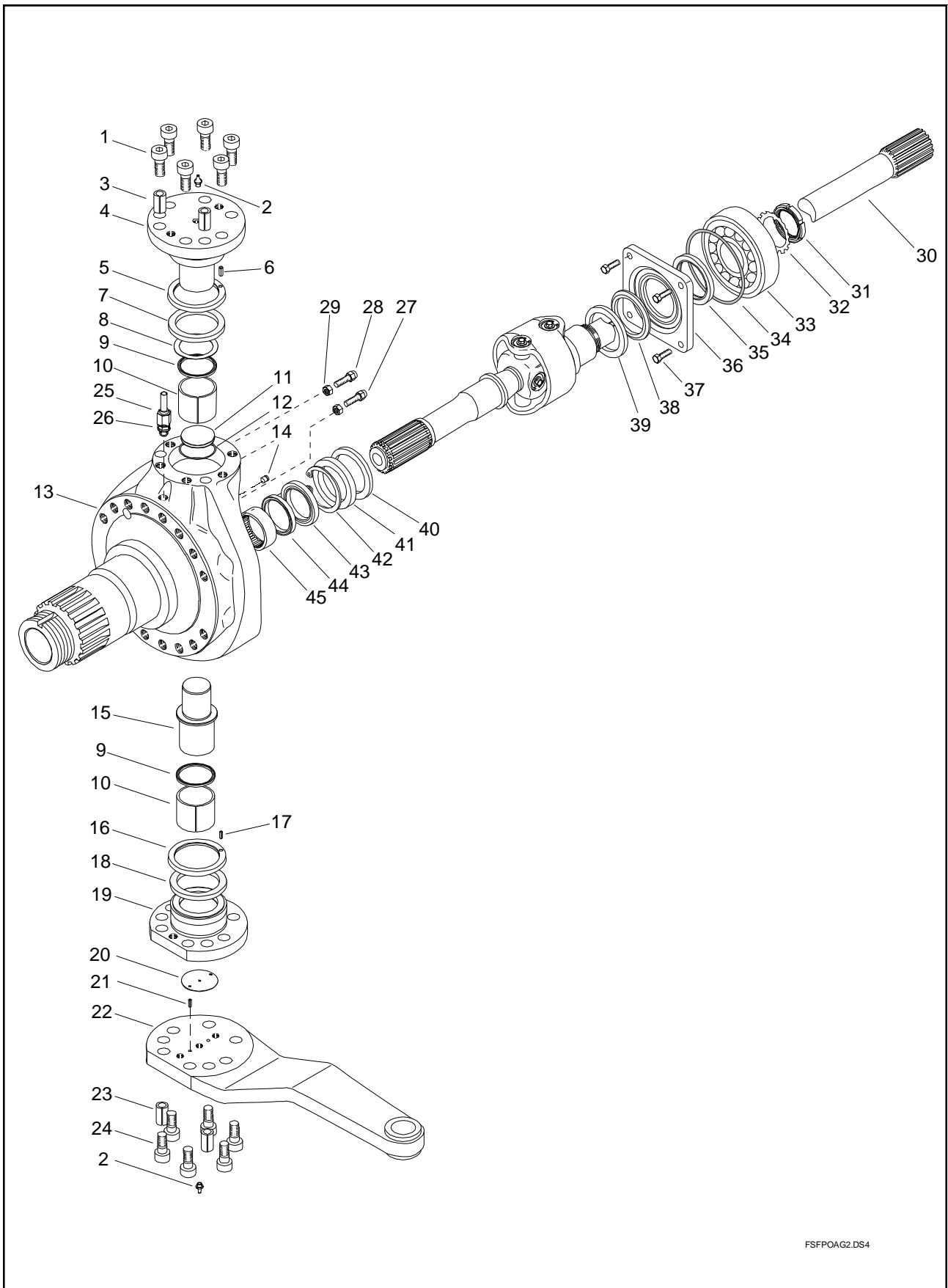


| Item | Qty. | Order no.           | Description              | Note                                   |
|------|------|---------------------|--------------------------|--|
| 1    | 1    | <b>544-206-5715</b> | Diff. Carrier Assembly   | FR 4.65, diff. lock, ISO-T180 flanges  |
| 1    | 1    | <b>544-206-5735</b> | Diff. Carrier Assembly   | FR 4.11, diff. lock, ISO-T180 flanges  |
| 1    | 1    | <b>544-206-5737</b> | Diff. Carrier Assembly   | FR 4.28, diff. lock, ISO-T180 flanges  |
| 1    | 1    | <b>544-207-5085</b> | Diff. Carrier Assembly   | FR 10.55, Pressure lubr, ISO-T180      |
| 2    | 16   | <b>90303-16407</b>  | Hex Screw                | M16x40, 10.9                           |
| 3    | 1    | <b>541-113-3300</b> | Axle housing             | Spring and steering cylinder brackets  |
| 4    | 1    | <b>90873-22109</b>  | Oil plug                 | M22x1.5 - DIN908, Allen head, magnetic |
| 4    | 1    | <b>91201-22150</b>  | Seal ring                | D22/27x1.5 Cu                          |
| 5    | 4    | <b>90111-29054</b>  | Rivet                    | D2.9x5                                 |
| 6    | 1    | <b>591600-20823</b> | Name plate               |  |
| 7    | 1    | <b>544-251-3610</b> | Output Shaft             | Splines W65x24                         |
| 8    | 1    | <b>91734-40651</b>  | Deep groove ball bearing | D65/120 x 23                           |
| 9    | 1    | <b>591122-08507</b> | Shaft seal               | Cassette seal D85/120x9/20             |
| 10   | 1    | <b>544-321-0500</b> | Seal housing             |  |
| 11   | 8    | <b>90303-10303</b>  | Hex Screw                | M10x30                                 |
| 12   | 0    | <b>0</b>            |                          |  |
| 13   | 1    | <b>538-918-0510</b> | Output flange            | ISO 8667 - T180                        |
| 14   | 1    | <b>90705-43069</b>  | washer                   | D43/80x6                               |
| 15   | 1    | <b>90546-42653</b>  | Nut                      | M42x1.5                                |
| 16   | 1    | <b>90621-63633</b>  | Split pin                | D6.3x63                                |
| 17   | 1    | <b>591952-10604</b> | Fitting                  | R1/8", 6 mm                            |
| 17   | 1    | <b>591953-21612</b> | Binding screw            |  |
| 18   | 1    | <b>579-616-0000</b> | Breather pipe            | D6/4, L=1500                           |
| 18   | 1    | <b>591937-04027</b> | Support ring             | D4                                     |
| 19   | 1    | <b>540-201-9752</b> | Tie rod assy             | 1230 mm, complete                      |
| 20   | 1    | <b>560-530-0511</b> | Ball Joint Assembly      | RH, D50, M38x1.5                       |
| 20   | 1    | <b>560-530-0521</b> | Ball Joint Assembly      | LH, D50, M38x1.5                       |
| 21   | 2    | <b>590546-30463</b> | Nut                      | M30x1.5                                |
| 22   | 2    | <b>90621-63633</b>  | Split pin                | D6.3x63                                |
| 23   | 4    | <b>90303-12603</b>  | Hex Screw                | M12x60                                 |
| 24   | 4    | <b>90502-12193</b>  | Nut                      | M12                                    |



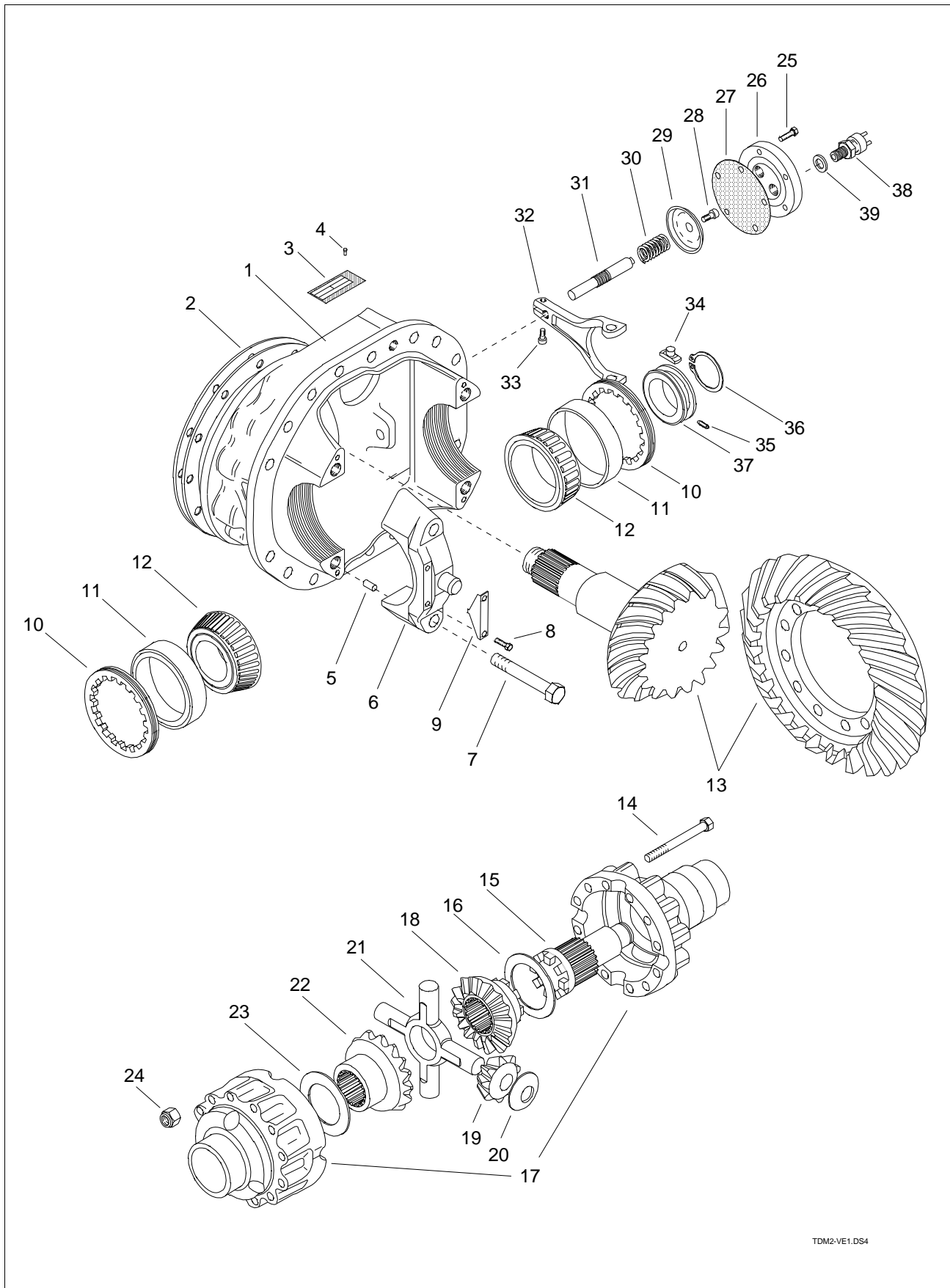
FSDPNAG2.DS4

| Item | Qty. | Order no.           | Description            | Note                |
|------|------|---------------------|------------------------|---------------------|
| 1    | 2    | <b>591122-15001</b> | Shaft seal             | Ø150/180            |
| 2    | 2    | <b>540-415-1300</b> | Spacer ring            | D150/133.35x22      |
| 2    | 2    | <b>91101-33026</b>  | O-ring                 | 133x2.62            |
| 3    | 2    | <b>91744-01101</b>  | T. Roller bearing      |                     |
| 4    | 20   | <b>140-911-2510</b> | Wheel bolt             | L=93 mm             |
| 5    | 2    | <b>541-411-1412</b> | Wheel hub              |                     |
| 6    | 20   | <b>540-916-1610</b> | Wheel nut              | M22x1.5             |
| 7    | 8    | <b>90303-10303</b>  | Hex Screw              | M10x30              |
| 8    | 2    | <b>543-416-0210</b> | Spacer ring            | L=44 mm             |
| 9    | NLA  | <b>590731-09510</b> | Shim                   | s= 0.1 mm           |
| 9    | NLA  | <b>590731-09515</b> | Shim                   | s= 0.15 mm          |
| 9    | ar   | <b>590731-09520</b> | Shim                   | s= 0.2 mm           |
| 9    | ar   | <b>590731-09530</b> | Shim                   | s= 0.3 mm           |
| 9    | ar   | <b>590731-09550</b> | Shim                   | s= 0.5 mm           |
| 10   | 2    | <b>91744-01201</b>  | T. Roller bearing      |                     |
| 11   | 2    | <b>91720-22001</b>  | Retainer ring          | D220x3              |
| 12   | 2    | <b>535-271-0611</b> | Ring gear hub          |                     |
| 13   | 2    | <b>535-261-2110</b> | Ring gear              |                     |
| 14   | 2    | <b>143-418-0510</b> | Lock Washer            | S=6 mm              |
| 15   | 2    | <b>599-290-8004</b> | Lock Nut               | M90x2               |
| 16   | 2    | <b>590319-08186</b> | Allen Screw            | M8x18               |
| 17   | 2    | <b>590319-08126</b> | Allen Screw            | M8x12               |
| 18   | 2    | <b>591711-05500</b> | Retainer ring          | D55x2               |
| 19   | 2    | <b>535-211-1310</b> | Sun gear               | N55x2x26            |
| 20   | 2    | <b>591711-05500</b> | Retainer ring          | D55x2               |
| 21   | 10   | <b>590169-01670</b> | Special screw          | M16x1.5x70          |
| 22   | 2    | <b>535-231-1310</b> | Planet carrier         |                     |
| 23   | 20   | <b>590-353-1100</b> | Spacer plate           | D33.5/55.5x1.47     |
| 24   | 480  | <b>91385-50240</b>  | Needle roller          | D5x23.8             |
| 25   | 10   | <b>590-354-3100</b> | Spacer ring            | D33.5/42x7          |
| 26   | 10   | <b>535-241-1310</b> | Planet gear            |                     |
| 27   | 10   | <b>535-251-1410</b> | Planet gear shaft      |                     |
| 28   | 2    | <b>591109-66052</b> | O-ring                 | D266x5.33           |
| 29   | 2    | <b>541-471-0410</b> | Planetary gear housing |                     |
| 30   | 2    | <b>91201-22150</b>  | Seal ring              | D22/27x1.5 Cu       |
| 31   | 2    | <b>90873-22109</b>  | Oil plug               | M22x1.5, Allen head |
| 32   | 2    | <b>91201-22150</b>  | Seal ring              | D22/27x1.5 Cu       |
| 33   | 2    | <b>90871-22193</b>  | Plug screw             | M22x1.5, hex head   |
| 34   | 2    | <b>541-404-0171</b> | Planetary gear         |                     |



FSFPOAG2.DS4

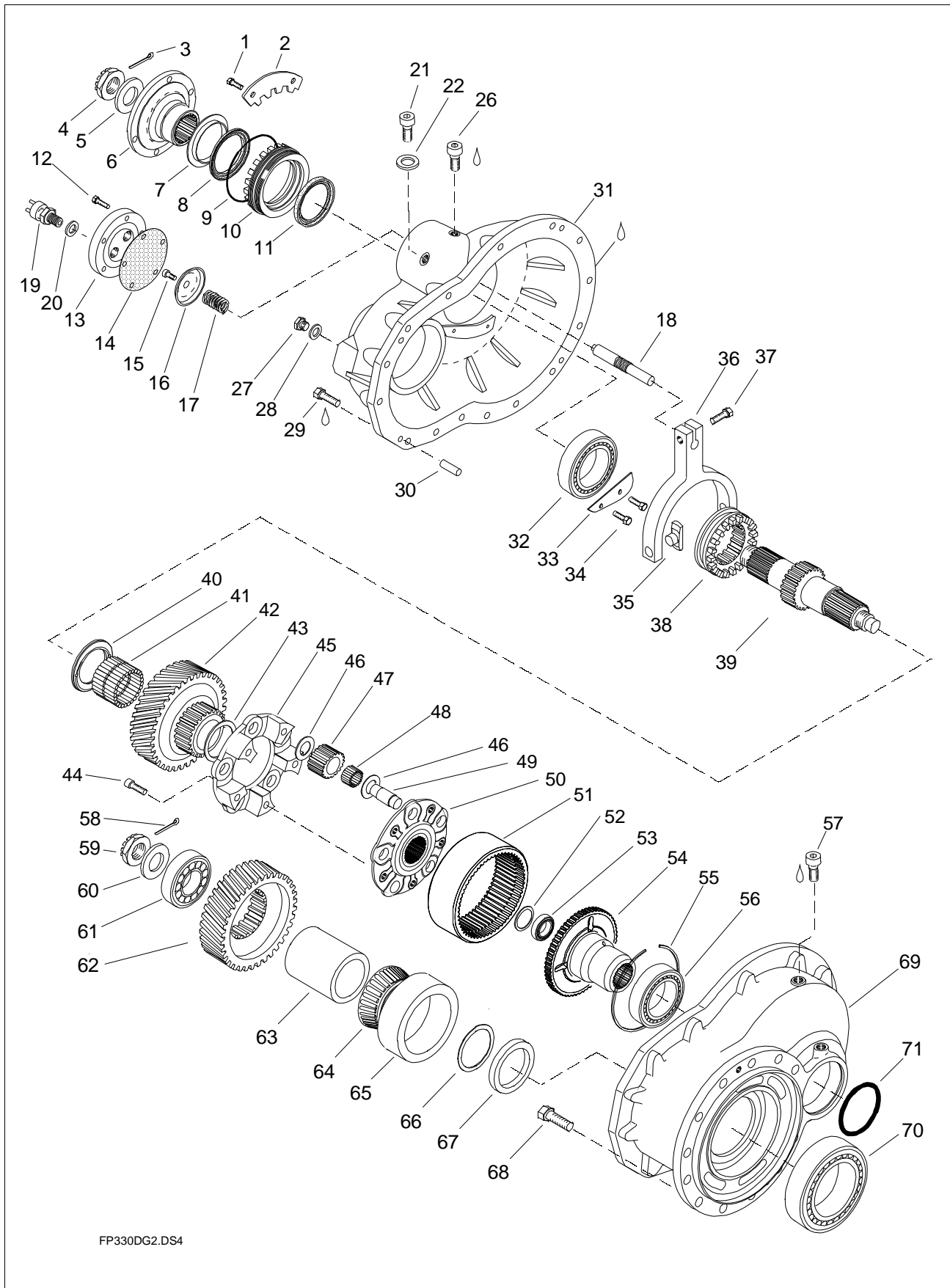
| Item | Qty. | Order no.    | Description              | Note                                    |
|------|------|--------------|--------------------------|---|
| 1    | 12   | 90311-16508  | Allen Screw              | M16x50, w/o steering arm                |
| 2    | 4    | 91402-10003  | Grease nipple            | M10x1, Straight                         |
| 2    | 4    | 91421-06060  | Shield hat               |   |
| 3    | 4    | 590602-18400 | Spring cotter            | D18x40, w/o steering arm                |
| 4    | 2    | 540-121-2010 | King pin                 |   |
| 5    | 2    | 590-722-1200 | Protective cup           | D79.5/93x10.5                           |
| 6    | 2    | 590602-03100 | Spring cotter            | D3x10 mm                                |
| 7    | 2    | 590-561-0110 | Gasket                   | Foam-seal, Oil before installation      |
| 8    | ar   | 590731-05621 | Shim                     | 0.2 mm                                  |
| 8    | ar   | 590731-05631 | Shim                     | 0.3 mm                                  |
| 8    | ar   | 590731-05651 | Shim                     | 0.5 mm                                  |
| 8    | ar   | 599-413-8100 | Spacer plate             | 1.0 mm                                  |
| 9    | 4    | 591222-05501 | Shaft seal               | D55/63x5.0                              |
| 10   | 4    | 590-314-8110 | King pin bushing         | D60/55x50                               |
| 11   | 2    | 595-518-0110 | Plug                     | D50x6                                   |
| 12   | 2    | 591101-04720 | O-ring                   | D47x2                                   |
| 13   | 2    | 541-141-1303 | Steering knuckle         | FSDP, FSFP & SSDP                       |
| 13   | 2    | 541-141-1600 | Steering knuckle         | With CTI-system                         |
| 14   | 2    | 590804-00060 | Plug                     | Not serviced separately                 |
| 15   | 2    | 540-121-1800 | King pin                 |   |
| 16   | 2    | 590-722-1210 | Protective cup           | D65/93x11                               |
| 17   | 2    | 90111-29054  | Rivet                    | D2.9x5                                  |
| 18   | 2    | 590-561-0200 | Gasket                   | Foam-seal, Oil before installation      |
| 19   | 2    | 540-136-0301 | Bearing housing          |   |
| 20   | 2    | 599-413-8010 | Thrust washer            | D55x2.5                                 |
| 21   | 4    | 590602-04140 | Spring cotter            | D4x14                                   |
| 22   | 1    | 540-241-6200 | Tie rod arm              | RH, FSFP                                |
| 22   | 1    | 540-241-6210 | Tie rod arm              | LH, FSFP                                |
| 22   | 1    | 540-241-6300 | Tie rod arm              | RH, FSDP                                |
| 22   | 1    | 540-241-6310 | Tie rod arm              | LH, FSDP                                |
| 22   | 1    | 540-241-7000 | Tie rod arm              | RH, For hydraulic steering              |
| 22   | 1    | 540-241-7010 | Tie rod arm              | LH, For hydraulic steering              |
| 23   | 4    | 590602-18600 | Spring cotter            | D18x60                                  |
| 24   | 12   | 90311-16608  | Allen Screw              | M16x60                                  |
| 25   | 2    | 579-616-0000 | Breather pipe            | D6x1, L=1500, up to S/N 151801 (4/2005) |
| 25   | 2    | 579-616-0010 | Breather pipe            | D8/6, L=1500, since S/N 151802 (4/2005) |
| 25   | 2    | 591937-04027 | Support ring             | D4, up to S/N 151801 (4/2005)           |
| 25   | 2    | 591937-06027 | Support ring             | D6, since S/N 151802 (4/2005)           |
| 26   | 2    | 591952-40610 | Fitting                  | M10x1, D6, up to S/N 151801 (4/2005)    |
| 26   | 2    | 591952-40810 | Fitting                  | M10x1, D8/6, since S/N 151802 (4/2005)  |
| 27   | 2    | 140-249-1210 | Stop screw               | Total L=52mm, FSDP, FSMP, SSDP          |
| 27   | 2    | 140-249-1400 | Stop screw               | Total L=80mm, FSFP                      |
| 28   | 2    | 140-249-1400 | Stop screw               | Total L=80mm, FSFP                      |
| 28   | 2    | 140-249-1500 | Stop screw               | Total L=65mm, FSDP, FSMP, SSDP          |
| 29   | 4    | 90502-16243  | Nut                      | M16                                     |
| 30   | 1    | 541-502-0301 | Axle Shaft               | FSMP (RH) & FSFP (LH)                   |
| 30   | 2    | 541-502-0311 | Axle Shaft               | FSDP & SSDP                             |
| 30   | 1    | 541-502-0401 | Axle Shaft               | FSMP (LH) & FSFP (RH)                   |
| 31   | 2    | 590575-06040 | Lock Nut                 | M60x2, KM12                             |
| 32   | 2    | 590735-06012 | Lock Washer              | MB12, D60x1.5                           |
| 33   | 2    | 591733-00601 | Spherical roller bearing | D60/110x28                              |
| 34   | 2    | 591101-01045 | O-ring                   | D101x4.5                                |
| 35   | 2    | 090-500-6501 | Shaft seal               | D65/90x10                               |
| 36   | 2    | 541-532-0010 | Cover                    | For Foam-seal                           |
| 37   | 8    | 90303-10303  | Hex Screw                | M10x30                                  |
| 38   | 2    | 590-561-0300 | Gasket                   | Foam-seal, Oil before installation      |
| 39   | 2    | 590-711-9110 | Protective cup           | D85x9                                   |
| 40   | 2    | 590-711-9100 | Seal housing             |   |
| 41   | 2    | 590-561-0210 | Gasket                   | Foam-seal, Oil before installation      |
| 42   | 2    | 092-957-8000 | Retainer ring            | D80x2.5                                 |
| 43   | 2    | 591122-06003 | Shaft seal               | D60/80x12                               |
| 44   | 2    | 91122-06001  | Shaft seal               | D60/75x8                                |
| 45   | 2    | 591738-10601 | Needle bush              | D60/72x35                               |



TDM2-VE1.DS4

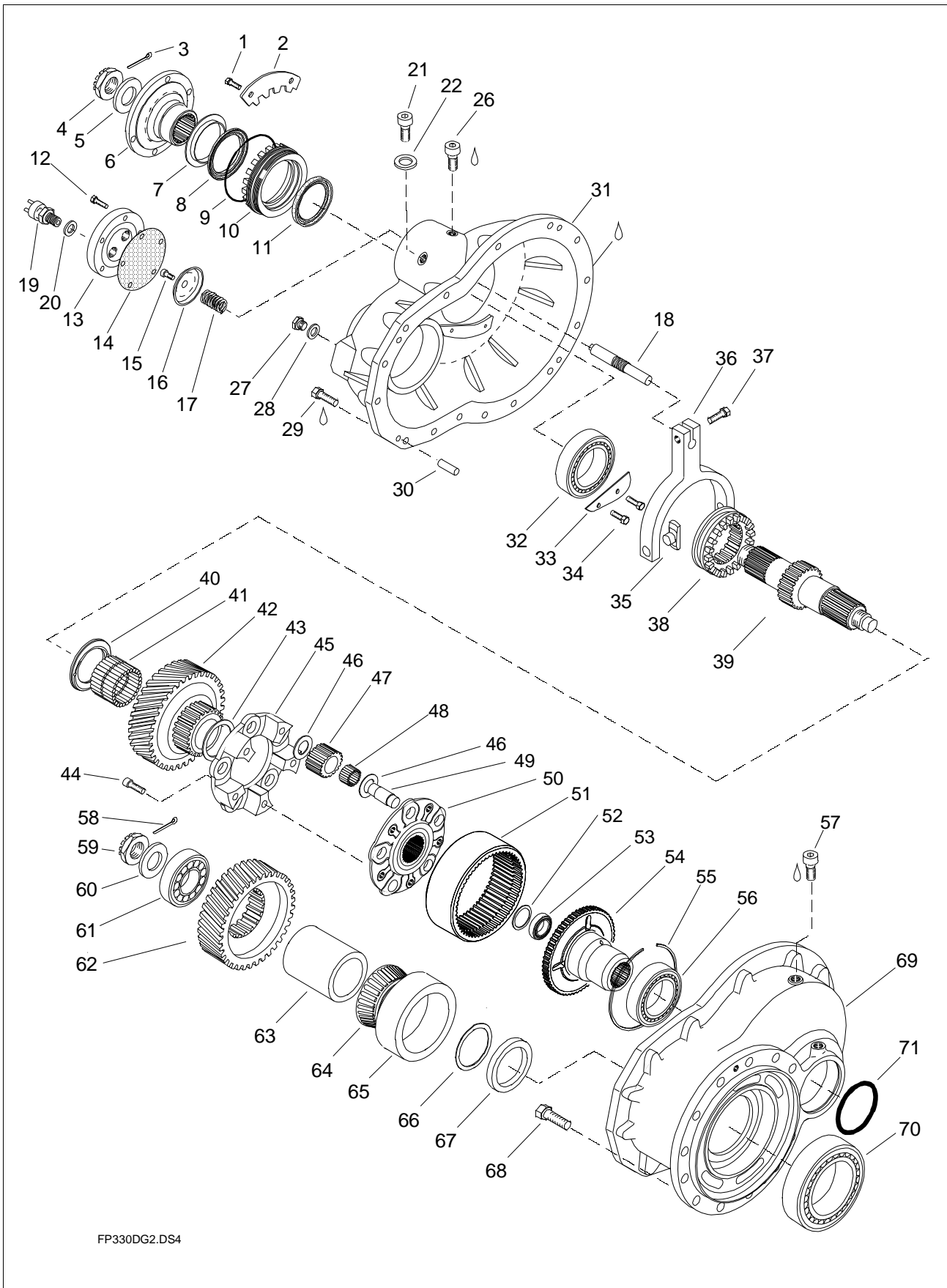


| Item | Qty. | Order no.    | Description              | Note                                 |
|------|------|--------------|--------------------------|--------------------------------------|
| 1    | 1    | 144-210-1911 | Differential Carrier     | Inc. Bearing Case Halfs              |
| 2    | ar   | 144-239-2000 | Shim                     | (1.0 mm)                             |
| 2    | ar   | 144-239-2001 | Shim                     | (0.5 mm)                             |
| 2    | ar   | 144-239-2002 | Shim                     | (0.2 mm)                             |
| 2    | ar   | 144-239-2003 | Shim                     | (0.1 mm)                             |
| 3    | 1    | 591600-20823 | Name plate               |                                      |
| 4    | 4    | 90111-29054  | Rivet                    | D2.9x5                               |
| 5    | 4    | 590604-08141 | Pin                      | Ø8x14                                |
| 6    | 2    | 143-214-2180 | Bearing Case Half        | Not Serviced Separately              |
| 7    | 4    | 90301-20377  | Hex Screw                | M20x130                              |
| 8    | 4    | 90303-08103  | Hex Screw                | M8x10                                |
| 9    | 2    | 143-227-0610 | Lock Washer              |                                      |
| 10   | 2    | 143-226-0012 | Adjusting nut            | D149                                 |
| 11   | 2    | 090-121-4700 | Bearing outer race       |                                      |
| 12   | 2    | 090-110-9000 | Bearing inner race       |                                      |
| 13   | 1    | 543-240-3419 | Ring and pinion gear set | 14/27, FR 7.01                       |
| 13   | 1    | 543-240-3421 | Ring and pinion gear set | 17/26, Final Ratio 5.56              |
| 13   | 1    | 543-240-3429 | Ring and pinion gear set | 16/28, FR 6.36                       |
| 13   | 1    | 543-240-3451 | Ring and pinion gear set | 12/29, FR 8.79                       |
| 13   | 1    | 543-240-3481 | Ring and pinion gear set | 10/29, FR 10.55                      |
| 13   | 1    | 543-240-6411 | Ring and pinion gear set | 25/32, FR 4.65 and lower             |
| 14   | 12   | 90321-16538  | Hex Screw                | M16x1.5                              |
| 15   | 1    | 144-341-1700 | Sliding Gear             |                                      |
| 16   | 1    | 090-359-7000 | Thrust washer            | D97/127x3                            |
| 17   | 1    | 143-310-3811 | Diff. case assy          |                                      |
| 18   | 1    | 543-351-4310 | Side gear                | D55/Z26                              |
| 19   | 4    | 143-341-0700 | Pinion gear              |                                      |
| 20   | 4    | 143-345-0400 | Thrust washer            | D29/65x1.5                           |
| 21   | 1    | 143-331-0603 | Spider                   |                                      |
| 22   | 1    | 543-351-4210 | Side gear                | D55/Z26                              |
| 23   | 1    | 090-357-5000 | Thrust washer            | D75/111x3                            |
| 24   | 12   | 90556-16247  | Nut                      | M16x1.5                              |
| 25   | 5    | 90303-08203  | Hex Screw                | M8x20                                |
| 26   | 1    | 572-161-1502 | Membrane cover           | For Signal Lamp Switch               |
| 27   | 1    | 172-351-1202 | Membrane                 |                                      |
| 28   | 1    | 90319-08206  | Screw                    | M8x20                                |
| 29   | 1    | 172-361-0410 | Push plate               | D70x12                               |
| 30   | 1    | 097-122-0100 | Return spring            | D29.5x43                             |
| 31   | 1    | 172-212-1710 | Sliding Shaft            | D16/20x125                           |
| 32   | 1    | 144-751-1210 | Control fork             |                                      |
| 33   | 1    | 90313-06208  | Allen Screw              | M6x20                                |
| 34   | 2    | 133-348-0710 | Sliding shoe             |                                      |
| 35   | 1    | 90335-05108  | Stopping screw           | M5x10                                |
| 36   | 1    | 91711-06500  | Retainer ring            | D65                                  |
| 37   | 1    | 144-348-0000 | Sliding ring             |                                      |
| 38   | 1    | 586-490-0381 | Signal Lamp Switch       | M18x1.5, connection M27x1.5          |
| 38   | 1    | 586-490-0481 | Signal Lamp Switch       | M18x1.5, connection DIN72585 bayonet |
| 39   | 1    | 91201-18150  | Seal ring                | D18/22x1.5 Cu                        |



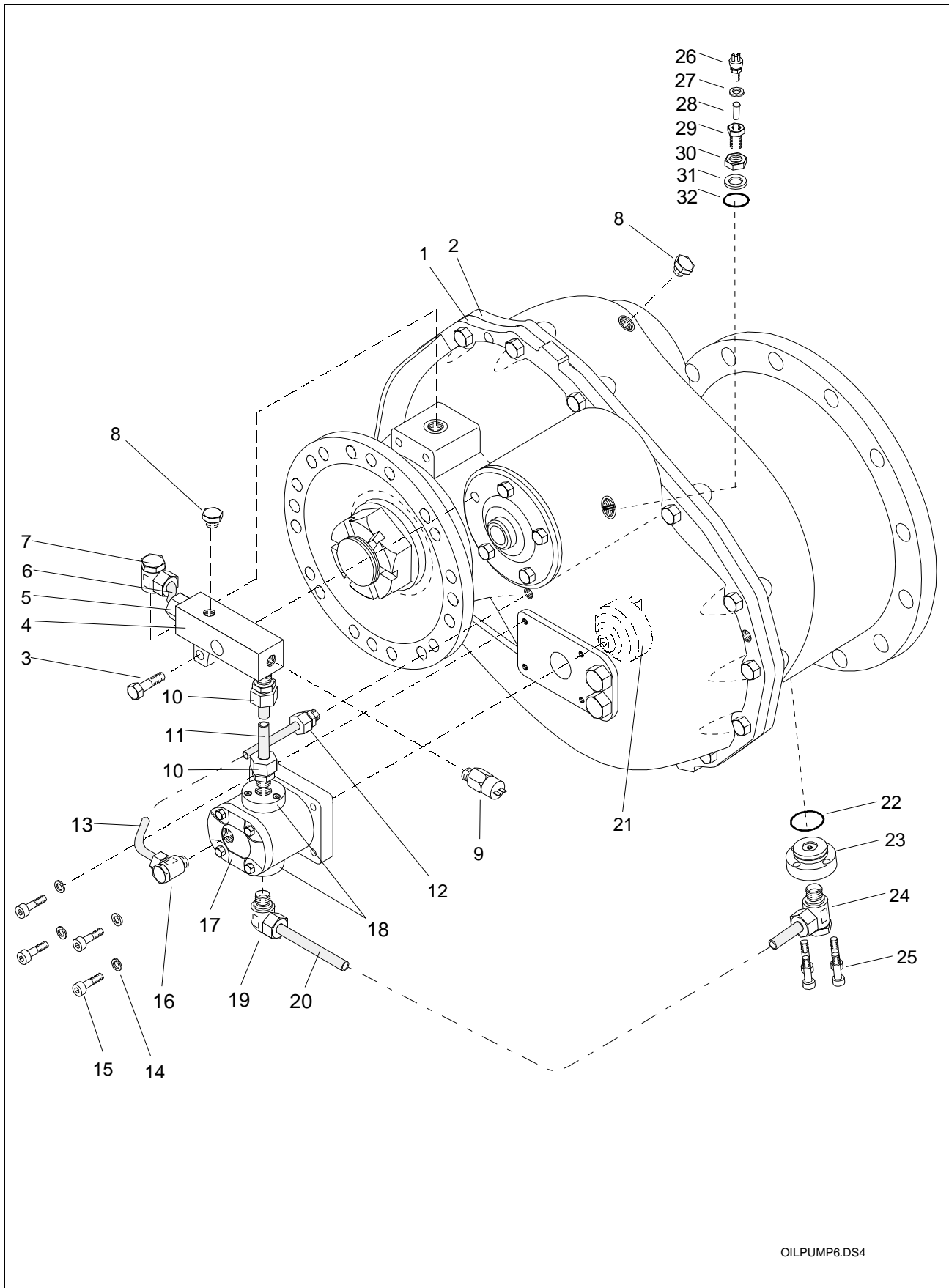
FP330DG2.DS4

| Item | Qty. | Order no.    | Description         | Note   |
|------|------|--------------|---------------------|--|
| 1    | 2    | 90303-08203  | Hex Screw           | M8x20  |
| 2    | 1    | 143-227-0710 | Lock Washer         |  |
| 3    | 1    | 90621-63633  | Split pin           | D6.3x63  |
| 4    | 1    | 90546-42653  | Nut                 | M42x1.5  |
| 5    | 1    | 90705-43069  | washer              | D43/80x6                                       |
| 6    | 1    | 538-918-0511 | Flange              | ISO 8667 - T180                                |
| 6    | 1    | 538-918-0900 | Flange              | HS 1700/1800                                   |
| 7    | 0    | 0            |                     | Not installed                                  |
| 8    | 1    | 591122-08507 | Shaft seal          | Cassette seal D85/120x9/20                     |
| 9    | 1    | 91101-39530  | O-ring              | D139.5x3                                       |
| 10   | 1    | 543-226-1400 | Adjusting nut       | For cassette seal                              |
| 11   | 0    | 0            |                     | Not installed                                  |
| 12   | 5    | 90303-08203  | Hex Screw           | M8x20  |
| 13   | 1    | 172-161-0701 | Membrane cover      | Only w/pressure lubrication                    |
| 13   | 1    | 572-161-1502 | Membrane cover      | Standard, w/signal lamp switch thread          |
| 14   | 1    | 172-351-1202 | Membrane            |  |
| 15   | 1    | 90319-08206  | Screw               | M8x20  |
| 16   | 1    | 172-361-0410 | Push plate          | D70x12   |
| 17   | 1    | 097-122-0100 | Return spring       | D29.5x43                                       |
| 18   | 1    | 172-212-1710 | Sliding Shaft       | D16/20x125                                     |
| 19   | 1    | 586-490-0381 | Signal Lamp Switch  | M18x1.5, connection M27x1.5                    |
| 19   | 1    | 586-490-0481 | Signal Lamp Switch  | M18x1.5, connection DIN72585 bayonet           |
| 20   | 1    | 91201-18150  | Seal ring           | D18/22x1.5 Cu                                  |
| 21   | 1    | 90871-18173  | Plug screw          | M18x1.5  |
| 22   | 1    | 91201-18150  | Seal ring           | D18/22x1.5 Cu                                  |
| 26   | 1    | 90873-10053  | Plug screw          | M10x1, Allen head                              |
| 27   | 2    | 90871-22193  | Plug screw          | M22x1.5, hex head                              |
| 28   | 2    | 91201-22150  | Seal ring           | D22/27x1.5 Cu                                  |
| 29   | 16   | 90303-12308  | Hex Screw           | M12x30   |
| 30   | 2    | 90604-10201  | Cotter Pin          | D10x20   |
| 31   | 1    | 544-221-0700 | Diff. Carrier Cover | w/o pressure lubrication                       |
| 32   | 1    | 91744-00704  | T. Roller bearing   |  |
| 33   | 1    | 546-167-1101 | Oil Plate           |  |
| 34   | 2    | 90303-08203  | Hex Screw           | M8x20  |
| 35   | 2    | 133-348-1701 | Sliding shoe        |  |
| 36   | 1    | 144-751-1300 | Control fork        |  |
| 37   | 1    | 90313-08208  | Allen Screw         | M8x20  |
| 38   | 1    | 544-274-0800 | Sliding Ring        | Ret. angle 0 deg., up to S/N 154399 (10/2005)  |
| 38   | 1    | 544-274-0910 | Sliding Ring        | Ret. angle 6 deg., since S/N 154400 (10/2005)  |
| 39   | 1    | 544-251-3600 | Intermediate Shaft  |  |
| 40   | 1    | 544-282-0100 | Spacer ring         | D75/99x6.5                                     |
| 41   | 1    | 591738-40751 | Needle bush         | D75/83x40                                      |
| 42   | 1    | 544-269-0910 | Gear assembly       | FR 4,65 and up, dog teeth ret. angle 0 deg.    |
| 42   | 1    | 544-269-1310 | Gear assembly       | FR 4,28, dog teeth ret. angle 0 deg.           |
| 42   | 1    | 544-269-1900 | Gear assembly       | FR 4,65 and up, dog teeth ret. angle 6 deg.    |
| 42   | 1    | 544-269-1910 | Gear assembly       | FR 4,28, dog teeth ret. angle 6 deg.           |
| 42   | 1    | 544-269-2000 | Gear assembly       | FR 4.11 (z34, ratio 1:0.882) ret. angle 6 deg. |
| 43   | 1    | 544-282-0210 | Spacer ring         | D67.5/85x4                                     |
| 44   | 5    | 90311-16508  | Allen Screw         | M16x50   |
| 45   | 1    | 535-231-1400 | Planet carrier      |  |
| 46   | 10   | 590-354-3210 | Spacer ring         | D32/54x1.47                                    |
| 47   | 5    | 535-241-1400 | Planet gear         |  |
| 48   | 5    | 591738-40321 | Needle bush         |  |
| 49   | 5    | 535-251-1500 | Planet gear shaft   |  |
| 50   | 1    | 541-441-1300 | Planet carrier      |  |



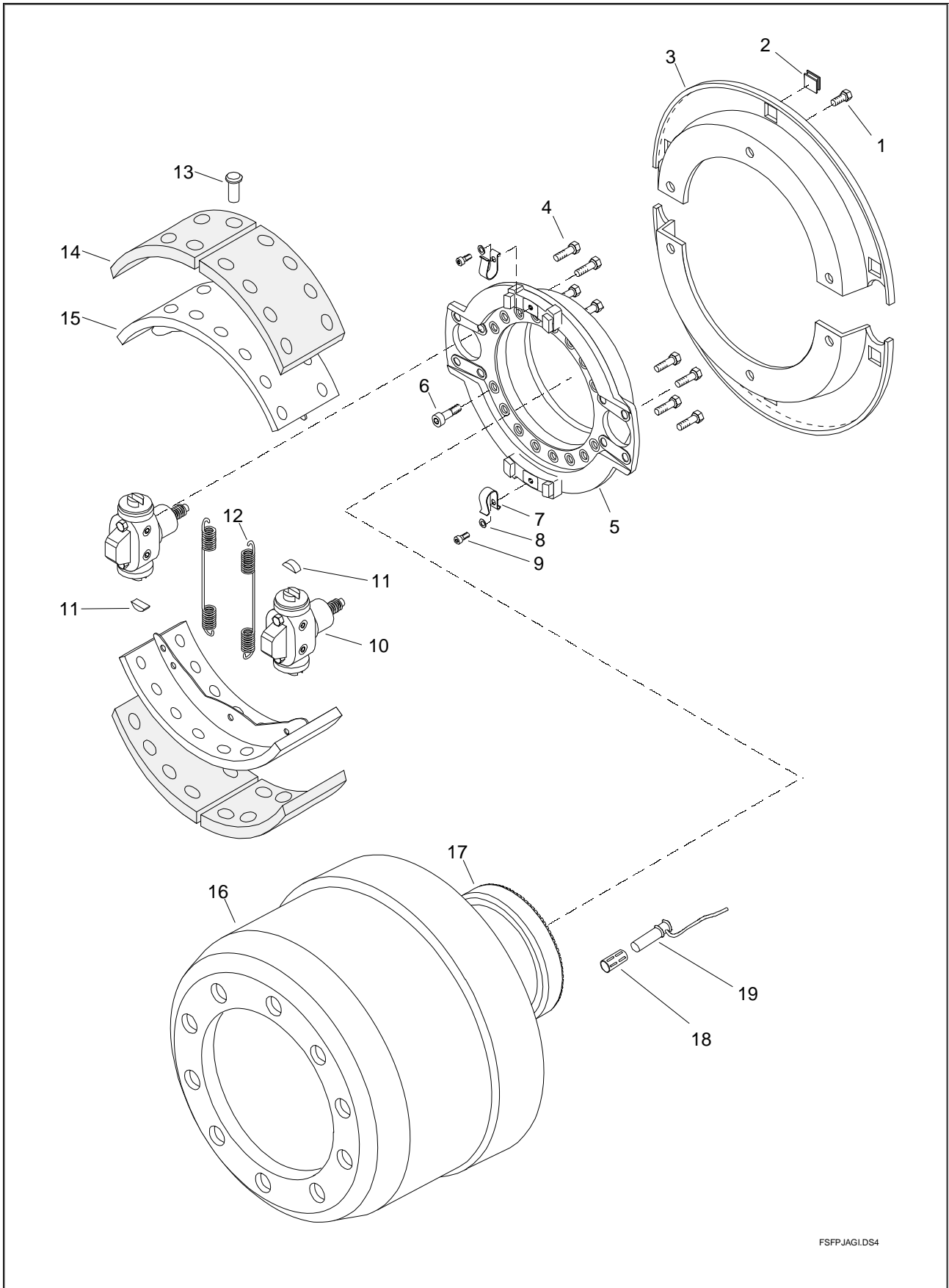
FP330DG2.DS4

| Item | Qty. | Order no.           | Description           | Note                              |
|------|------|---------------------|-----------------------|-----------------------------------|
| 51   | 1    | <b>535-261-2200</b> | Ring gear             |                                   |
| 52   | ar   | <b>90731-03510</b>  | Shim                  | (0.1 mm)                          |
| 52   | ar   | <b>90731-03520</b>  | Shim                  | (0.2 mm)                          |
| 52   | ar   | <b>90731-03550</b>  | Shim                  | (0.5 mm)                          |
| 52   | ar   | <b>90732-03510</b>  | Shim                  | (1.0 mm)                          |
| 53   | 1    | <b>591744-00352</b> | T. Roller bearing     |                                   |
| 54   | 1    | <b>535-271-0700</b> | Ring gear hub         |                                   |
| 55   | 1    | <b>591720-25001</b> | Retainer ring         | D250x3                            |
| 56   | 1    | <b>91744-00951</b>  | T. Roller bearing     |                                   |
| 57   | 1    | <b>90873-10053</b>  | Plug screw            | M10x1, Allen head                 |
| 58   | 1    | <b>90621-63633</b>  | Split pin             | 6.3x63                            |
| 59   | 1    | <b>90546-42653</b>  | Nut                   | M42x1.5                           |
| 60   | 1    | <b>90705-43069</b>  | washer                | D43/80x6                          |
| 61   | 1    | <b>591736-30553</b> | Roller bearing        |                                   |
| 62   | 1    | <b>544-261-2200</b> | Gear                  | FR 4.65 and over (z28, ratio 1:1) |
| 62   | 1    | <b>544-261-3300</b> | Gear                  | FR 4.28 (z34, ratio 1:0.919)      |
| 62   | 1    | <b>544-261-3410</b> | Gear                  | FR 4.11 (z30, ratio 1:0.882)      |
| 63   | 1    | <b>543-261-1200</b> | Spacer ring           | D66.5/86.5x80                     |
| 64   | 1    | <b>090-110-6740</b> | Bearing inner race    |                                   |
| 65   | 1    | <b>090-121-3700</b> | Bearing outer race    |                                   |
| 66   | ar   | <b>099-516-7000</b> | Shim                  | (0.1 mm)                          |
| 66   | ar   | <b>099-516-7001</b> | Shim                  | (0.3 mm)                          |
| 66   | ar   | <b>099-516-7002</b> | Shim                  | (0.5 mm)                          |
| 66   | ar   | <b>099-516-7003</b> | Shim                  | (0.25 mm)                         |
| 67   | ar   | <b>599-557-1050</b> | Spacer ring           | L=18.40                           |
| 67   | ar   | <b>599-557-1052</b> | Spacer ring           | L=18.44                           |
| 67   | ar   | <b>599-557-1054</b> | Spacer ring           | L=18.48                           |
| 68   | 12   | <b>90303-16407</b>  | Hex Screw             | M16x40, 10.9                      |
| 69   | 1    | <b>544-211-1600</b> | Diff. Carrier Housing | w/o pressure lubrication          |
| 70   | 1    | <b>91744-00681</b>  | T. Roller bearing     |                                   |
| 71   | 1    | <b>591106-99532</b> | O-ring                | D99.5x3                           |



OILPUMP6.DS4

| Item | Qty. | Order no.           | Description           | Note                  |
|------|------|---------------------|-----------------------|-----------------------|
| 1    | 1    | <b>544-221-0710</b> | Diff. Carrier Cover   | With oil pump         |
| 2    | 1    | <b>544-211-1610</b> | Diff. Carrier Housing | With oil pump         |
| 3    | 1    | <b>90303-08303</b>  | Hex Screw             | With oil pump         |
| 4    | 1    | <b>544-371-0000</b> | By-pass manifold      |                       |
| 5    | 1    | <b>591951-61014</b> | Fitting               | M14x1.5, 10 mm        |
| 6    | 1    | <b>579-615-0100</b> | Pipe                  | Dia 10 mm             |
| 7    | 1    | <b>591952-31008</b> | Fitting               | R1/4", 10 mm          |
| 8    | 2    | <b>90871-10143</b>  | Plug screw            | M10x1, hex head 14 mm |
| 9    | 1    | <b>586-340-0001</b> | Pressure switch       |                       |
| 9    | 1    | <b>91201-14150</b>  | Seal ring             | Cu 14x1.5             |
| 10   | 2    | <b>591951-51212</b> | Fitting               | R3/8", 12 mm          |
| 11   | 1    | <b>579-615-0810</b> | Pipe                  | Dia 12 mm             |
| 12   | 1    | <b>91950-11010</b>  | Pipe joint            | M10x1, 6 mm           |
| 13   | 1    | <b>579-615-0800</b> | Pipe                  | Dia 6 mm              |
| 14   | 4    | <b>90705-06423</b>  | washer                |                       |
| 15   | 4    | <b>90313-06208</b>  | Allen Screw           | M6x20                 |
| 16   | 1    | <b>591952-10604</b> | Fitting               | R1/8", 6 mm           |
| 17   | 1    | <b>573-010-0001</b> | Pump unit             |                       |
| 18   | 2    | <b>573-190-0001</b> | Spacer flange         | incl. screws          |
| 19   | 1    | <b>591952-11538</b> | Fitting               | R3/8", 15 mm          |
| 20   | 1    | <b>579-615-1000</b> | Pipe                  | Dia 15 mm             |
| 21   | 1    | <b>544-361-0000</b> | Shaft coupling        |                       |
| 22   | 1    | <b>591100-37020</b> | O-ring                | 37x2                  |
| 23   | 1    | <b>544-741-0010</b> | Flange                |                       |
| 24   | 1    | <b>591952-31512</b> | Fitting               | R1/2", 15 mm          |
| 25   | 4    | <b>90313-06208</b>  | Allen Screw           | M6x20                 |
| 26   | 1    | <b>186-490-0281</b> | Signal Lamp Switch    | M12x1.5               |
| 27   | 1    | <b>91201-12150</b>  | Seal ring             | D12/18x1.5            |
| 28   | 1    | <b>141-812-0100</b> | Control pin           |                       |
| 29   | 1    | <b>141-812-0000</b> | Binding screw         | M12x1.5/M18x1.5       |
| 30   | 1    | <b>91842-18243</b>  | Lock Nut              | M18x1.5               |
| 31   | 1    | <b>91838-18010</b>  | Pressure ring         | Ms DR/R 18x23         |
| 32   | 1    | <b>91838-18100</b>  | O-ring                | Ø16x2.5               |



FSFPJAGI.DS4



| Item | Qty. | Order no.           | Description               | Note   |
|------|------|---------------------|---------------------------|--|
| 1    | 12   | <b>90313-08123</b>  | Allen Screw               | M8x12  |
| 1    | 12   | <b>90705-08423</b>  | washer                    | D8.4/17x1.6                                  |
| 2    | 12   | <b>591426-02000</b> | Plug                      |  |
| 3    | 4    | <b>546-131-7011</b> | Dust Shield               |  |
| 4    | 16   | <b>590316-14358</b> | Screw                     | Not serviced separately                      |
| 4    | 16   | <b>590707-14223</b> | washer                    | Not serviced separately                      |
| 5    | 2    | <b>546-111-3601</b> | Brake Bracket             |  |
| 6    | 32   | <b>90311-16608</b>  | Allen Screw               | M16x60                                       |
| 7    | 4    | <b>546-817-0010</b> | Bracket                   | Including pos. 8 & 9                         |
| 8    | 4    | <b>590710-10547</b> | washer                    | Not serviced separately                      |
| 9    | 4    | <b>590317-10163</b> | Hex Screw                 | Not serviced separately                      |
| 10   | 2    | <b>546-011-0011</b> | Expander                  | RH, Including pos. 4                         |
| 10   | 2    | <b>546-011-0021</b> | Expander                  | LH, Including pos. 4                         |
| 11   | 4    | <b>546-358-0300</b> | Sliding shoe              |  |
| 12   | ar   | <b>546-099-0001</b> | Repair kit of springs     | For two wheels (inc. 7-9,12)                 |
| 12   | 4    | <b>592052-24002</b> | Return spring             | Not serviced separately                      |
| 13   | 96   | <b>591501-00991</b> | Rivet                     | Not serviced separately                      |
| 14   | ar   | <b>546-360-2111</b> | Brake lining set          | For two wheels, including rivets             |
| 14   | ar   | <b>546-360-2121</b> | Br. lining set(over size) | For two wheels, including rivets             |
| 15   | 4    | <b>546-309-9811</b> | Brake shoe assy           | Complete with linings                        |
| 16   | 2    | <b>546-311-8111</b> | Brake drum                | Supersession for 146-311-7210 & 546-311-8200 |
| 17   | 2    | <b>589-291-0300</b> | Ring gear                 | ABS  |
| 18   | 2    | <b>189-295-0000</b> | Bush                      | ABS  |
| 19   | 2    | <b>189-250-0071</b> | Sensor                    | ABS, Wabco, wire 1m                          |
| 19   | 2    | <b>589-250-0081</b> | Sensor                    | ABS, Knorr, protected wire 2m                |