

SISU AXLES

SPARE PARTS BOOK

Front Axle

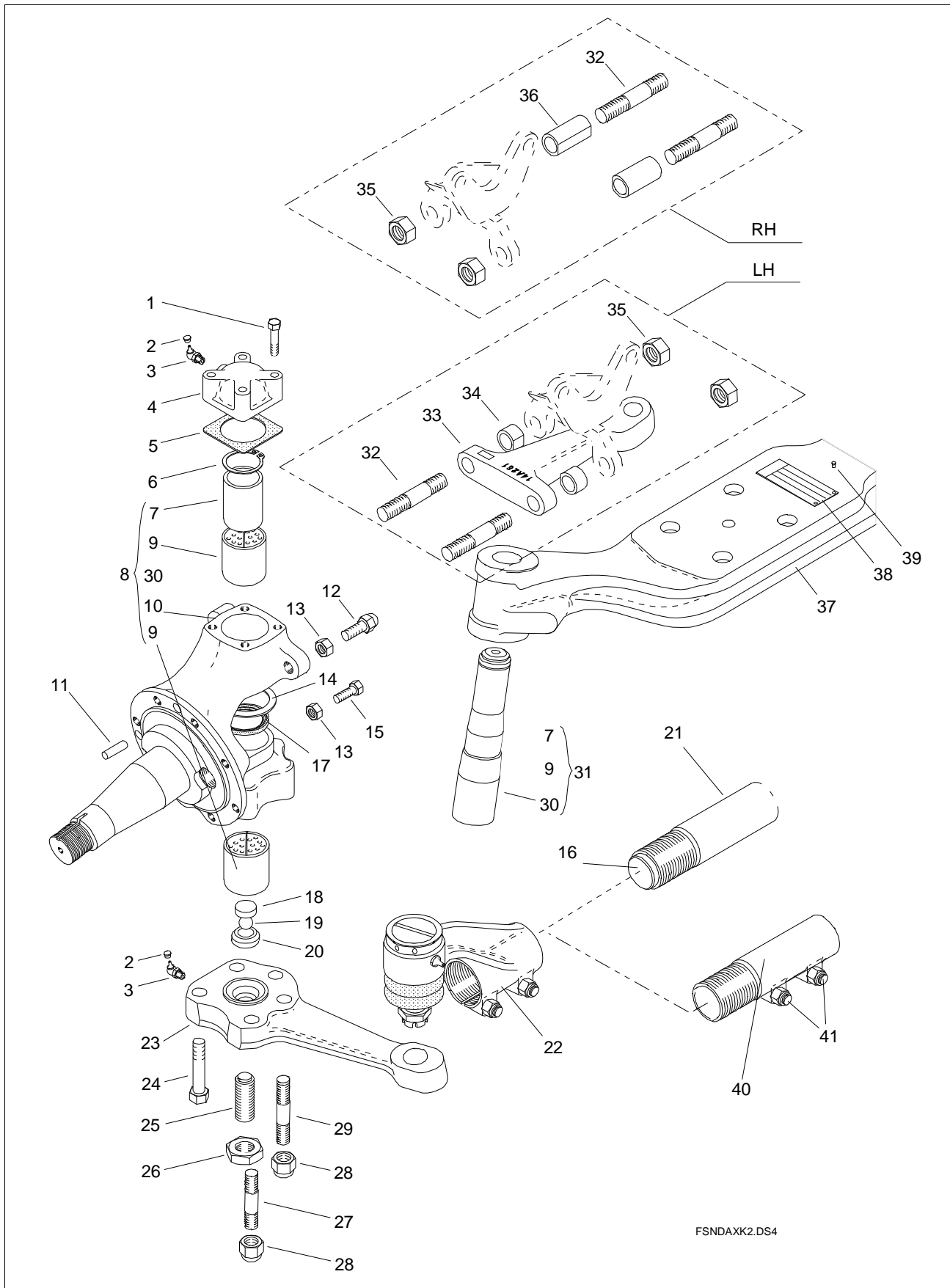
FSND

X40-029/036-XXXX 8 ton

X40-030/044-XXXX 9 ton

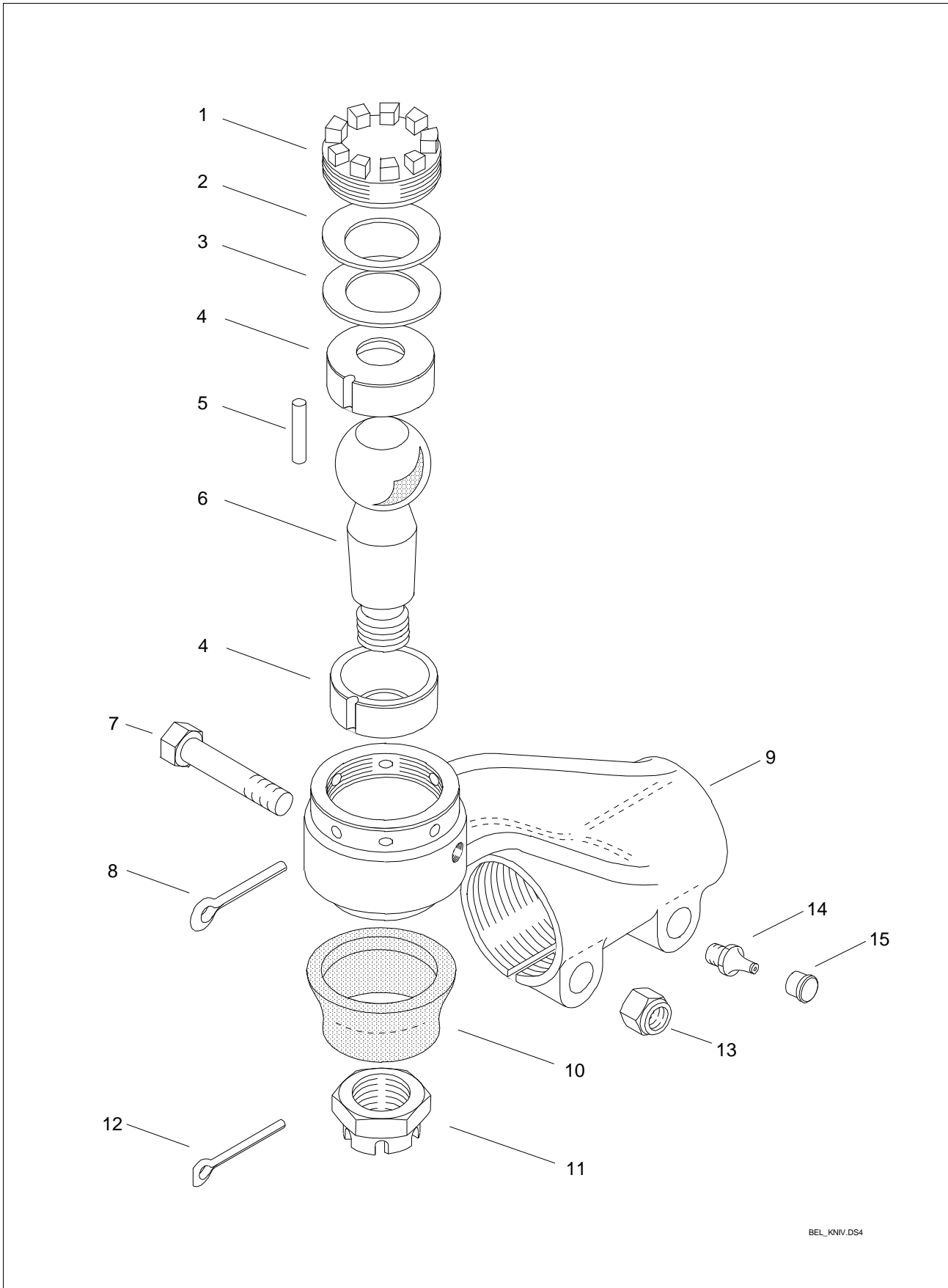
Book No. 118 (9/2008)

Sisu Axles, Inc.
Autotehtaan tie 1
PO Box 189
FIN-13101 Hämeenlinna
Finland
Phone +358 204 55 2999
Fax +358 204 55 2900



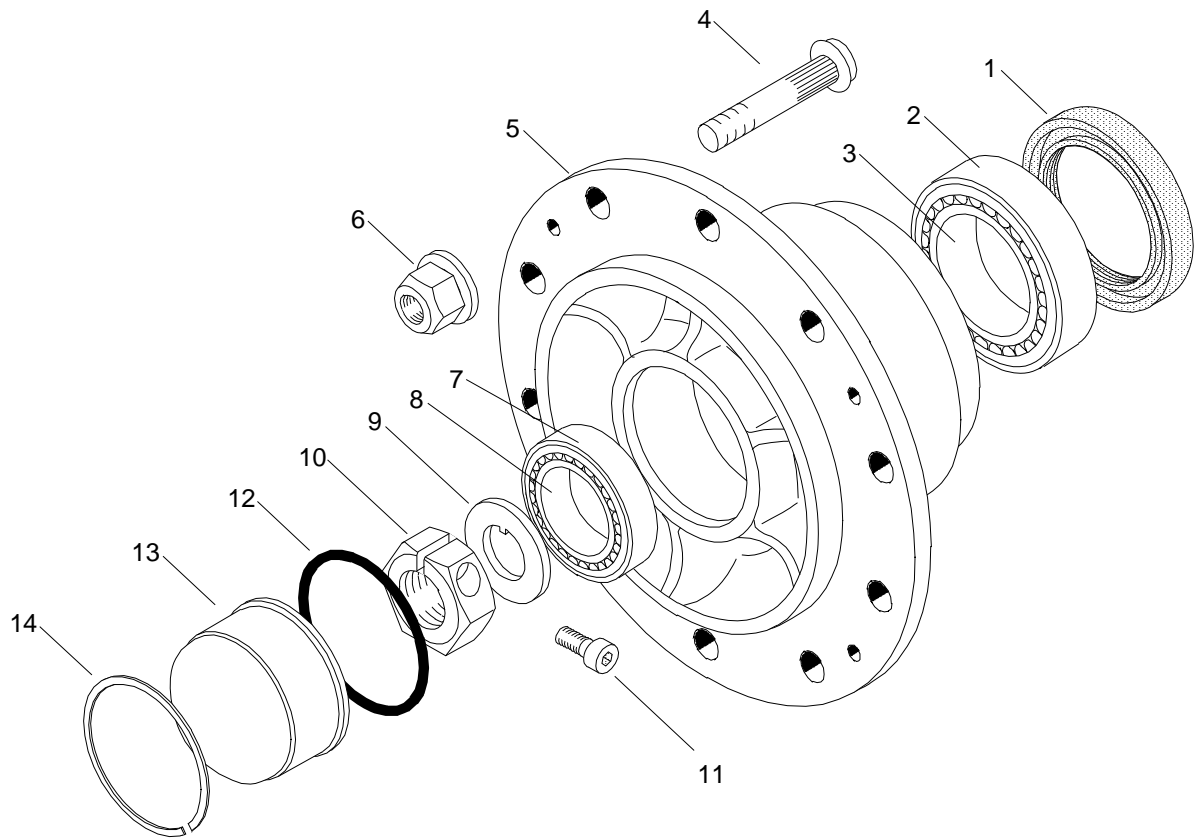
FSNDAXK2.DS4

Item	Qty.	Order no.	Description	Note
1	8	90303-08403	Hex Screw	M8x40
2	4	91421-06060	Shield hat	
3	4	91402-10003	Grease nipple	M10x1, Straight
4	2	140-123-0900	King pin cover	
5	2	140-124-0300	Gasket	
6	2	91711-03800	Retainer ring	D38x1.75
7	2	099-603-8090	Bush	Up to ser. No. 73203
7	2	599-603-8190	Bush	Since Ser. No. 73204
8	2	540-140-1411	Steering knuckle assy	8t, Supersedes item 140-140-0411
8	2	540-140-1412	Steering knuckle assy	8t, ABS, Supersedes item 140-140-0412
8	2	540-140-1421	Steering knuckle assy	9t, Supersedes item 140-140-0421
8	2	540-140-1422	Steering knuckle assy	9t, ABS, Supersedes item 140-140-0422
9	4	590-314-8100	Sleeve	D50/55x60
10	2	140-141-2110	Steering knuckle	8t
10	2	140-141-2111	Steering knuckle	8t, ABS
10	2	140-141-2200	Steering knuckle	9t
10	2	140-141-2201	Steering knuckle	9t, ABS
11	2	90602-14323	Spring cotter	D14x32
12	2	140-249-1400	Stop screw	Trippeli, Total L=80mm
12	2	140-249-1500	Stop screw	Front, Total L=65mm
13	4	90502-16243	Nut	M16
14	2	090-354-9000	Thrust washer	D48.5/70x1.5
15	2	140-249-1210	Stop screw	Rear, Total L=52mm
15	2	140-249-1400	Stop screw	Trippeli, Total L=80mm
16	2	91425-34170	Plug	BI 55
17	4	090-500-4840	Shaft seal	D48/55x4
18	2	092-861-7010	Ball seat	D25.4
19	2	090-000-1600	Ball	RB 16
20	2	092-861-7000	Ball seat	D30.16
21	1	140-211-3800	Tie rod	2056 Track, L=1592
21	1	140-211-4100	Tie rod	2006 Track, L=1562
21	1	140-211-4400	Tie rod	Trippeli, 2006 Track, L=1405
21	1	540-211-5600	Tie rod	Trippeli, 2056 Track, L=1455
22	1	140-202-0914	Ball Joint Assembly	LH, RH Thread, SISU
22	1	140-203-0914	Ball Joint Assembly	RH, LH Thread, SISU
22	1	540-202-0917	Ball Joint Assembly	LH, RH-thread, TRW
22	1	540-203-0917	Ball Joint Assembly	RH, LH-thread, TRW
23	1	140-241-5000	Tie rod arm	RH
23	1	140-241-5010	Tie rod arm	LH
24	4	90313-16408	Allen Screw	M16x40
25	2	099-124-9010	Special screw	M24
26	2	90502-24363	Nut	M24
27	2	099-116-0500	Stud bolt	M16x48 (Total L= 70 mm)
28	6	90550-16247	Nut	M16 self locking
29	4	099-116-0520	Stud bolt	M16x70 (Total L= 92 mm)
31	ar	540-120-0031	King pin kit	For one wheel
32	4	90177-02001	Stud bolt	M20x127
33	1	140-261-5110	Steering arm	LH, 193 mm
33	1	540-261-8400	Steering arm	LH, L=198 mm
34	2	099-602-1180	Bush	L=16 mm
35	4	90550-20307	Nut	M20 self locking
36	2	099-602-1320	Bush	L=40 mm
37	1	140-111-3600	Front axle beam	Spg c/c 862, Track 2006
37	1	140-111-3610	Front axle beam	Spg c/c 862, Track 2006, anti roll bar
37	1	540-111-4310	Front axle beam	Spg c/c 862, Track 2056 mm, Trippeli
37	1	540-111-4500	Front axle beam	Spg c/c 912, Track 2056, anti roll bar
37	1	540-111-5010	Front axle beam	Spg c/c 850, Track 2056
38	1	591600-20823	Name plate	
39	4	90111-29054	Rivet	D2.9x5
40	1	140-216-0210	Adj. piece	Trippeli
41	2	90303-12603	Hex Screw	Trippeli
41	2	90550-12193	Nut	Trippeli



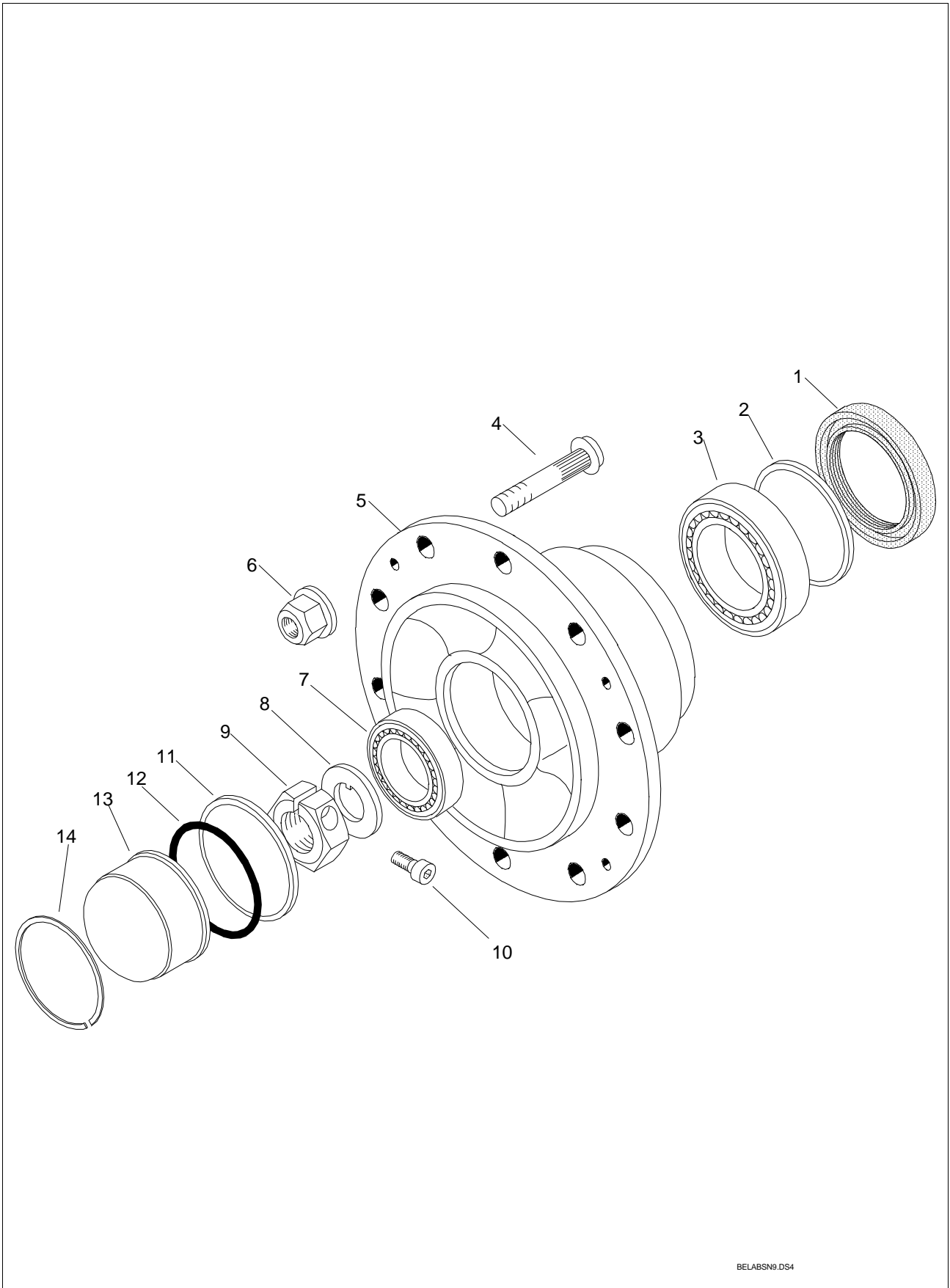
BEL_KNIV.DS4

Item	Qty.	Order no.	Description	Note
1	2	140-227-0311	Cover	
2	2	92055-25460	Disc spring	D50/25.4x1.5
3	2	90700-29001	Spacer plate	D29/50x2
4	4	140-225-0400	Ball seat	
5	2	090-005-0390	Needle roller	D3x25.4
6	2	140-229-1310	Ball stud	D40
7	4	90303-12603	Hex Screw	M12x60
8	2	90621-50323	Split pin	D5x32
9	1	140-221-0900	Balljoint housing	RH Thread
9	1	140-222-0900	Balljoint housing	LH Thread
10	2	090-610-2610	Dust membrane	
11	2	90546-24363	Nut	M24x1.5
12	2	90621-50453	Split pin	D5x45
13	4	90550-12193	Nut	M12, self locking
14	2	91402-10003	Grease nipple	M10x1, Straight
15	2	91421-06060	Shield hat	



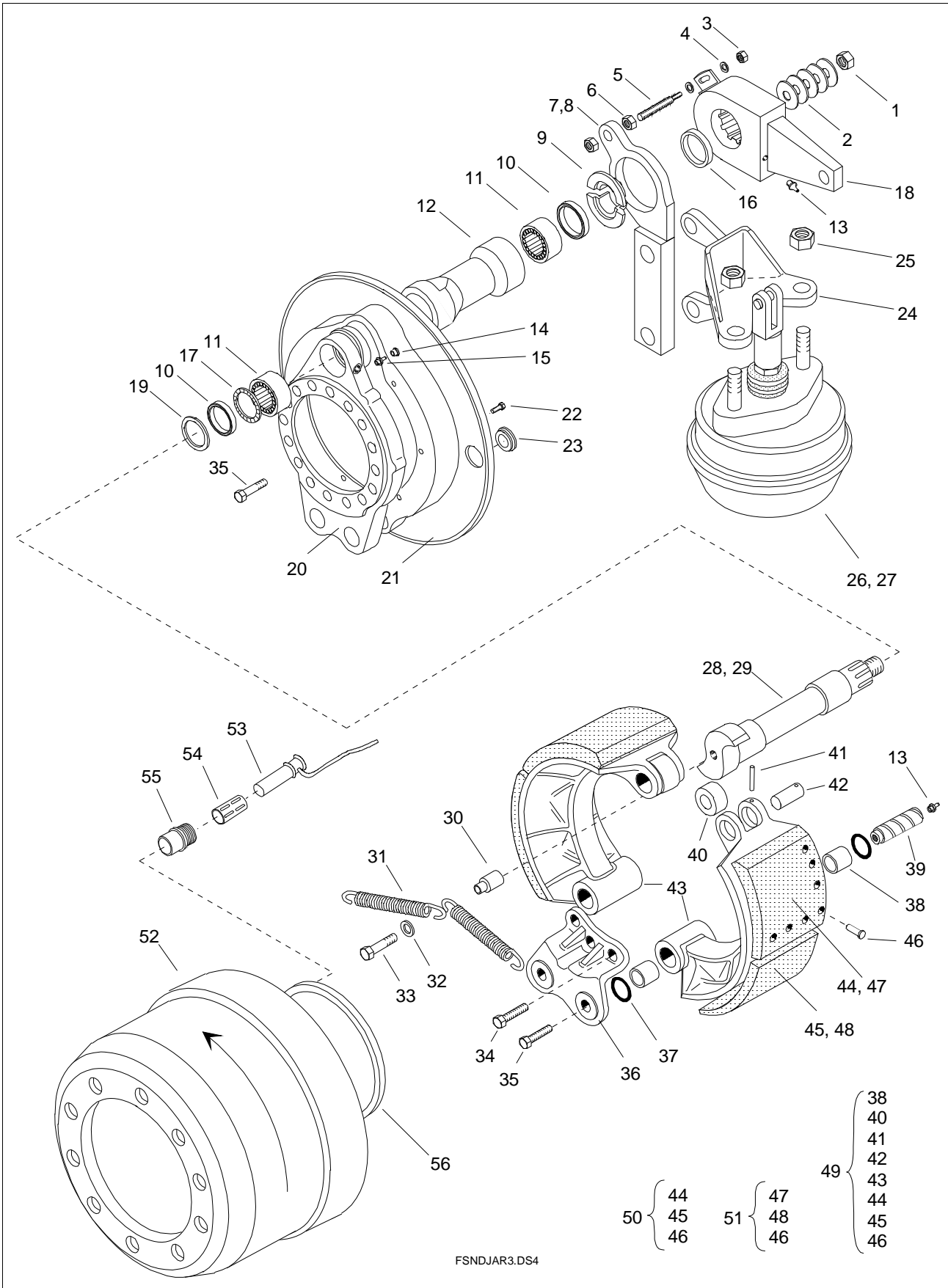
BEL_NAPADS4

Item	Qty.	Order no.	Description	Note
1	2	090-501-0001	Shaft seal	D100/125x13
2	2	090-121-2400	Bearing outer race	
3	2	090-110-6600	Bearing inner race	
4	20	140-911-2500	Wheel bolt	L=76 mm
5	2	140-411-2208	Wheel hub	8 tn
6	20	540-916-1610	Wheel nut	M22x1.5
7	2	090-120-9000	Bearing outer race	
8	2	090-110-4600	Bearing inner race	
9	2	099-413-9070	washer	D40/68x6
10	NLA	099-239-3060	Lock Nut	M39x2, superceded by 599-239-3061
10	2	599-239-3061	Lock Nut	M39x2, Locking screw thread M12x1.25
11	2	590316-12408	Allen Screw	M12x1.25x40, for item 599-239-3061
11	ar	90311-12408	Allen Screw	M12x40, for item 099-239-3060
12	2	090-511-0520	O-ring	D105x3.0
13	2	140-422-0010	Protective cup	
14	2	91720-11003	Retainer ring	SB 110



BELABS9.DS4

Item	Qty.	Order no.	Description	Note
1	2	91122-10001	Shaft seal	D100/130x12
2	2	140-415-0910	Spacer ring	D124/130x8
3	2	91744-00705	T. Roller bearing	
4	20	140-911-2500	Wheel bolt	L=76 mm
5	2	140-411-2400	Wheel hub	9 tn
6	20	540-916-1610	Wheel nut	M22x1.5
7	2	91744-00503	T. Roller bearing	
8	2	099-413-9070	washer	D40/68x6
9	NLA	099-239-3060	Lock Nut	M39x2, superceded by 599-239-3061
9	2	599-239-3061	Lock Nut	M39x2, Locking screw thread M12x1.25
10	2	590316-12408	Allen Screw	M12x1.25x40, for item 599-239-3061
10	ar	90311-12408	Allen Screw	M12x40, for item 099-239-3060
11	2	140-415-0900	Spacer ring	
12	2	090-511-0520	O-ring	D105x3.0
13	2	140-422-0010	Protective cup	
14	2	91720-11003	Retainer ring	SB 110



FSNDJAR3.DS4

Item	Qty.	Order no.	Description	Note
1	2	90550-16247	Nut	M16 self locking
2	10	592055-18330	Disc spring	Supercedes item 92055-18323
3	2	90502-08133	Nut	M8
4	4	90705-08423	washer	D8.4/17x1.6
5	2	90177-01203	Stud bolt	M12/M8
6	4	90502-12193	Nut	M12
7	1	146-223-1300	Supporting bracket	RH
8	1	146-223-1310	Supporting bracket	LH
9	4	146-591-0270	Retainer sleeve	
10	4	91122-04201	Shaft seal	D42/55x8
11	4	090-060-4220	Needle bush	D52/42x20
12	2	146-221-0910	Bearing housing	
13	6	91402-10003	Grease nipple	M10x1, Straight
14	6	91421-06060	Shield hat	
15	2	91402-10453	Grease nipple	M10x1, 45°
16	2	146-591-0300	Support ring	Only with automatic slack adjuster
17	2	91246-42052	Spacer plate	D42/52
18	2	146-530-0811	Slack adjuster	R145, offset 0, automatic
18	2	546-530-3311	Slack adjuster	L=165 mm, offset 0, automatic
19	2	91726-43065	Support ring	D43/65x3
20	2	146-111-2410	Brake Bracket	
21	2	146-131-2110	Dust Shield	
22	14	90303-08123	Hex Screw	M8x12
23	4	095-553-2000	Shield plug	D33/44
24	2	146-711-2001	Chamber bracket	R145/165
24	2	146-711-3011	Chamber bracket	Air suspension
25	4	90556-16247	Nut	M16x1.5
26	2	172-101-2211	Brake chamber	16"
26	2	172-101-2241	Brake chamber	20"
26	2	172-103-3111	Spring Brake Chamber	24"/24", L=143, Knorr
28	1	146-211-7200	S-cam shaft	LH, L=325.5
29	1	146-211-7300	S-cam shaft	RH, L=325.5
30	6	599-601-8900	Bush	D12/20/25x36
31	4	92052-30002	Return spring	D30x165.5
32	6	90705-13023	washer	D13/24x2.5
33	6	90303-12603	Hex Screw	M12x60
34	20	90303-14307	Hex Screw	M14x30
35	4	90303-10203	Hex Screw	M10x20
36	2	146-331-0400	Anchor support	
37	8	91106-36212	O-ring	D36,2x3 Viton
38	8	590-313-2091	Sleeve	Sub. for 090-313-2090
39	4	146-341-1200	Anchor bolt	With grease nipple
39	4	146-341-1210	Anchor bolt	W/o grease nipple
40	4	146-371-0700	Roller	D25/54x28
41	4	90602-05450	Spring cotter	D5x40
42	4	146-373-0201	Pin	Substitute for 146-373-0200
43	4	146-351-4000	Brake shoe	180 mm
43	4	146-351-4200	Brake shoe	150 mm, Trippeli
46	96	91501-00819	Rivet	D6.2/12.3x18.3
49	4	546-306-0022	Brake shoe assy	150 mm, DB5010, Trippeli
49	4	546-306-0052	Brake shoe assy	180 mm, DB5010
50	ar	546-360-3012	Brake lining set	180mm, DB5010, for one wheel
50	ar	546-360-3212	Brake lining set	150mm, DB5010, for one wheel
52	2	146-311-7100	Brake drum	D410x180 mm
53	2	189-250-0071	Sensor	Wabco
53	2	589-250-0081	Sensor	Knorr, protected wire
54	2	189-295-0000	Bush	Wabco 899 760 510
55	2	095-124-8040	Fitting	Replaces item 095-124-8030
56	2	189-291-0100	Ring gear	D152/170x13 (100)