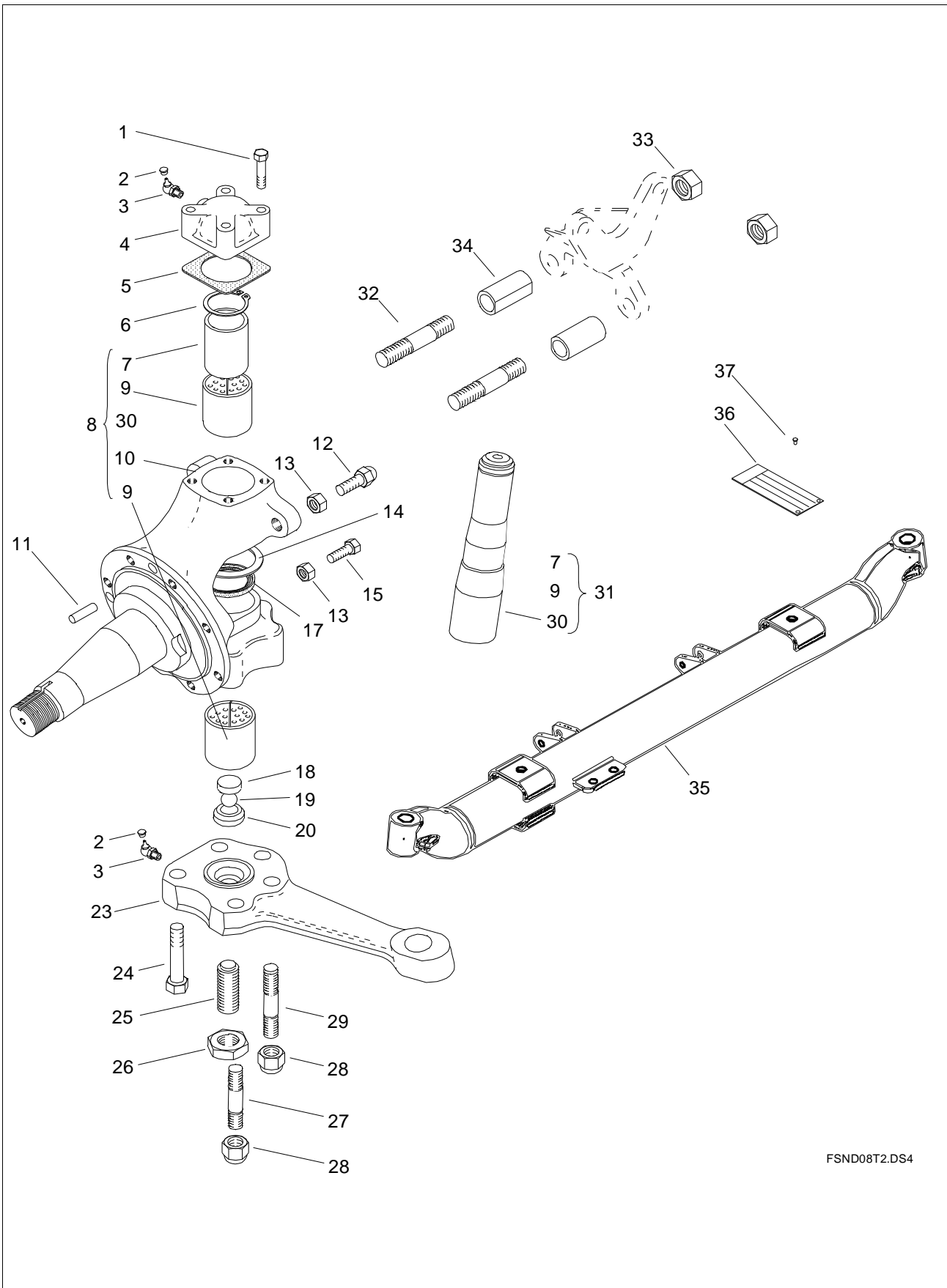


SISU AXLES

SPARE PARTS BOOK

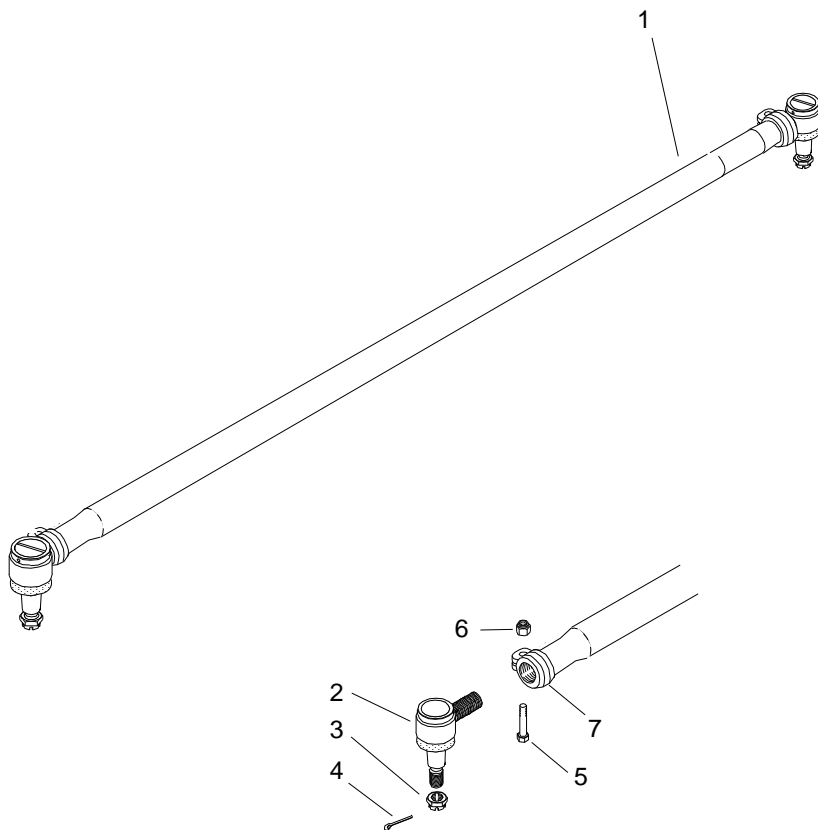
**Rear Axle
FSND
FSND08S0000/020
540-030-3114
Book No. 364 (2/2008)**

Sisu Axles, Inc.
Autotehtaan tie 1
PO Box 189
FIN-13101 Hämeenlinna
Finland
Phone +358 204 55 2999
Fax +358 204 55 2900



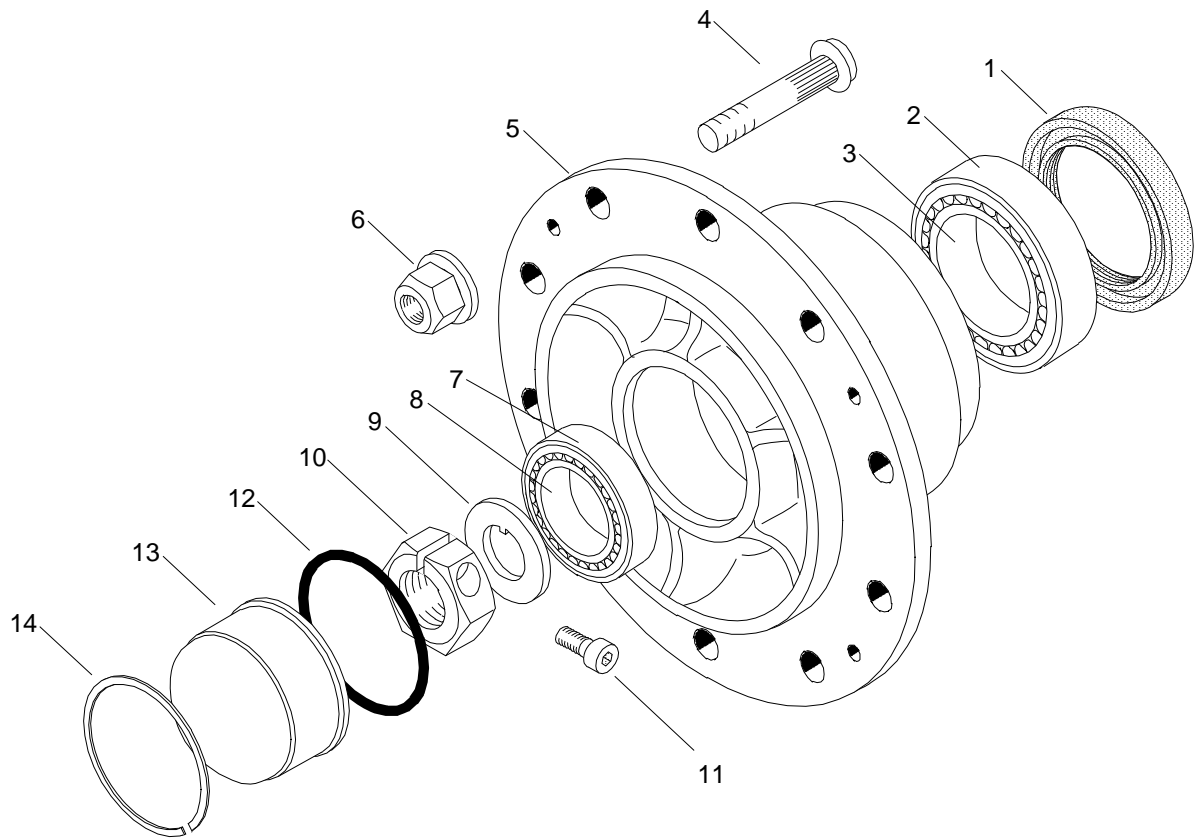
FSND08T2.DS4

Item	Qty.	Order no.	Description	Note
1	8	90303-08403	Hex Screw	M8x40
2	4	91421-06060	Shield hat	
3	4	91402-10003	Grease nipple	M10x1, Straight
4	2	140-123-0900	King pin cover	
5	2	140-124-0300	Gasket	
6	2	91711-03800	Retainer ring	D38x1.75
7	2	599-603-8190	Bush	Not serviced separately
8	2	540-140-1411	Steering knuckle assy	8t
9	4	590-314-8100	Sleeve	Not serviced separately
10	2	140-141-2110	Steering knuckle	Not serviced separately
11	2	90602-14323	Spring cotter	D14x32
12	2	140-249-1500	Stop screw	Total L=65mm
13	4	90502-16243	Nut	M16
14	2	090-354-9000	Thrust washer	D48.5/70x1.5
15	2	140-249-1500	Stop screw	Total L=65mm
17	4	090-500-4840	Shaft seal	D48/55x4
18	2	092-861-7010	Ball seat	D25.4
19	2	090-000-1600	Ball	RB 16
20	2	092-861-7000	Ball seat	D30.16
23	1	540-241-7900	Tie rod arm	RH
23	1	540-241-7910	Tie rod arm	LH
24	4	90313-16408	Allen Screw	M16x40
25	2	099-124-9010	Special screw	M24x54
26	2	90502-24363	Nut	M24
27	2	099-116-0520	Stud bolt	M16x70 (Total L= 92 mm)
28	6	90550-16247	Nut	M16 self locking
29	4	099-116-0520	Stud bolt	M16x70 (Total L= 92 mm)
30	2	540-121-1600	King pin	Not serviced separately
31	ar	540-120-0031	King pin kit	For one wheel
32	4	90177-02001	Stud bolt	M20x127
33	4	90550-20307	Nut	M30
34	4	099-602-1320	Bush	L=40 mm
35	1	540-111-5000	Front axle beam	
36	1	591600-20823	Name plate	
37	4	90111-29054	Rivet	D2.9x5



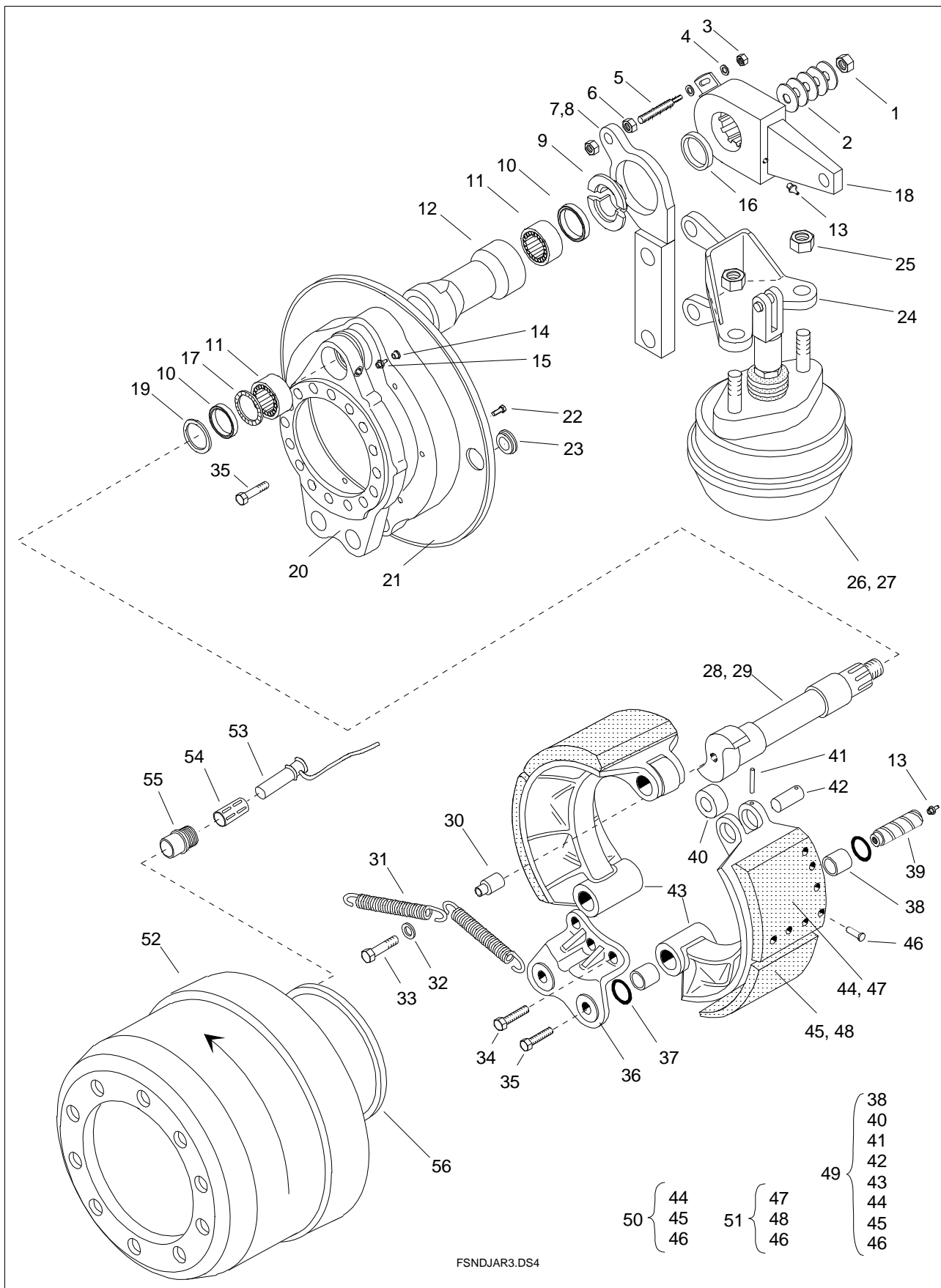
TRWSTRO4.DS4

Item	Qty.	Order no.	Description	Note
1	1	540-201-9791	Tie rod assy	1490mm
2	1	160-530-0183	Ball Joint Assembly	RH thread
2	1	160-530-0193	Ball Joint Assembly	LH thread
3	2	90546-24363	Nut	M24
4	2	90621-50453	Split pin	D5x45
5	2	90303-12603	Hex Screw	M12x60
6	2	90502-12193	Nut	M12
7	2	594-104-1110	Clamp	



BEL_NAPADS4

Item	Qty.	Order no.	Description	Note
1	2	090-501-0001	Shaft seal	D100/125x13
2	2	090-121-2400	Bearing outer race	
3	2	090-110-6600	Bearing inner race	
4	20	140-911-2500	Wheel bolt	L=76 mm
5	2	140-411-2208	Wheel hub	8 tn
6	20	540-916-1610	Wheel nut	M22x1.5
7	2	090-120-9000	Bearing outer race	
8	2	090-110-4600	Bearing inner race	
9	2	099-413-9070	washer	D40/68x6
10	NLA	099-239-3060	Lock Nut	M39x2, superceded by 599-239-3061
10	2	599-239-3061	Lock Nut	M39x2, Locking screw thread M12x1.25
11	2	590316-12408	Allen Screw	M12x1.25x40, for item 599-239-3061
11	ar	90311-12408	Allen Screw	M12x40, for item 099-239-3060
12	2	090-511-0520	O-ring	D105x3.0
13	2	140-422-0010	Protective cup	
14	2	91720-11003	Retainer ring	SB 110



Item	Qty.	Order no.	Description	Note
1	2	90550-16247	Nut	M16 self locking
2	10	592055-18330	Disc spring	D18.3/35.5x0.9
3	2	90502-08133	Nut	M8
4	4	90705-08423	washer	D8.4/17x1.6
5	2	90177-01203	Stud bolt	M12/M8
6	4	90502-12193	Nut	M12
7	1	146-223-1300	Supporting bracket	RH
8	1	146-223-1310	Supporting bracket	LH
9	4	146-591-0270	Retainer sleeve	
10	4	91122-04201	Shaft seal	D42/55x8
11	4	090-060-4220	Needle bush	D52/42x20
12	2	146-221-0910	Bearing housing	
13	6	91402-10003	Grease nipple	M10x1, Straight
14	6	91421-06060	Shield hat	
15	2	91402-10453	Grease nipple	M10x1, 45°
16	2	146-591-0300	Support ring	Only with automatic slack adjuster
17	2	91246-42052	Spacer plate	D42/52
18	2	546-530-3312	Slack adjuster	LH, L=165 mm, offset 0, automatic
18	2	546-530-3322	Slack adjuster	RH, L=165 mm, offset 0, automatic
19	2	91726-43065	Support ring	D43/65x3
20	2	146-111-2410	Brake Bracket	
21	2	146-131-2110	Dust Shield	180 mm
22	14	90303-08123	Hex Screw	M8x12
23	4	095-553-2000	Shield plug	D33/44
24	2	146-711-2001	Chamber bracket	
25	4	90556-16247	Nut	M16x1.5
26	2	172-101-2211	Brake chamber	16"
28	1	146-211-7200	S-cam shaft	RH, L=325.5
29	1	146-211-7300	S-cam shaft	LH, L=325.5
30	6	599-601-8900	Bush	D12/20/25x36
31	4	92052-30002	Return spring	D30x165.5
32	6	90705-13023	washer	D13/24x2.5
33	6	90303-12603	Hex Screw	M12x60
34	20	90303-14307	Hex Screw	M14x30
35	4	90303-10203	Hex Screw	M10x20
36	2	146-331-0400	Anchor support	
37	8	91106-36212	O-ring	D36,2x3 Viton
38	8	590-313-2091	Sleeve	D32/36x25
39	4	146-341-1200	Anchor bolt	D32x108, With grease nipple
40	4	146-371-0700	Roller	D25/54x28
41	4	90602-05450	Spring cotter	D5x40
42	4	146-373-0201	Pin	D25x50
43	4	146-351-4200	Brake shoe	150 mm
46	96	91501-00819	Rivet	D6.2/12.3x18.3
49	4	546-306-0022	Brake shoe assy	150 mm, DB5010
50	ar	546-360-3212	Brake lining set	150mm, DB5010, for one wheel
52	2	146-311-7100	Brake drum	D410
53	2	589-250-0081	Sensor	Knorr, protected wire
54	2	189-295-0000	Bush	Wabco 899 760 510
55	2	095-124-8040	Fitting	M24x1.5/20x30
56	2	189-291-0100	Ring gear	D152/170x13 (100)