

**RETROFIT RIGID TROUGH SHAFT FOR REPLACING THE INTER-AXLE DIFFERENTIAL IN FRMP-13/16/20-S AXLES**

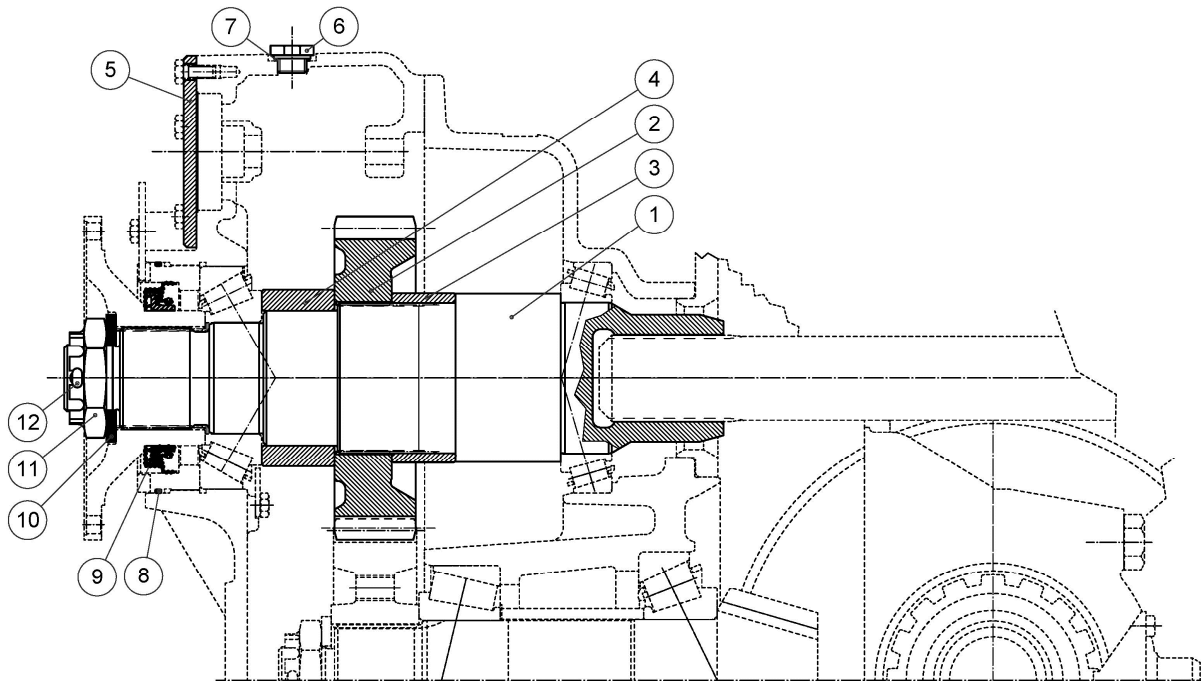
The inter-axle differential can be converted to a rigid trough shaft construction in such applications where the conventional inter-axle differentials are subject to excessive stress.

When converting the inter-axle to a through shaft construction the underneath mentioned items (picture/table 2) need to be removed. Required new parts are mentioned in picture/table 1. Service kit 607-0395-306 (to structures since 12/2004) includes required parts for retrofit.

Please use following Maintenance Manual as guideline:

- Sisu MP-330 drive gear

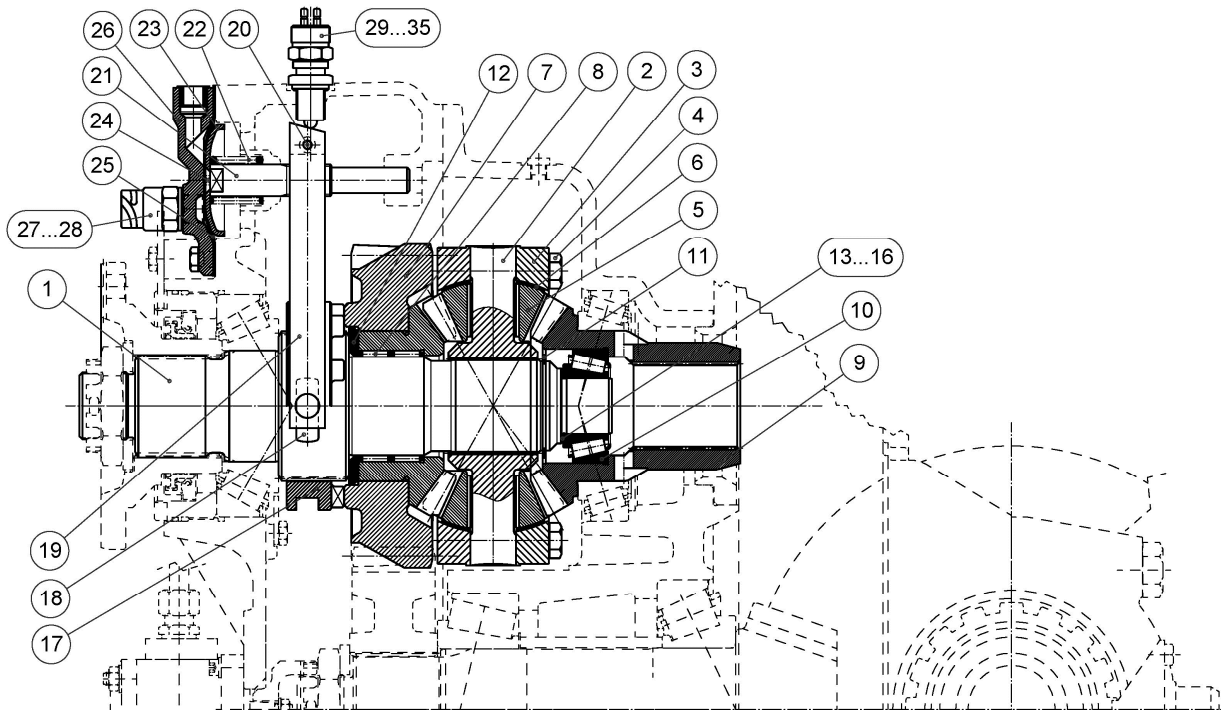
Note! This conversion can only be made to differentials with ratios 1.28:1 (axle ratios 4.65:1) or higher.



Picture/table 1. Items to be installed

Shaft		
1	Intermediate shaft	544-251-4100
Differential		
2	Gear	544-269-2100
3	Spacer ring	543-261-1610
Diff. lock		
4	Spacer ring	543-261-1600
5	Cover	144-736-0300

Indicator switch		
6	Plug screw	90871-18173
7	Seal ring	91201-18150
Spare parts kit includes also		
8	O-ring	91101-39530
9	Shaft seal	591122-08507
10	Washer	90705-43069
11	Hex crown nut	90546-42653
12	Split pin	590621-63503



Picture/table 2. Items to be removed

Shaft			Diff. lock			Oil pump
1	Intermediate shaft	144-251-3300 (up to 11/2012) 309-0110-306 (since 12/2012)	17	Sliding ring	544-274-0910	
Differential			18	Sliding shoe	133-348-1701	
2	Spider	143-331-1900 (up to 11/2012) 314-0910-302 (since 12/2012)	19	Control fork	144-751-1300	
3	Diff. case assy	143-310-3611	20	Screw	90313-08208	
4	Screw	90301-12703	21	Sliding shaft	172-212-1710	
5	Pinion gear	143-341-0700	22	Pressure spring	097-122-0100	
6	Sliding plate	143-345-0400	23	Push plate	172-361-0410	
7	Gear assy	544-269-1610	24	Screw	90319-08206	
8	Needle bush	91738-40621	25	Membrane	172-351-1202 572-351-1204	
9	Side gear	143-351-3700	26	Membrane cover	572-161-1502 172-161-0701	No Yes
10	T. roller bearing	91744-00351	Indicator switch			
11	Retainer ring	91711-05600	27	Signal lamp switch (2 pins)	586-490-0381	No
12	Sliding plate	144-282-0013		Signal lamp switch (3 pins)	586-490-0481	No
13	Shim	90731-03510	28	Seal ring	91201-18150	No
14	Shim	90731-03520	29	Signal lamp switch (2 pins)	186-490-0281	Yes
15	Shim	90731-03550	30	Seal ring	91201-12150	Yes
16	Shim	90732-03510	31	Nut	91842-18243	Yes
			32	Pressure ring	91838-18010	Yes
			33	O-ring	91838-18100	Yes
			34	Binding screw	141-812-0000	Yes
			35	Control pin	141-812-0100	Yes