

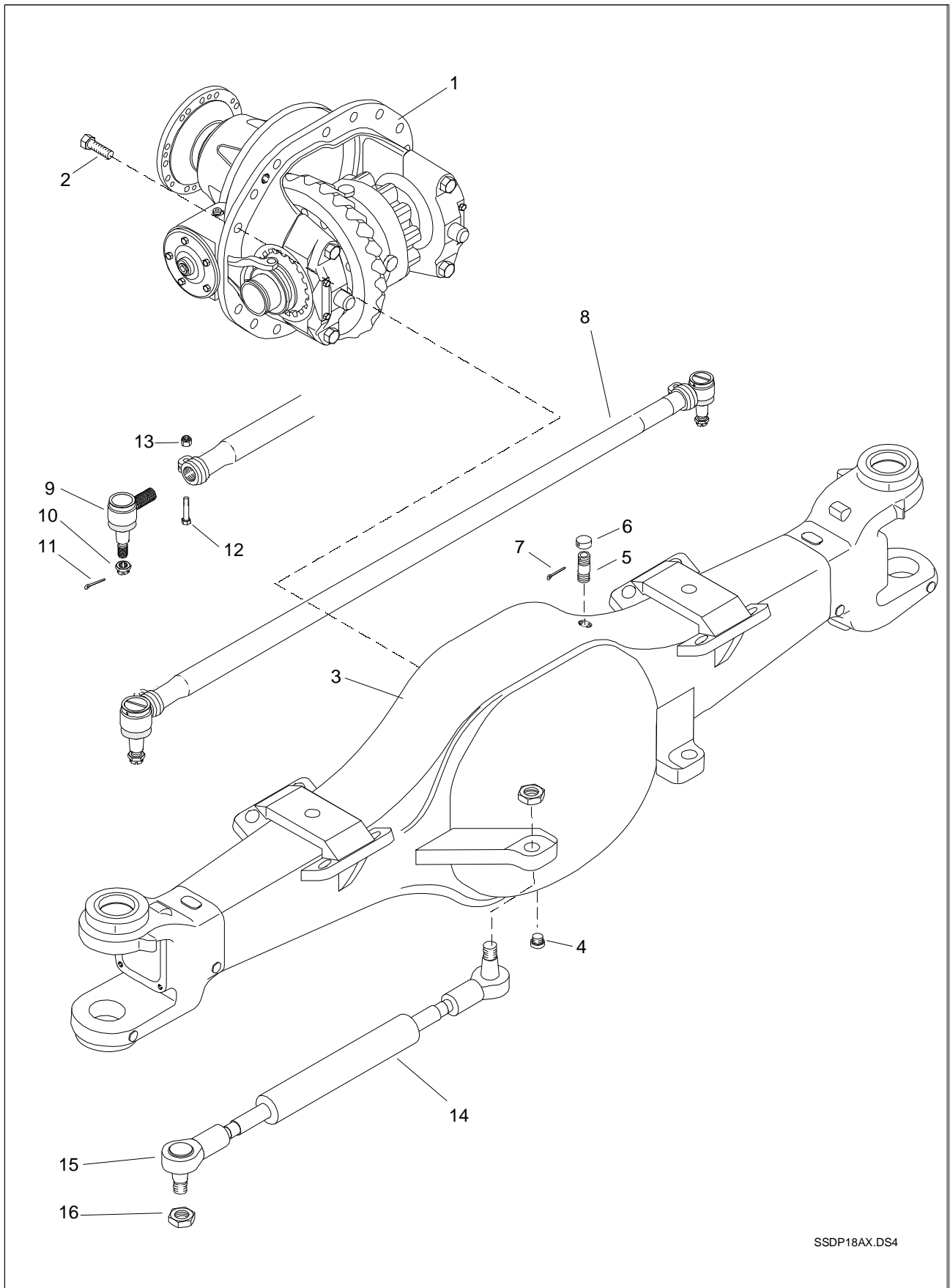
SISU AXLES

SPARE PARTS BOOK

**Front Axle
SSDP-18-G**

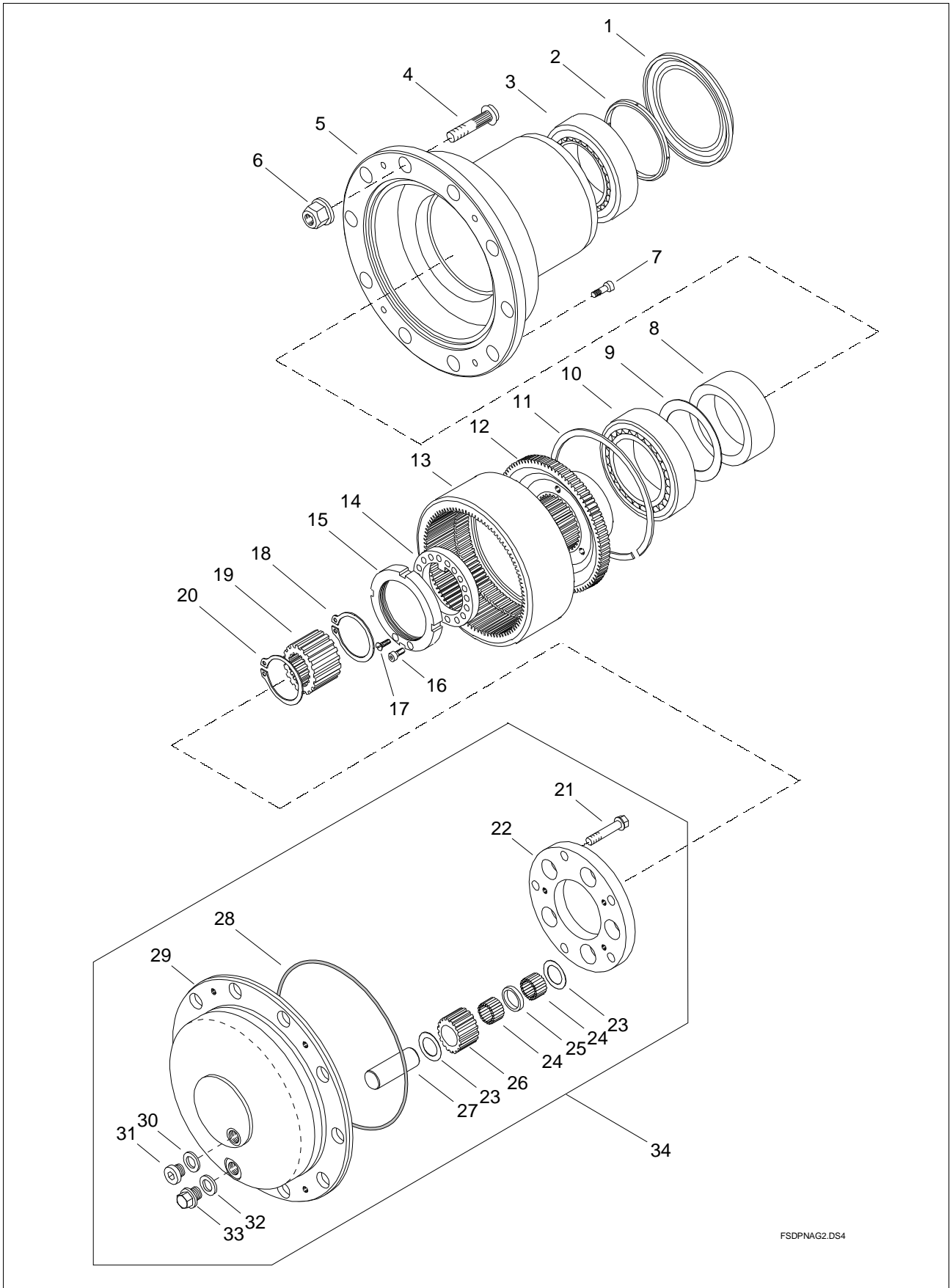
Book No. 200 (6/2008)

Sisu Axles, Inc.
Autotehtaan tie 1
PO Box 189
FIN-13101 Hämeenlinna
Finland
Phone +358 204 55 2999
Fax +358 204 55 2900



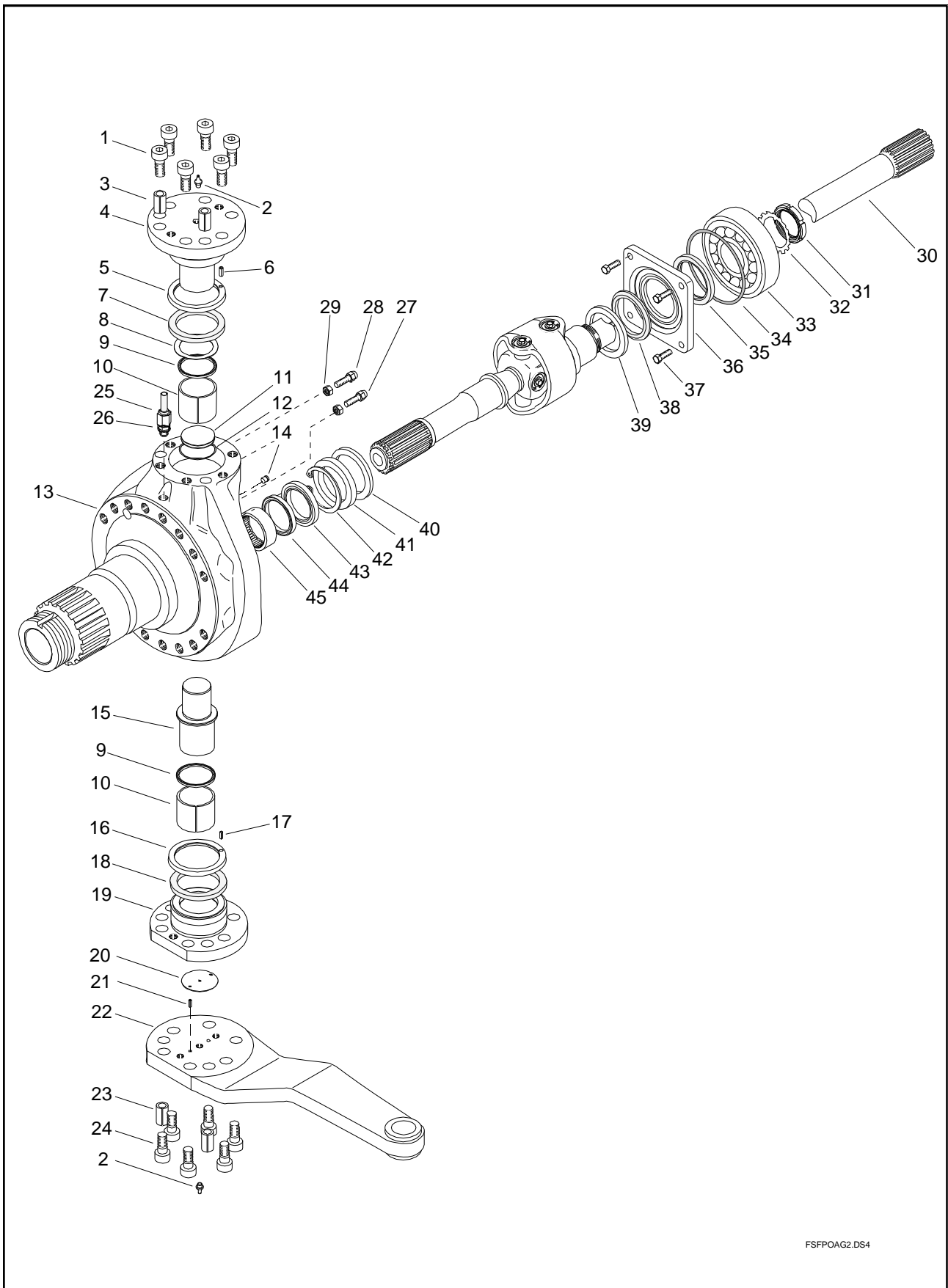
SSDP18AX.DS4

Item	Qty.	Order no.	Description	Note
1	1	543-203-3383	Diff. Carrier Assembly	16.57, DIN 180, w/o lock
1	1	543-203-3393	Diff. Carrier Assembly	20.78, DIN 180, w/o lock
1	1	543-203-3395	Diff. Carrier Assembly	20.78, ISO8667-T150, w/o lock
2	16	90303-16407	Hex Screw	M16x40, 10.9
3	1	541-113-3600	Axle housing	Spring pads for M20 bolts
3	1	541-113-4810	Axle housing	Spring pads for M24 bolts
4	1	90873-22109	Diff. Carrier Assembly	M22x1.5, Allen head
4	1	91201-22150	Seal ring	D22/27x1.5 Cu
5	1	179-841-1000	Breather pipe	
6	1	179-842-0000	Breather Cover	
7	1	90621-32253	Split pin	3.2x25
8	1	540-201-9762	Tie rod assy	1400 mm, complete
9	1	560-530-0511	Ball Joint Assembly	RH, D50, M38x1.5
9	1	560-530-0521	Ball Joint Assembly	LH, D50, M38x1.5
10	2	590546-30463	Nut	M30x1.5
11	2	90621-63633	Split pin	D6.3x63
12	2	90303-12603	Hex Screw	M12x60
13	2	90502-12193	Nut	M12
14	2	375-501-0012	Steering cylinder	
15	4	160-530-0062	Ball Joint Assembly	
16	4	90546-24363	Nut	M24x1.5
16	4	90621-50453	Split pin	D5x45



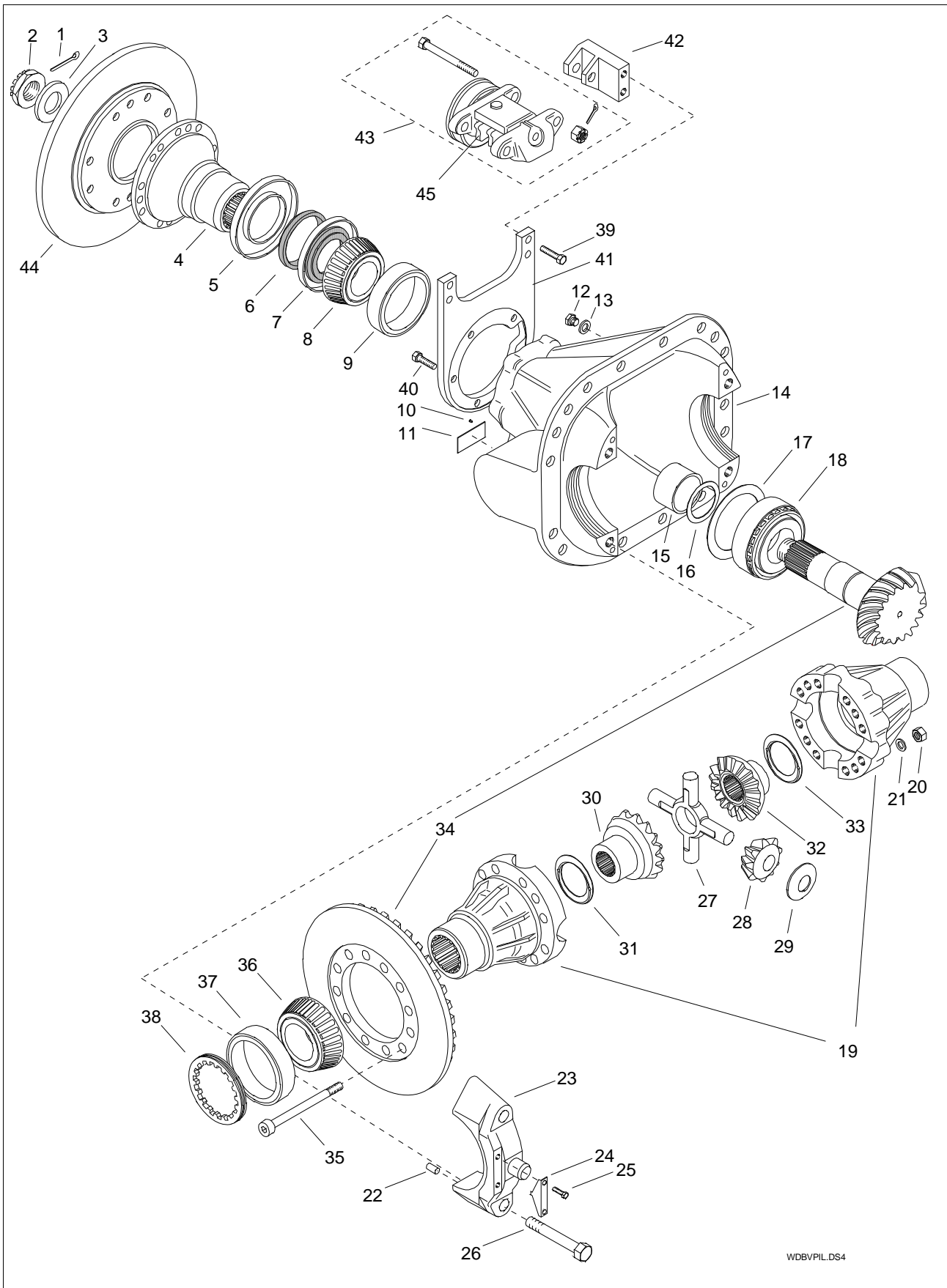
FSDPNAG2.DS4

Item	Qty.	Order no.	Description	Note
1	2	591122-13301	Shaft seal	Ø133,4/187,5, Up to No. 20286 (2/2002)
1	2	591122-15001	Shaft seal	Ø150/180, Since No. 20287 (2/2002)
2	2	540-415-1010	Spacer ring	Up to No. 20286 (2/2002)
2	2	540-415-1300	Spacer ring	Since No. 20287 (2/2002)
2	2	91101-33026	O-ring	133x2.62, Since No. 20287 (2/2002)
3	2	91744-01101	T. Roller bearing	32022 X/Q - D110/170x38
4	20	140-911-2510	Wheel bolt	L=93 mm
4	20	540-911-3500	Wheel bolt	L=103 mm, 12.9
5	2	541-411-1402	Wheel hub	Reinforced, with seal 591122-13301
5	2	541-411-1412	Wheel hub	reinforced, with seal 591122-15001
6	20	540-916-1610	Wheel nut	M22x1.5
7	8	590313-10303	Allen Screw	M10x30
8	2	543-416-0210	Spacer ring	L=44 mm
9	NLA	590731-09510	Shim	s= 0.1 mm
9	NLA	590731-09515	Shim	s= 0.15 mm
9	ar	590731-09520	Shim	s= 0.2 mm
9	ar	590731-09530	Shim	s= 0.3 mm
9	ar	590731-09550	Shim	s= 0.5 mm
10	2	91744-01201	T. Roller bearing	32024 X - D120/180x38
11	2	91720-22001	Retainer ring	D220x3
12	2	535-271-0611	Ring gear hub	
13	2	535-261-2110	Ring gear	i=3.636, z58
14	2	143-418-0510	Lock plate	S=6 mm, holed
15	2	599-290-8004	Lock Nut	M90x2
16	2	590319-08186	Allen Screw	M8x18
17	2	590319-08126	Allen Screw	M8x12
18	2	591711-05500	Retainer ring	D55x2
19	2	535-211-1310	Sun gear	N55x2x26
20	2	591711-05500	Retainer ring	D55x2
21	10	590169-01670	Special screw	M16x1.5x70
22	2	535-231-1310	Planet carrier	
23	20	590-353-1100	Spacer plate	D33.5/55.5x1.47
24	480	91385-50240	Needle roller	D5x23.8
25	10	590-354-3100	Spacer ring	D33.5/42x7
26	10	535-241-1310	Planet gear	
27	10	535-251-1410	Planet gear shaft	
28	2	591109-66052	O-ring	D266x5.33
29	2	541-471-0410	Planetary gear housing	
30	2	91201-22150	Seal ring	D22/27x1.5 Cu
31	2	90873-22109	Diff. Carrier Assembly	M22x1.5, Allen head
32	2	91201-22150	Seal ring	D22/27x1.5 Cu
33	2	90871-22193	Plug screw	M22x1.5, hex head
34	2	541-404-0171	Planetary gear	



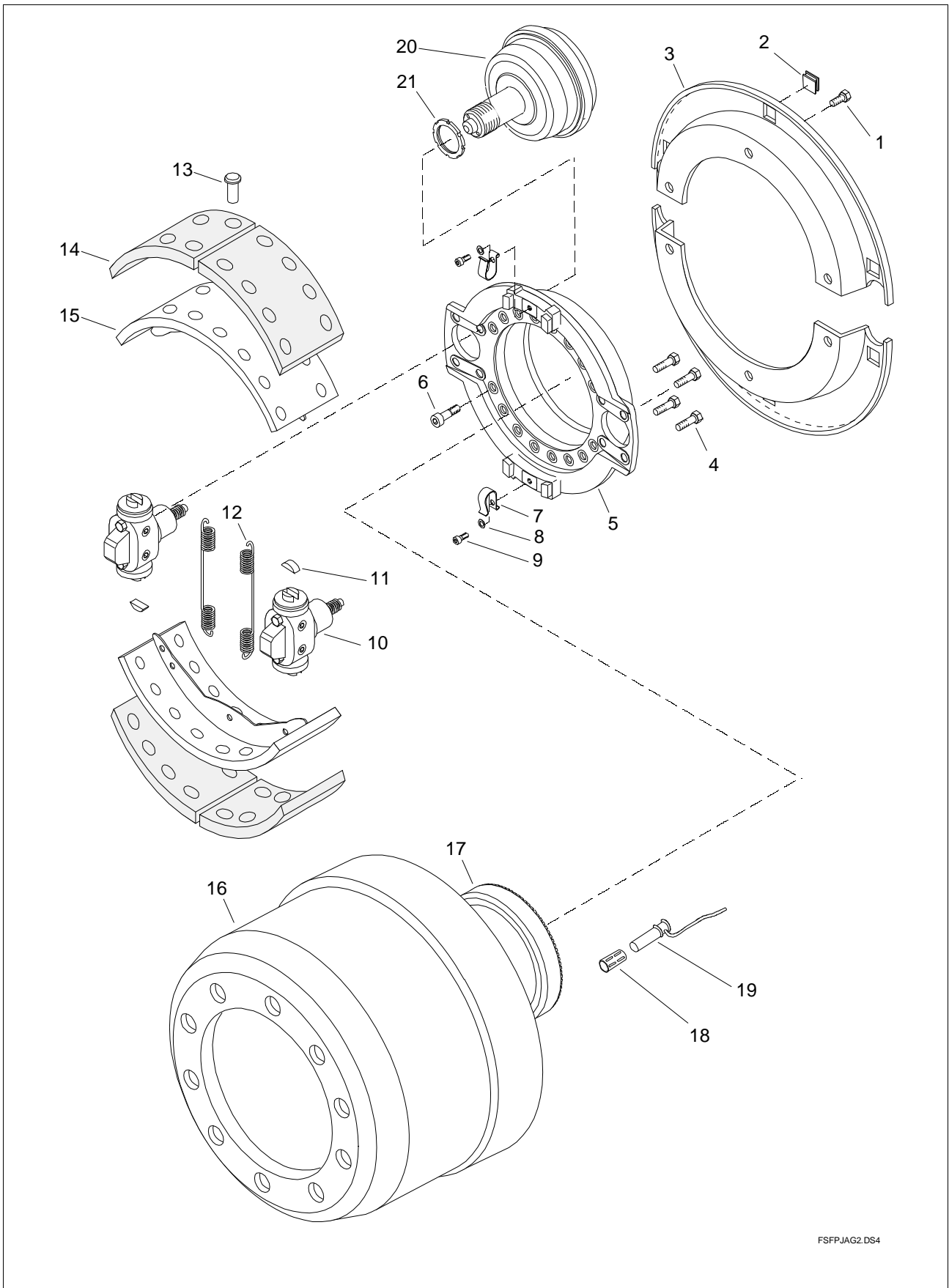
FSFPOAG2.DS4

Item	Qty.	Order no.	Description	Note
1	12	90311-16508	Allen Screw	M16x50, w/o steering arm
2	4	91402-10003	Grease nipple	M10x1, Straight
2	4	91421-06060	Shield hat	
3	4	590602-18400	Spring cotter	D18x40, w/o steering arm
4	2	540-121-2010	King pin	
5	2	590-722-1200	Protective cup	D79.5/93x10.5
6	2	590602-03100	Spring cotter	D3x10 mm
7	2	590-561-0110	Gasket	Foam-seal, Oil before installation
8	ar	590731-05621	Shim	0.2 mm
8	ar	590731-05631	Shim	0.3 mm
8	ar	590731-05651	Shim	0.5 mm
8	ar	599-413-8100	Spacer plate	1.0 mm
9	4	591222-05501	Shaft seal	D55/63x5.0
10	4	590-314-8110	King pin bushing	D60/55x50
11	2	595-518-0110	Plug	D50x6
12	2	591101-04720	O-ring	D47x2
13	2	541-141-1303	Steering knuckle	FSDP, FSFP & SSDP
13	2	541-141-1600	Steering knuckle	With CTI-system
14	2	590804-00060	Plug	Not serviced separately
15	2	540-121-1800	King pin	
16	2	590-722-1210	Protective cup	D65/93x11
17	2	90111-29054	Rivet	D2.9x5
18	2	590-561-0200	Gasket	Foam-seal, Oil before installation
19	2	540-136-0301	Bearing housing	
20	2	599-413-8010	Thrust washer	D55x2.5
21	4	590602-04140	Spring cotter	D4x14
22	1	540-241-6200	Tie rod arm	RH, FSFP
22	1	540-241-6210	Tie rod arm	LH, FSFP
22	1	540-241-6300	Tie rod arm	RH, FSDP
22	1	540-241-6310	Tie rod arm	LH, FSDP
22	1	540-241-7000	Tie rod arm	RH, For hydraulic steering
22	1	540-241-7010	Tie rod arm	LH, For hydraulic steering
23	4	590602-18600	Spring cotter	D18x60
24	12	90311-16608	Allen Screw	M16x60
25	2	579-616-0000	Breather pipe	D6x1, L=1500, up to S/N 151801 (4/2005)
25	2	579-616-0010	Breather pipe	D8/6, L=1500, since S/N 151802 (4/2005)
25	2	591937-04027	Support ring	D4, up to S/N 151801 (4/2005)
25	2	591937-06027	Support ring	D6, since S/N 151802 (4/2005)
26	2	591952-40610	Fitting	M10x1, D6, up to S/N 151801 (4/2005)
26	2	591952-40810	Fitting	M10x1, D8/6, since S/N 151802 (4/2005)
27	2	140-249-1210	Stop screw	Total L=52mm, FSDP, FSMP, SSDP
27	2	140-249-1400	Stop screw	Total L=80mm, FSFP
28	2	140-249-1400	Stop screw	Total L=80mm, FSFP
28	2	140-249-1500	Stop screw	Total L=65mm, FSDP, FSMP, SSDP
29	4	90502-16243	Nut	M16
30	1	541-502-0301	Axle Shaft	FSMP (RH) & FSFP (LH)
30	2	541-502-0311	Axle Shaft	FSDP & SSDP
30	1	541-502-0401	Axle Shaft	FSMP (LH) & FSFP (RH)
31	2	590575-06040	Lock Nut	M60x2, KM12
32	2	590735-06012	Lock plate	MB12, D60x1.5
33	2	591733-00601	Spherical roller bearing	D60/110x28
34	2	591101-01045	O-ring	D101x4.5
35	2	090-500-6501	Shaft seal	D65/90x10
36	2	541-532-0010	Cover	For Foam-seal
37	8	90303-10303	Hex Screw	M10x30
38	2	590-561-0300	Gasket	Foam-seal, Oil before installation
39	2	590-711-9110	Protective cup	D85x9
40	2	590-711-9100	Seal housing	
41	2	590-561-0210	Gasket	Foam-seal, Oil before installation
42	2	092-957-8000	Retainer ring	D80x2.5
43	2	591122-06003	Shaft seal	D60/80x12
44	2	91122-06001	Shaft seal	D60/75x8
45	2	591738-10601	Needle bush	D60/72x35



WDBVPIL.DS4

Item	Qty.	Order no.	Description	Note
1	1	90621-63633	Split pin	D6.3x63
2	1	90546-42653	Nut	M42x1.5
3	1	90705-43069	washer	D43/80x6
4	1	138-918-0400	Flange	HS1700-1800
4	1	138-947-0101	Flange	HS1600/DIN180
4	1	538-916-3402	Flange	ISO 8667 - T150
5	1	090-711-9000	Shield	
6	1	090-400-9500	V-ring	VS-95, Up to serial No 152786 (6/2005)
7	1	591122-08508	Shaft seal	D85/140x13/20, Since serial No. 152787 (6/2005)
7	1	91122-08504	Shaft seal	D85/140x13, Up to serial No 152786 (6/2005)
8	1	090-110-6740	Bearing inner race	
9	1	090-121-3700	Bearing outer race	
10	4	90111-29054	Rivet	D2.9x5
11	1	591600-20823	Name plate	
12	1	90871-22193	Plug screw	M22x1.5, hex head
13	1	91201-22150	Seal ring	D22/27x1.5 Cu
14	1	143-210-1431	Differential Carrier	Without differential lock
15	ar	099-557-1026	Spacer ring	(l=53.70)
15	ar	099-557-1027	Spacer ring	(l=53.72)
15	ar	099-557-1028	Spacer ring	(l=53.74)
15	ar	099-557-1030	Spacer ring	(l=53.78)
16	ar	099-517-1000	Shim	(s=0.30)
16	ar	099-517-1001	Shim	(s=0.40)
16	ar	099-517-1002	Shim	(s=0.50)
17	ar	90731-12010	Shim	(s=0.1)
17	ar	90731-12020	Shim	(s=0.2)
17	ar	90731-12050	Shim	(s=0.5)
17	ar	90732-12010	Shim	(s=1.0)
18	1	090-050-7001	T. Roller bearing	
19	1	543-310-4551	Diff. case assy	Without diff. lock, FR < 14.59
19	1	543-310-4561	Diff. case assy	Without diff. lock, FR => 14.59
20	12	90550-16247	Nut	M16 self locking
21	12	90710-17047	washer	D17/30
22	4	590604-08141	Pin	D8x14 - DIN 6325
23		143-214-2180	Bearing Case Half	Not Servised Separately
24	2	143-227-0610	Lock plate	
25	4	90303-08103	Hex Screw	M8x10
26	4	90301-20377	Hex Screw	M20x130
27	1	143-331-1701	Spider	
28	4	143-341-1710	Pinion gear	
29	4	143-345-1010	Thrust washer	D29.5/63
30	1	543-351-4600	Side gear	D55/Z26
31	1	543-356-0400	Thrust washer	D80/110x3
32	1	543-351-4600	Side gear	D55/Z26
33	1	543-356-0400	Thrust washer	D80/110x3
34	1	143-240-2981	Ring and pinion gear set	9/41 Final ratio 16.57
34	1	143-240-2991	Ring and pinion gear set	7/40 Final ratio 20.78
35	12	90311-16298	Allen Screw	FR => 14.59, M16x120
35	12	90311-16398	Allen Screw	FR < 14.59, M16x130
36	2	090-110-9000	Bearing inner race	
37	2	090-121-4700	Bearing outer race	
38	2	143-226-0012	Adjusting nut	D149
39	8	90303-16407	Hex Screw	Only w/item 548-915-0300
40	5	90303-14407	Hex Screw	M14x40
41	1	548-915-0101	Mounting Plate	For single brake caliber
41	1	548-915-0300	Mounting Plate	For double brake calipers
42	4	148-911-0110	Bracket	Only w/item 548-915-0300
43	ar	148-012-0000	Parking Brake Assy	
44	1	148-311-0710	Brake Disc	DIN 180
44	1	148-311-0800	Brake Disc	HS 1600
44	1	148-311-0800	Brake Disc	HS 1600
44	1	548-311-1700	Brake Disc	ISO8667-T150
44	4	590318-12207	Allen Screw	W/brake disc 548-311-1700
45	2	148-305-0051	Brake pad	



FSFPJAG2.DS4

Item	Qty.	Order no.	Description	Note
1	12	90313-08123	Allen Screw	M8x12
1	12	90705-08423	washer	D8.4/17x1.6
2	12	591426-02000	Plug	
3	4	546-131-7011	Dust Shield	
4	16	590316-14358	Screw	Not serviced separately
4	16	590707-14223	washer	Not serviced separately
5	2	546-111-3601	Brake Bracket	
6	32	90311-16608	Allen Screw	M16x60
7	4	546-817-0010	Bracket	Including pos. 8 & 9, Not serviced separately
8	4	590710-10547	washer	Not serviced separately
9	4	590317-10163	Hex Screw	Not serviced separately
10	2	546-011-0011	Expander	RH, Including pos. 4
10	2	546-011-0021	Expander	LH, Including pos. 4
11	4	546-358-0300	Sliding shoe	
12	ar	546-099-0001	Repair kit of springs	For two wheels (inc. 7-9,12)
12	4	592052-24002	Return spring	Not serviced separately
13	96	591501-00991	Rivet	Not serviced separately
14	ar	546-360-2111	Brake lining set	200 mm, For two wheels, including rivets
14	ar	546-360-2121	Br. lining set(over size)	200 mm, For two wheels, including rivets
15	4	546-309-9811	Brake shoe assy	200 mm, Complete with linings
16	2	546-311-8111	Brake drum	Supersession for 146-311-7210 & 546-311-8200
17	2	589-291-0300	Ring gear	ABS
18	2	189-295-0000	Bush	ABS
19	2	189-250-0071	Sensor	ABS, Wabco
19	2	589-250-0081	Sensor	ABS, Knorr, protected wire
20	4	572-101-2271	Brake chamber	20"
20	4	572-101-2281	Brake chamber	18"
20	4	572-101-2312	Brake chamber	12"
20	4	572-103-5231	Spring Brake Chamber	20/24"
21	0	599-246-9010	Lock Nut	Superceded by item 599-246-9100
21	4	599-246-9100	Lock Nut	1.75-12 UNS