

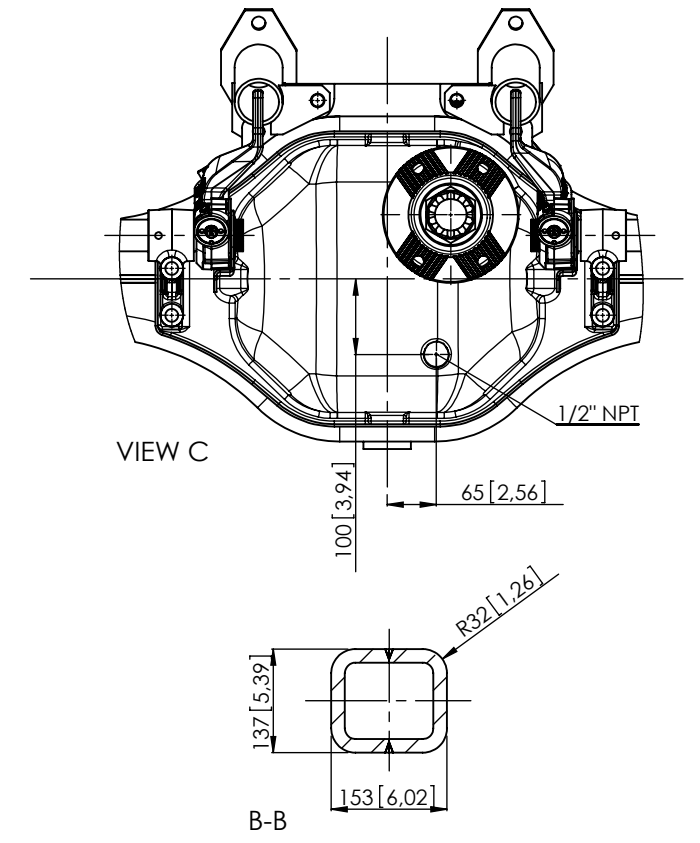
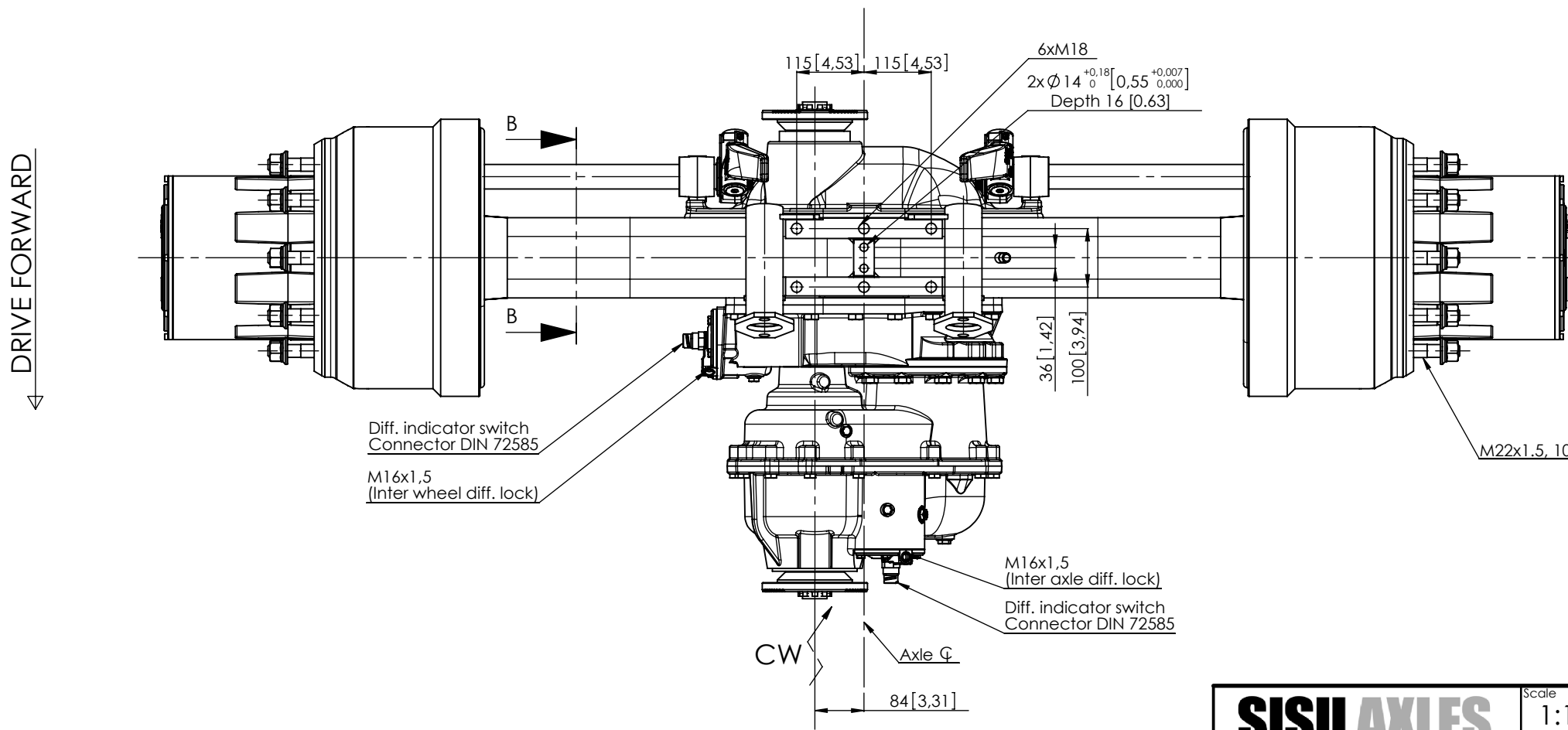
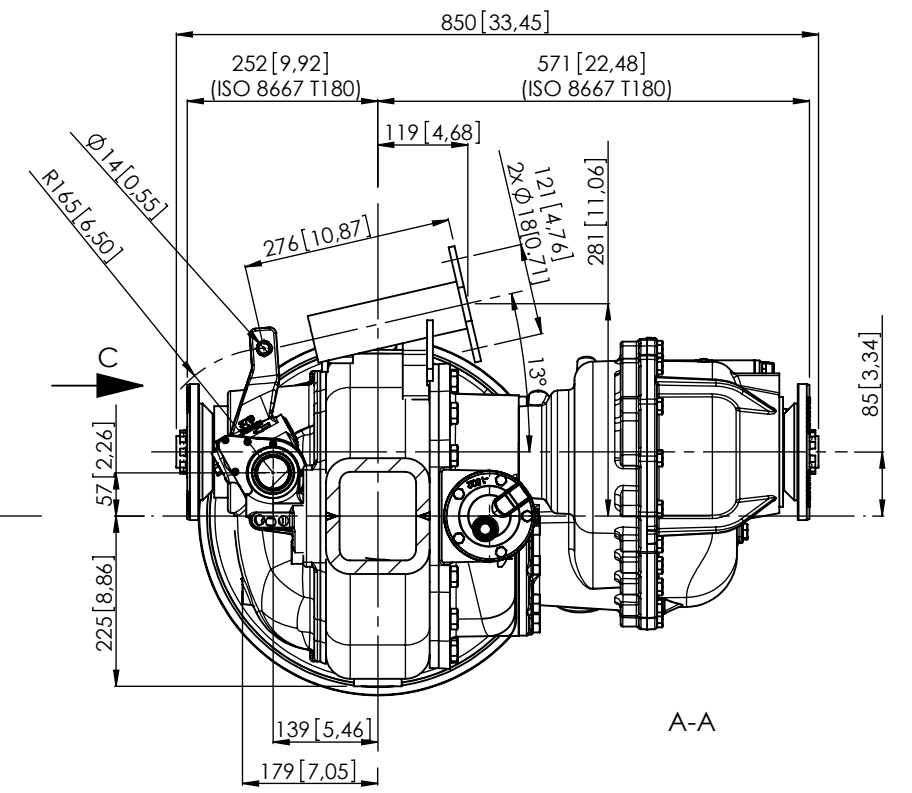
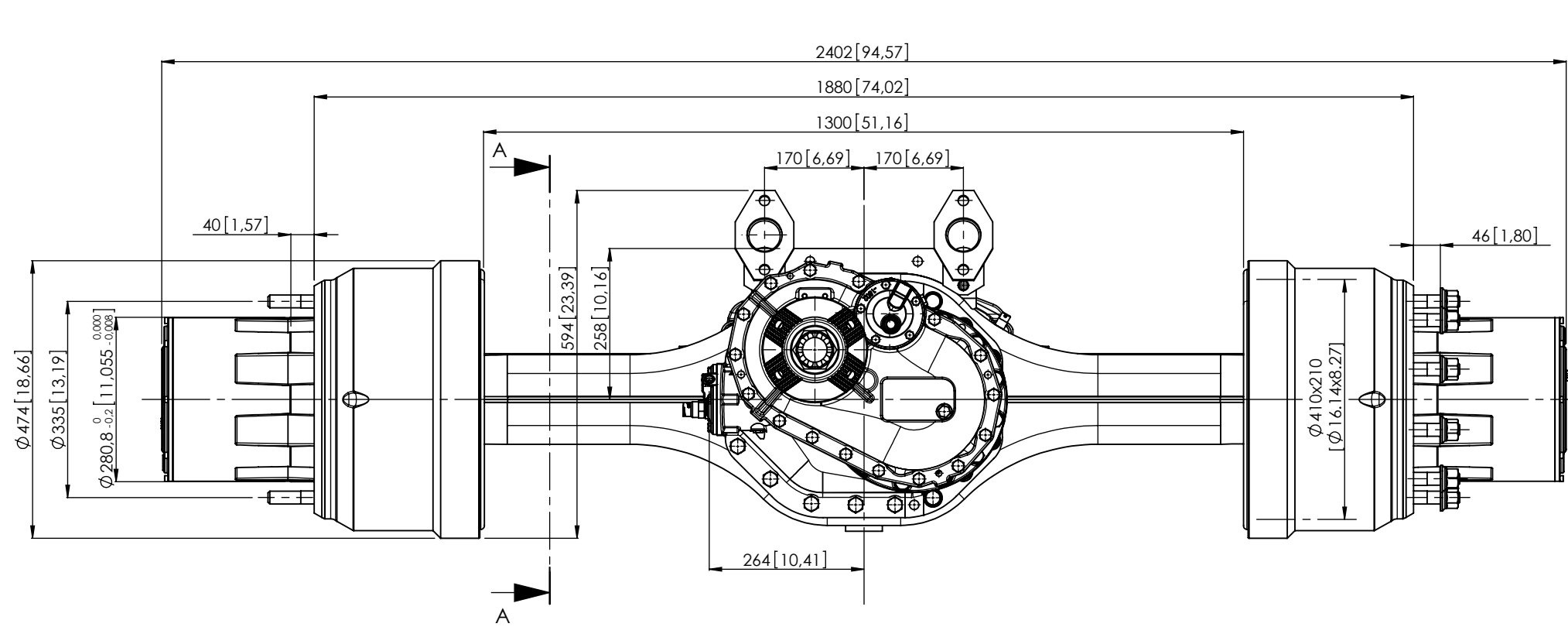
**HIGH SPEED, (TRUCK) TANDEM RIGID DRIVE AXLE, FR2P32S**

<b>GAWR</b>	32 000 kg [70,000 Lb.]
<b>GCWR</b>	150 000 kg [330,000 Lb.]
<b>Axle Type</b>	Spiral Bevel Center Differential Planetary Wheel End Reduction, 5-planet Carrier
<b>Brakes</b>	
Type	Drum, S-cam
Size	Ø410 mm [16,1 inch] x 210 mm [8,3 Inch] Width
Slack Adjuster	Automatic, 165 mm [6.5 Inch] Length
Chamber	30 Square Inch
Certification	FMVSS 121
<b>Housing</b>	Fabricated Steel, Cross Section 153 mm [6,0 Inch] Height x 137 mm [5,4 Inch] Width, Center Bowl
<b>Wheel End</b>	10-studs on 335 mm [13,2 Inch] BC, 280.8 mm [11,1 Inch] Pilot Diameter. Minimum Wheel Size 20 Inch
<b>Wheel offset (Optimal)</b>	Equal Offset on Outer and Inner Wheel
<b>Drive Flange</b>	ISO8667-T180
<b>Final Drive Ratios</b>	4.11, 4.65, 5.56, 6.36, 7.01 and 8.79
<b>Tracks Available (Over Wheel Mounting Faces)</b>	1800 mm [70.9 Inch], 1880 mm [74 Inch] and 2040 mm [80.3 Inch]
<b>Lubrication</b>	
Type	API GL-5
Capacity (FRDP)	Total 21 liters [45 pints]
Capacity (FRMP)	Total 27 liters [57 pints]
<b>Weight-Dry (for Track 2040 mm)</b>	
FRDP	800 kg [1,764 Lb.]
FRMP	900 kg [1,984 Lb.]

All ratings are nominal. Actual capacities determined based upon review of application data by Sisu Axles Inc.

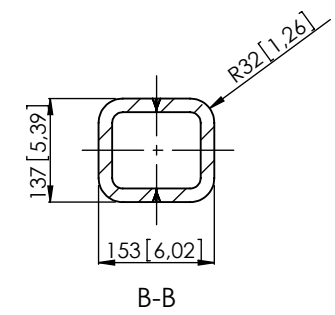
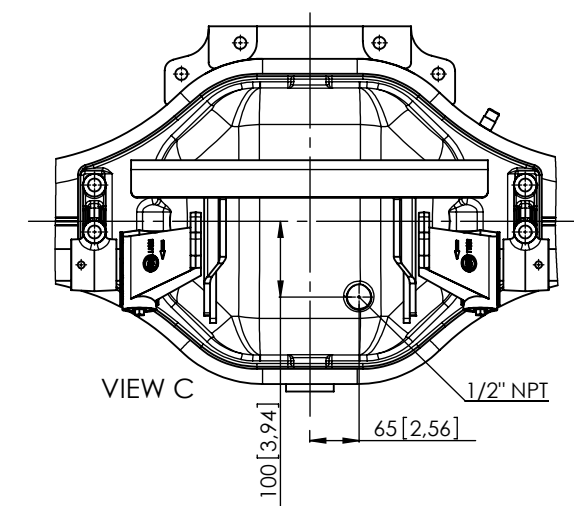
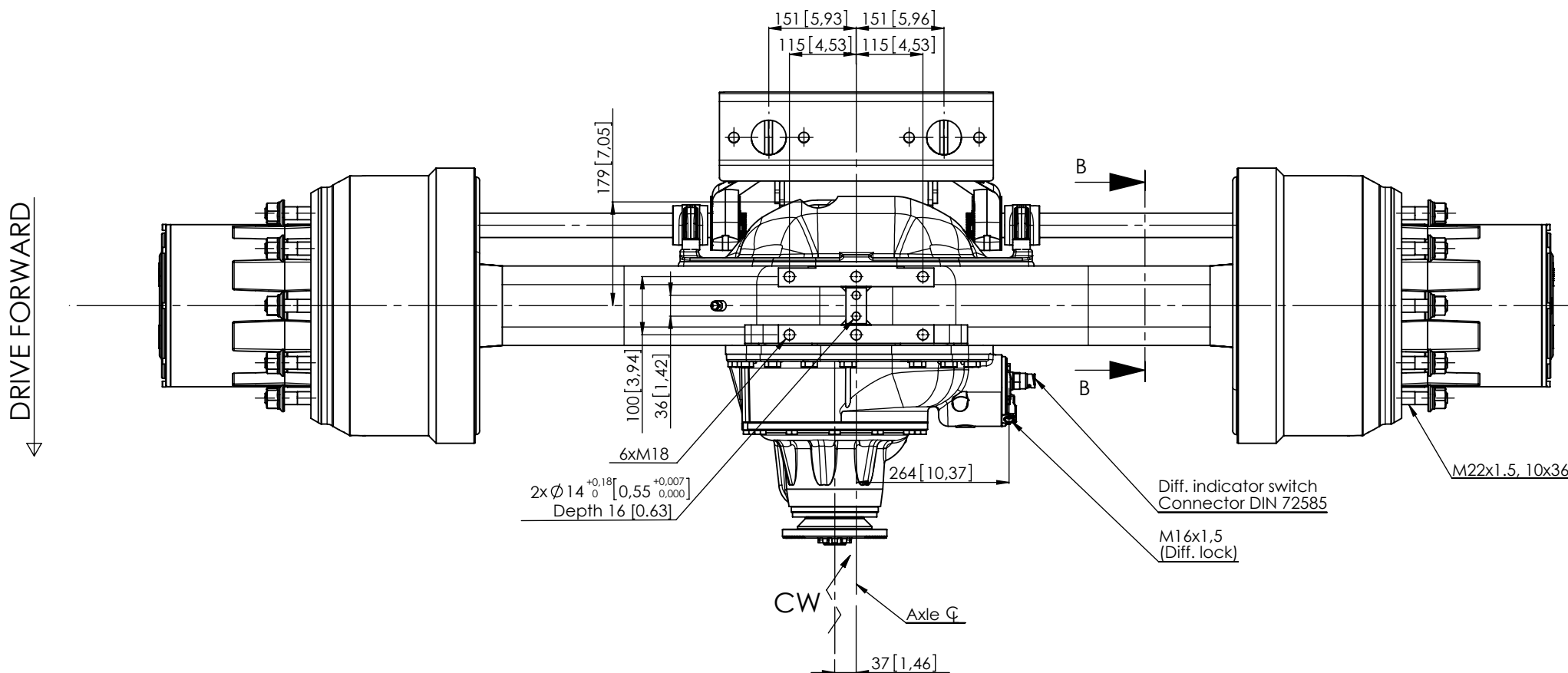
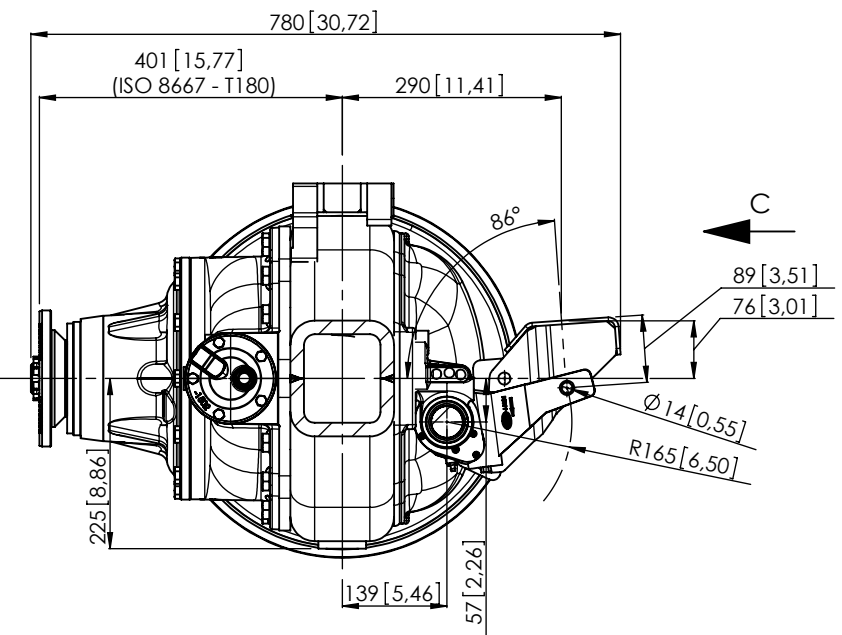
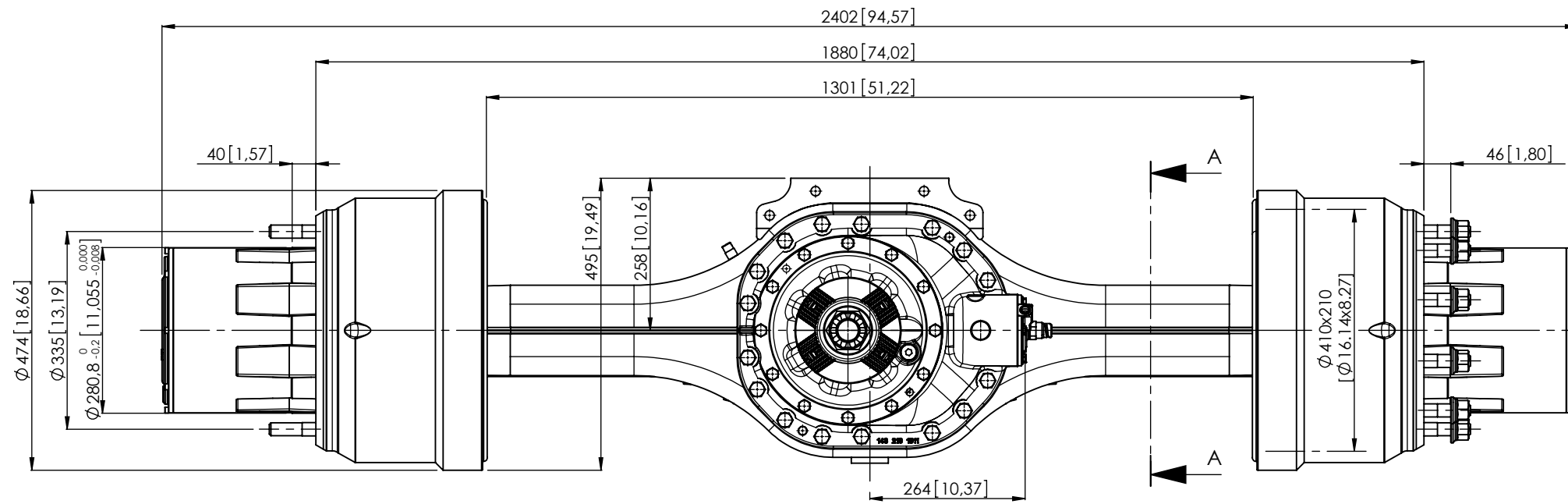
<b>OPTIONS:</b>	Spring Seats	Wheel Stud Length
	Wheel Nuts	Brake Chambers
	Input Drive Flange	Axle differential Lock
	ABS Provision	Slack Adjuster Types
	Top Coating	Oil Lubrication Pump

Other options may be available. Contact Sisu Axles sales for more information.



		Scale	1:10		Material				Product	FRMP16S		
		Drawn	JALI	Date	24.5.2007	Approved			Weight	kg		
<small>THIS DRAWING AND THE INFORMATION CONTAINED HEREIN IS PROPRIETARY TO SISU AXLES INC. IT SHALL NOT BE REPRODUCED, COPIED OR DISCLOSED IN WHOLE OR IN PART, OR USED FOR MANUFACTURE OF FOR OTHER PURPOSE WITHOUT THE WRITTEN PERMISSION OF SISU AXLES INC.</small>		Dimensions	mm		Title	Dimension drawing						
		Rigid		Through drive		Drawing n:o		Rev.		Sheet	Drawing size	
A		Modeled and redrawn		NIAH	26.04.2010	JALI	26.05.2010	M543-036-0185		A	1/1	A3
REV.	DESCRIPTION	CHANGED	CHANGED DATE	APPROVED	APPROVED DATE							

A	Modeled and redrawn	NIAH	26.04.2010	JALI	26.05.2010
REV.	DESCRIPTION	CHANGED	CHANGED DATE	APPROVED	APPROVED DATE



		Scale	1:10		Material		Product	
		Drawn	JALI	Date	24.5.2007	Approved	Date	FRDP16S
<small>THIS DRAWING AND THE INFORMATION CONTAINED HEREIN IS PROPRIETARY TO SISU AXLES INC. IT SHALL NOT BE REPRODUCED, COPIED OR DISCLOSED IN WHOLE OR IN PART, OR USED FOR MANUFACTURE OF FOR OTHER PURPOSE WITHOUT THE WRITTEN PERMISSION OF SISU AXLES INC.</small>		Dimensions	mm		Title		Weight	
		Rigid		Drive		Drawing n:o		kg
		M543-036-0186		Rev.	A	Sheet	1/1	Drawing size
								A3

REV.	DESCRIPTION	NIAH	26.04.2010	JALI	26.05.2010
		CHANGED	CHANGED DATE	APPROVED	APPROVED DATE