

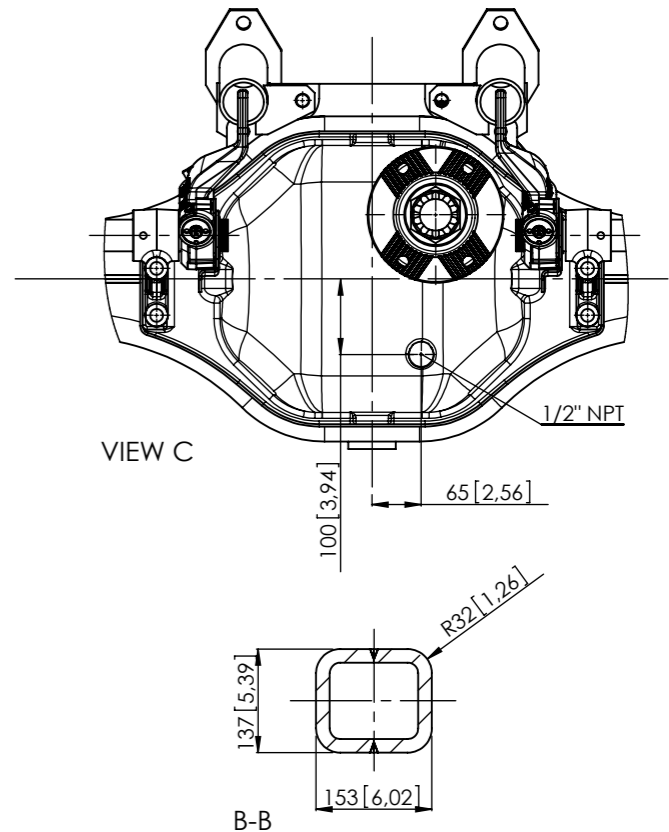
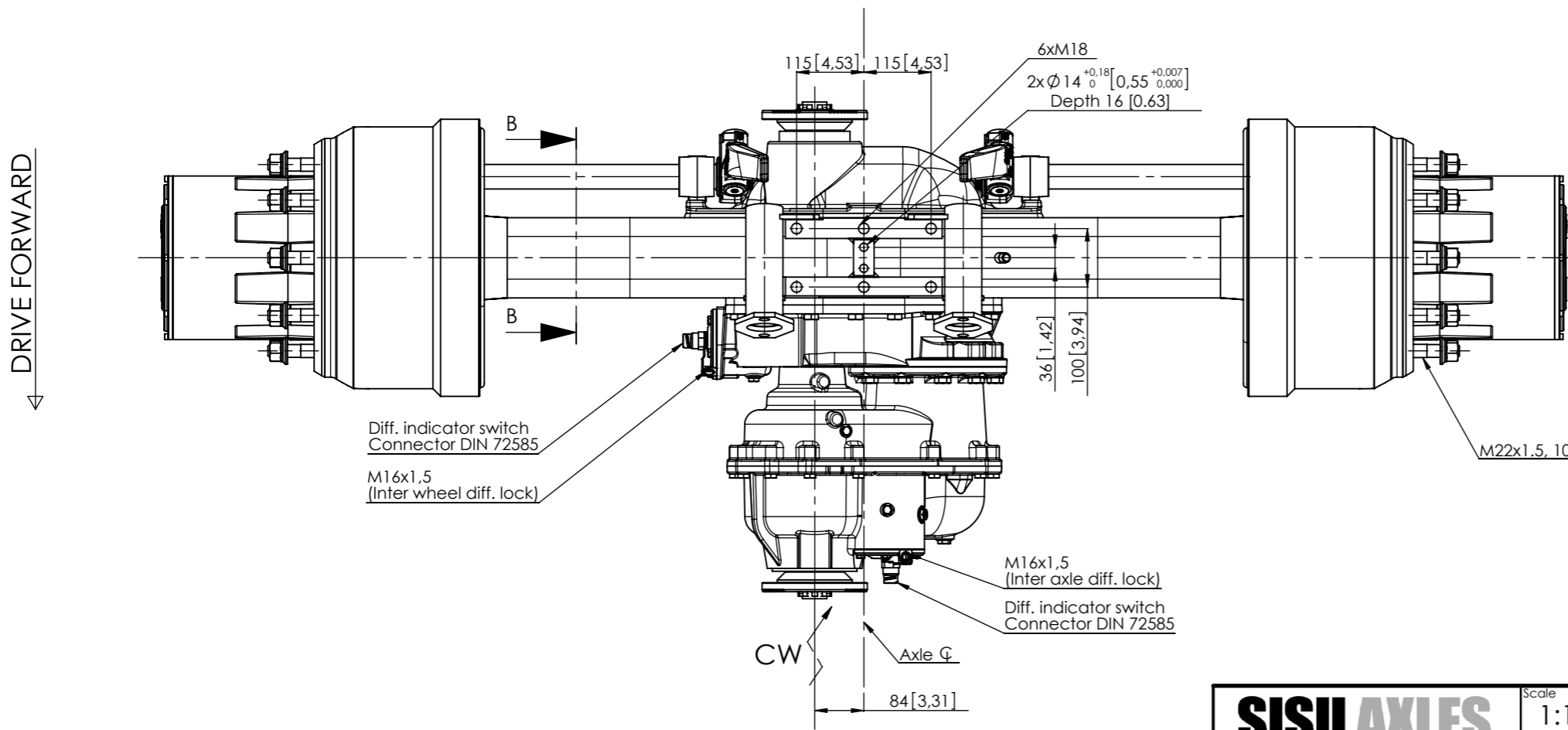
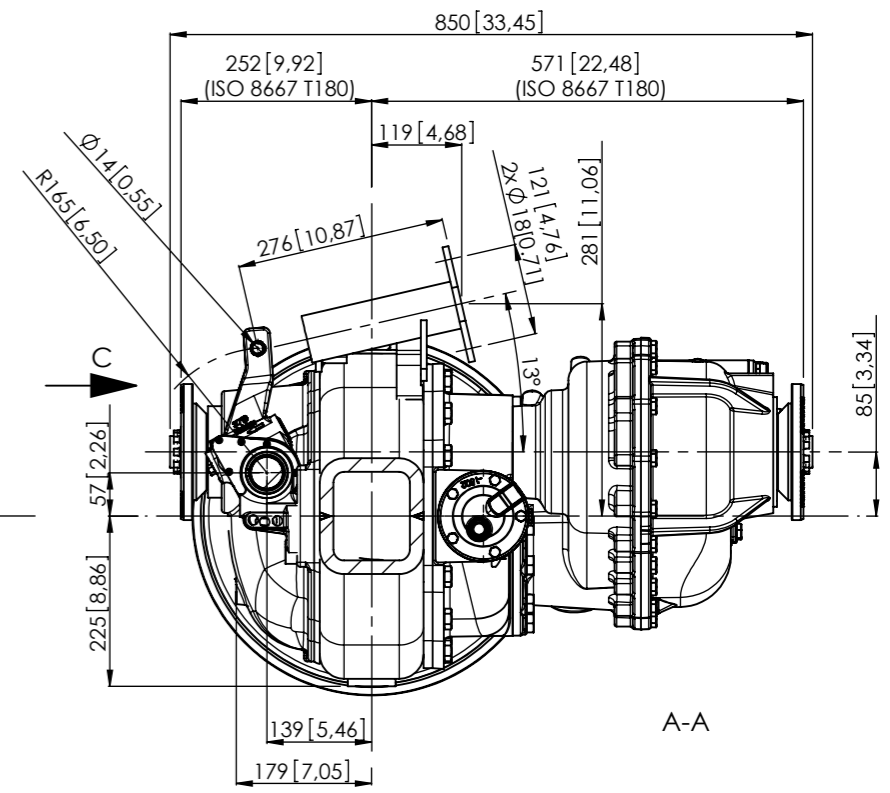
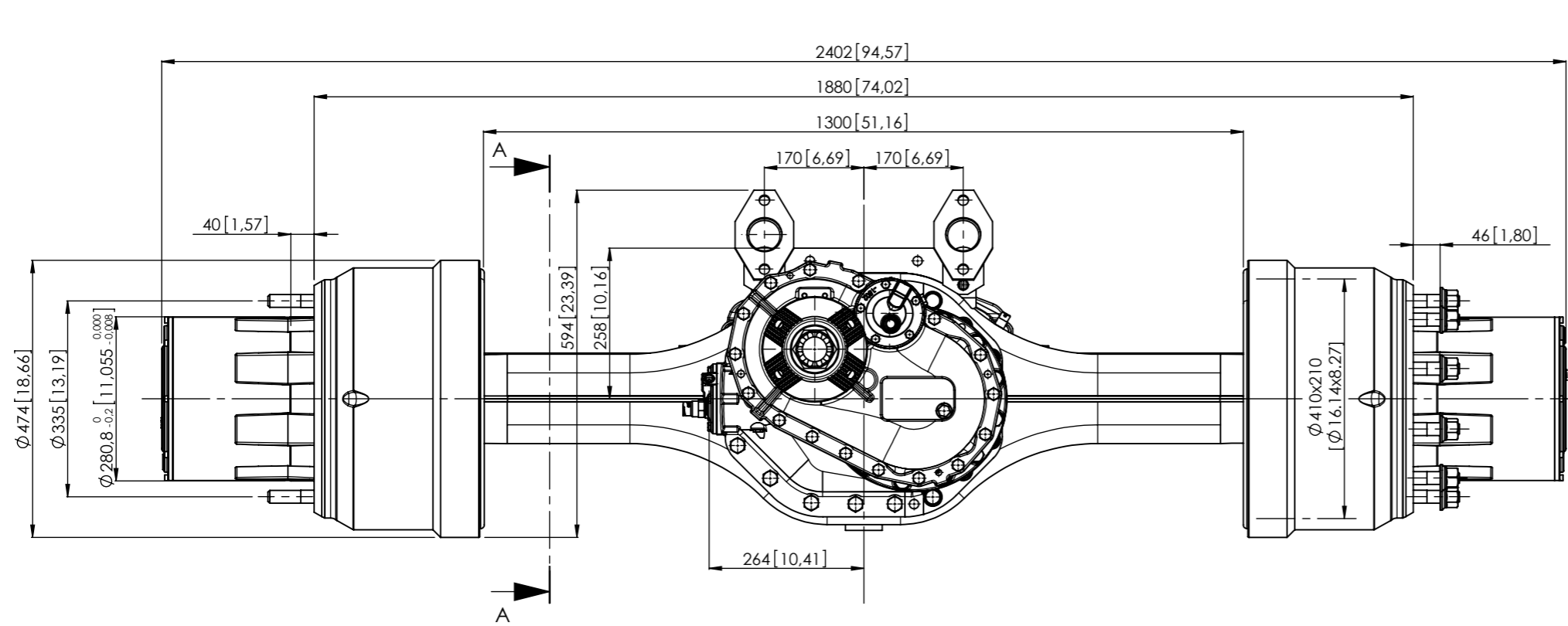
HIGH SPEED, (TRUCK) TANDEM RIGID DRIVE AXLE, FR2P32S

GAWR	32 000 kg [70,000 Lb.]
GCWR	150 000 kg [330,000 Lb.]
Axle Type	Spiral Bevel Center Differential Planetary Wheel End Reduction, 5-planet Carrier
Brakes	
Type	Drum, S-cam
Size	Ø410 mm [16,1 inch] x 210 mm [8,3 Inch] Width
Slack Adjuster	Automatic, 165 mm [6.5 Inch] Length
Chamber	30 Square Inch
Certification	FMVSS 121
Housing	Fabricated Steel, Cross Section 153 mm [6,0 Inch] Height x 137 mm [5,4 Inch] Width, Center Bowl
Wheel End	10-studs on 335 mm [13,2 Inch] BC, 280.8 mm [11,1 Inch] Pilot Diameter. Minimum Wheel Size 20 Inch
Wheel offset (Optimal)	Equal Offset on Outer and Inner Wheel
Drive Flange	ISO8667-T180
Final Drive Ratios	4.11, 4.65, 5.56, 6.36, 7.01 and 8.79
Tracks Available (Over Wheel Mounting Faces)	1800 mm [70.9 Inch], 1880 mm [74 Inch] and 2040 mm [80.3 Inch]
Lubrication	
Type	API GL-5
Capacity (FRDP)	Total 21 liters [45 pints]
Capacity (FRMP)	Total 27 liters [57 pints]
Weight-Dry (for Track 2040 mm)	
FRDP	800 kg [1,764 Lb.]
FRMP	900 kg [1,984 Lb.]

All ratings are nominal. Actual capacities determined based upon review of application data by Sisu Axles Inc.

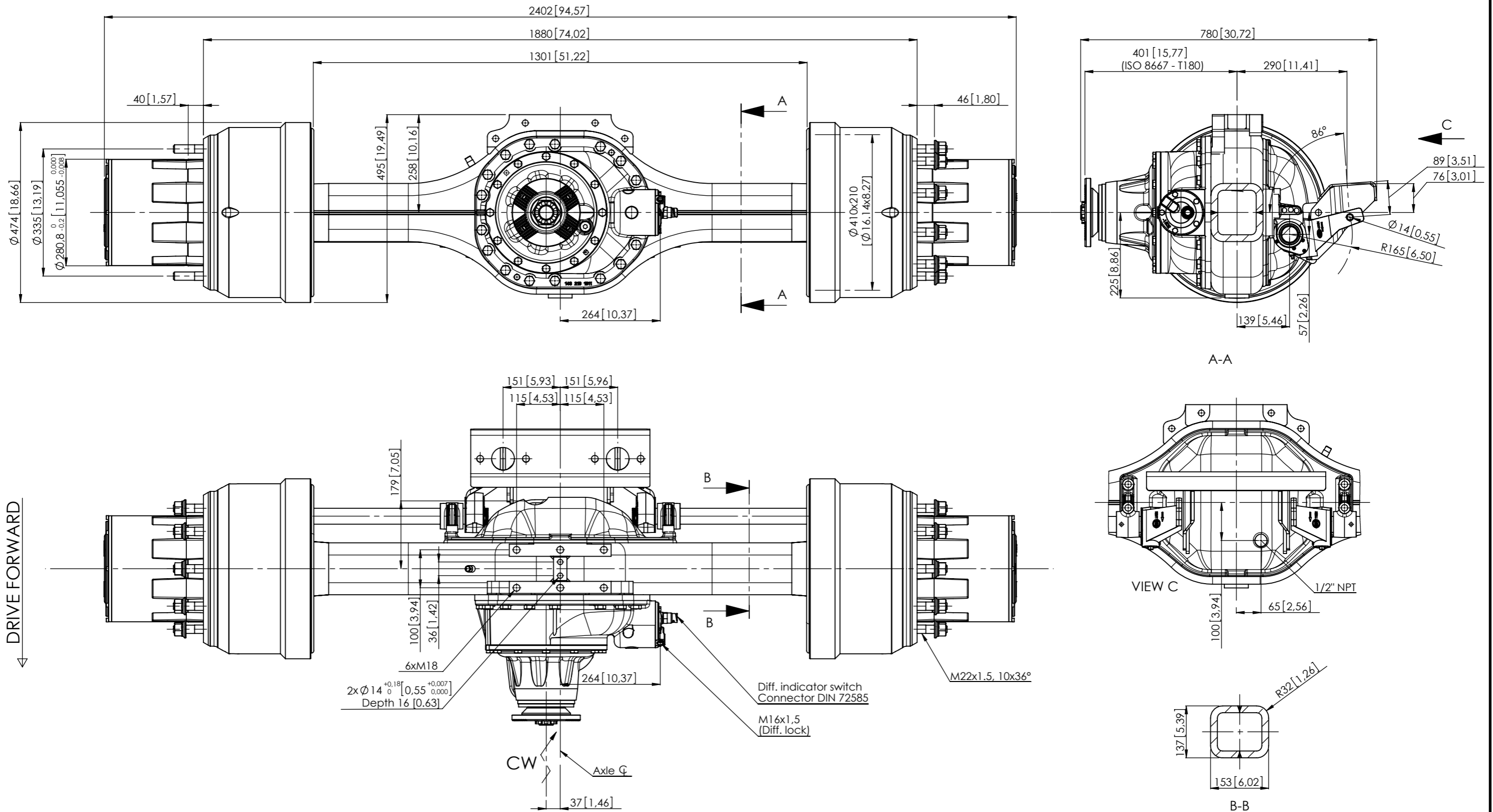
OPTIONS:	Spring Seats	Wheel Stud Length
	Wheel Nuts	Brake Chambers
	Input Drive Flange	Axle differential Lock
	ABS Provision	Slack Adjuster Types
	Top Coating	Oil Lubrication Pump

Other options may be available. Contact Sisu Axles sales for more information.



		Scale	1:10		Material				Product	FRMP16S	
		Drawn	JALI	Date	24.5.2007	Approved			Weight	kg	
<small>THIS DRAWING AND THE INFORMATION CONTAINED HEREIN IS PROPRIETARY TO SISU AXLES INC. IT SHALL NOT BE REPRODUCED, COPIED OR DISCLOSED IN WHOLE OR IN PART, OR USED FOR MANUFACTURE OF FOR OTHER PURPOSE WITHOUT THE WRITTEN PERMISSION OF SISU AXLES INC.</small>		Dimensions	mm		Title	Dimension drawing					
						Rigid					
				Through drive		Drawing n:o			Rev.	Sheet	Drawing size
						M543-036-0185			A	1/1	A3

REV.	DESCRIPTION	NIAH	26.04.2010	JALI	26.05.2010
		CHANGED	CHANGED DATE	APPROVED	APPROVED DATE



		Scale	1:10		Material			Product	FRDP16S	
		Drawn	JALI	Date	24.5.2007	Approved		Date		Weight
<small>THIS DRAWING AND THE INFORMATION CONTAINED HEREIN IS PROPRIETARY TO SISU AXLES INC. IT SHALL NOT BE REPRODUCED, COPIED OR DISCLOSED IN WHOLE OR IN PART, OR USED FOR MANUFACTURE OF FOR OTHER PURPOSE WITHOUT THE WRITTEN PERMISSION OF SISU AXLES INC.</small>		Dimensions	mm		Title	Dimension drawing				
		Drive	Rigid		Drive		Drawing n:o		Rev.	Sheet
				M543-036-0186		A		1/1		A3

REV.	DESCRIPTION	NIAH	26.04.2010	JALI	26.05.2010
		CHANGED	CHANGED DATE	APPROVED	APPROVED DATE