

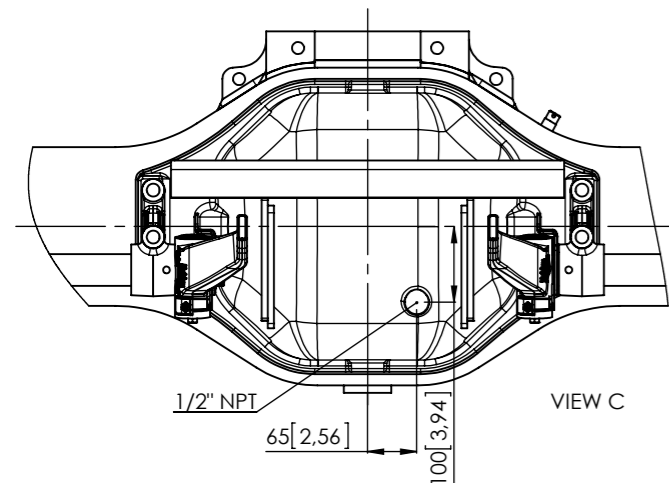
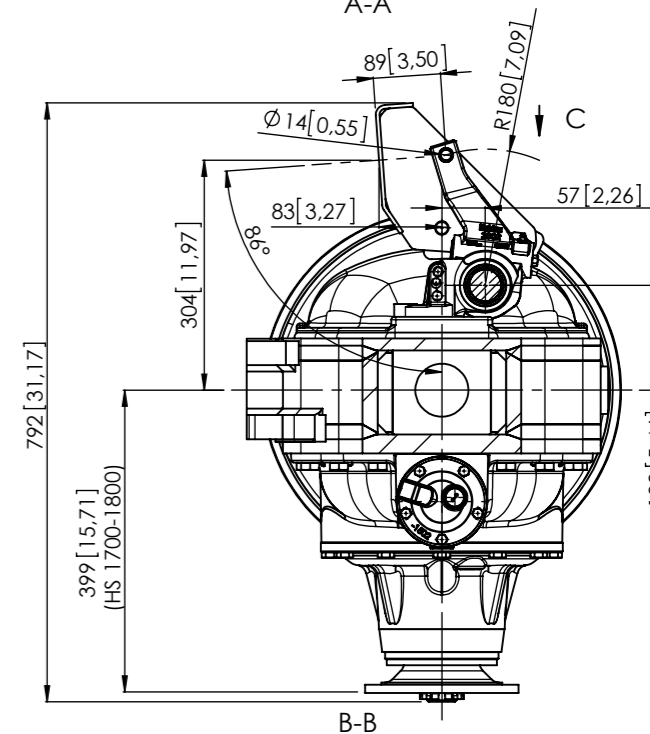
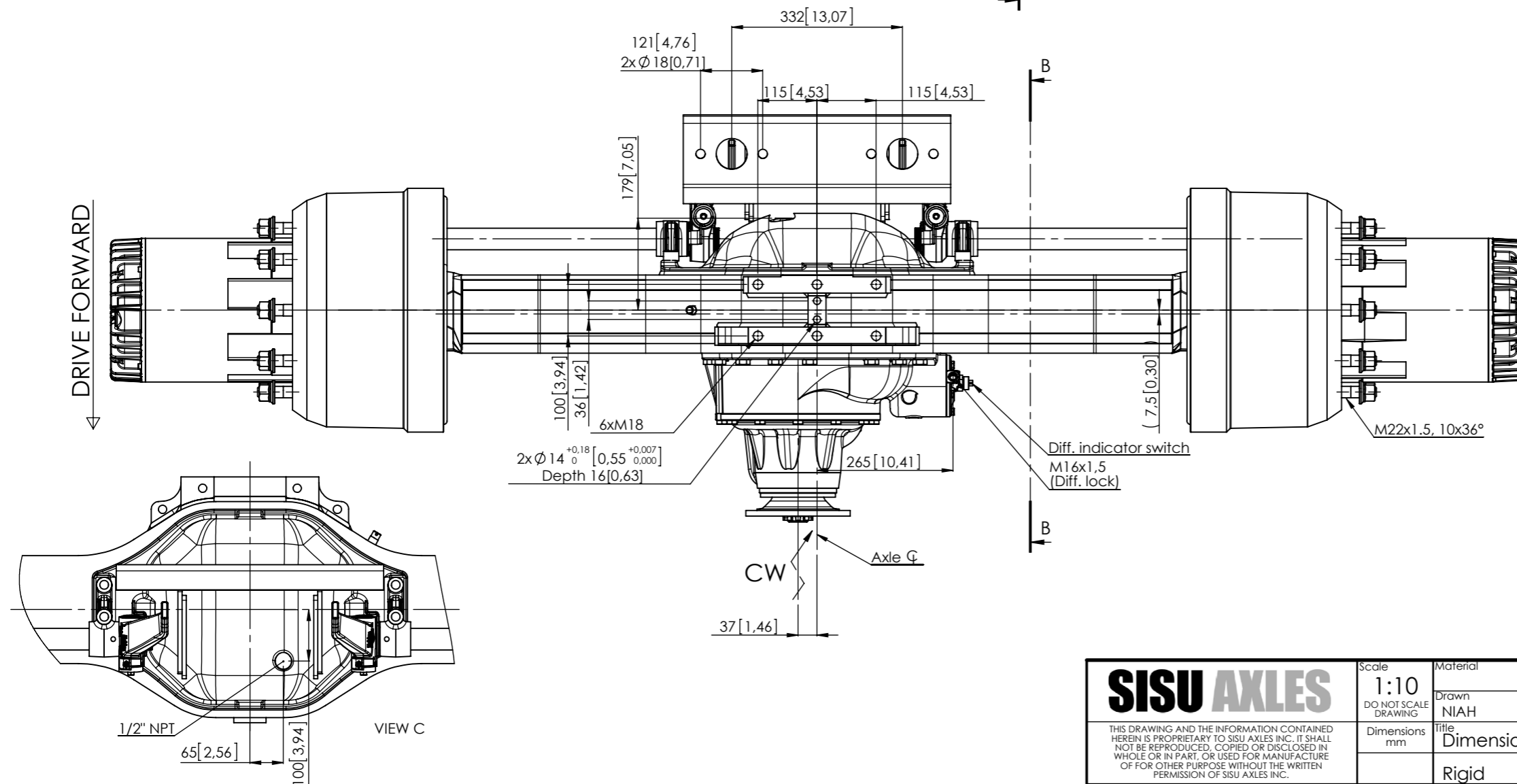
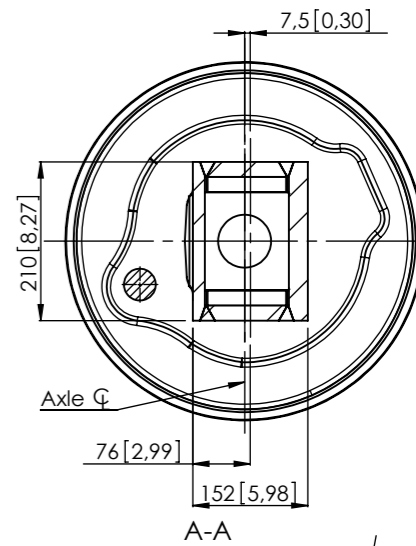
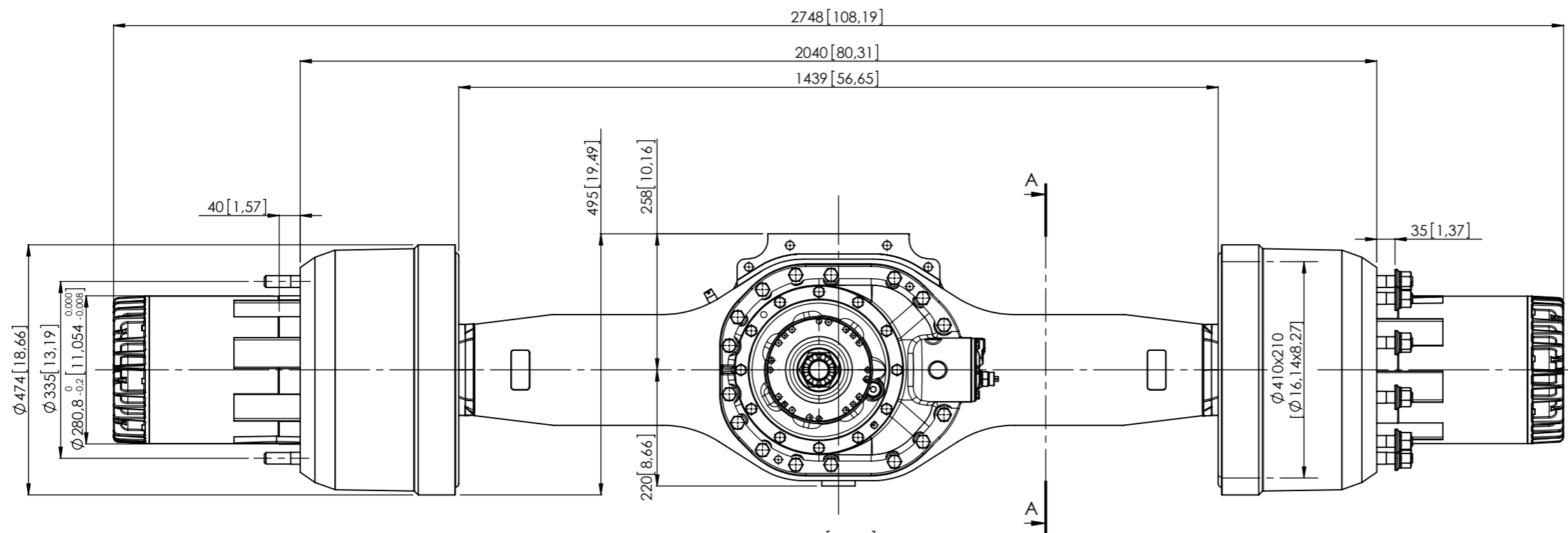
HIGH SPEED, (TRUCK) TANDEM RIGID DRIVE AXLE, FR2P41S

GAWR	41 000 kg [90,000 Lb.]
GCWR	150 000 kg [330,000 Lb.]
Axle Type	Spiral Bevel Center Differential Planetary Wheel End Reduction, 5-planet Carrier
Brakes	
Type	Drum, S-cam
Size	Ø410 mm [16,1 Inch] x 210 mm [8,3 Inch] Width
Slack Adjuster	Automatic, 180 mm [7 Inch] Length
Chamber	30 Square Inch
Housing	Fabricated Steel, Cross Section 210 mm [8,3 Inch] Height x 152 mm [6,0 Inch]. Width, Center Bowl
Wheel End	10-studs on 335 mm [13,2 Inch] BC, 280.8 mm [11,1 Inch] Pilot Diameter. Minimum Wheel Size 20 Inch
Wheel offset (Optimal)	Equal Offset on Outer and Inner Wheel
Drive Flange	HS 1700/1800
Final Drive Ratios	4.65, 5.56, 6.36, 7.01 and 8.79
Tracks Available (Over Wheel Mounting Faces)	1800 mm [70.9 Inch], 2040 mm [80.3 Inch]
Lubrication	
Type	API GL-5
Capacity (FRDP)	Total 23 liters [49 pints]
Capacity (FRMP)	Total 27 liters [57 pints]
Weight-Dry (for Track 2040 mm)	
FRDP	985 kg [2,172 Lb.]
FRMP	1089 kg [2,401 Lb.]

All ratings are nominal. Actual capacities determined based upon review of application data by Sisu Axles Inc.

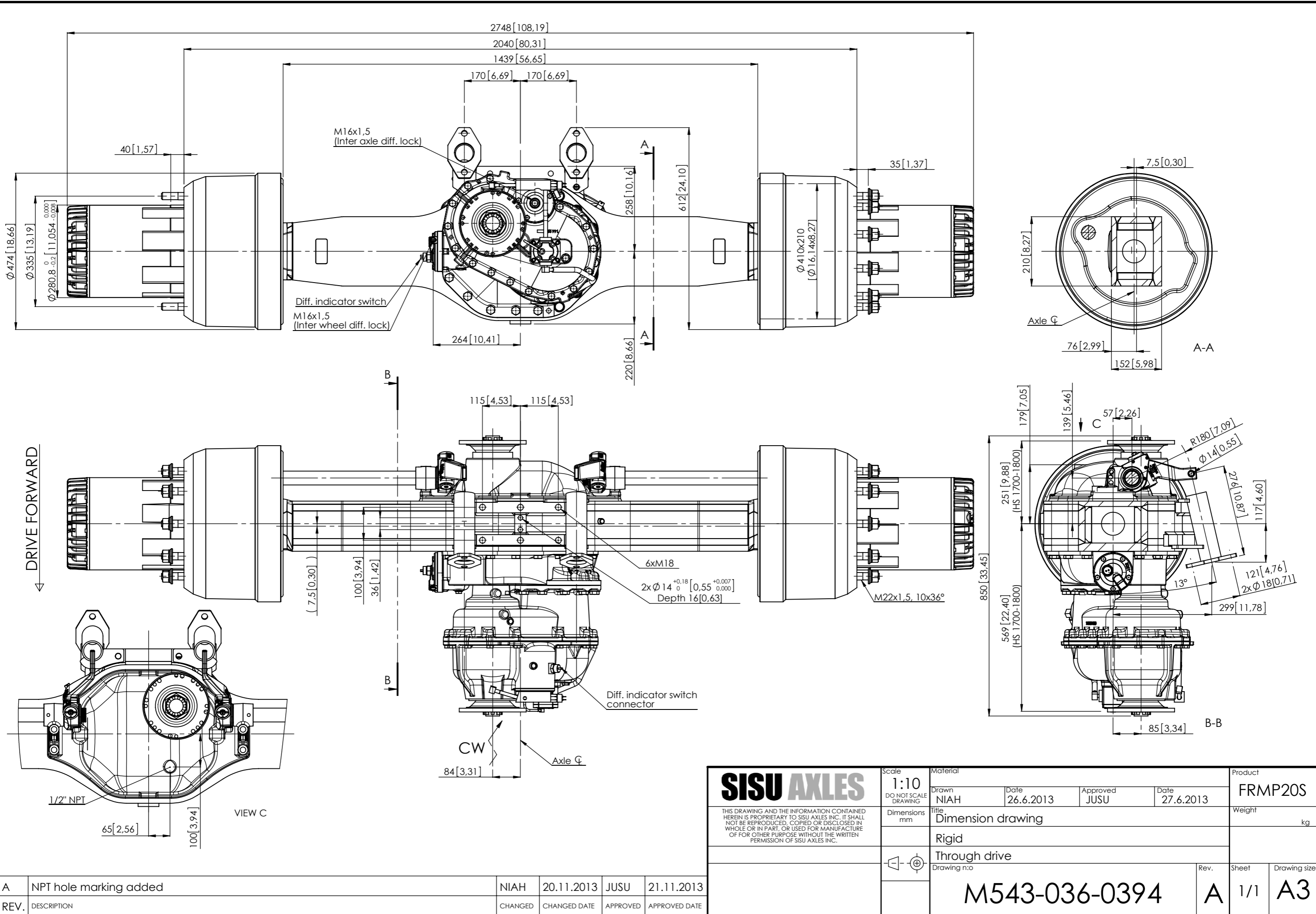
OPTIONS:	Spring Seats	Wheel Stud Length
	Wheel Nuts	Brake Chambers
	Input / Output Drive Flanges	Axle differential Lock
	ABS Provision	Slack Adjuster Type
	Top Coating	Oil Lubrication Pump

Other options may be available. Contact Sisu Axles sales for more information.



SISU AXLES <small>THIS DRAWING AND THE INFORMATION CONTAINED HEREIN IS PROPRIETARY TO SISU AXLES INC. IT SHALL NOT BE REPRODUCED, COPIED OR DISCLOSED IN WHOLE OR IN PART, OR USED FOR MANUFACTURE OF FOR OTHER PURPOSE WITHOUT THE WRITTEN PERMISSION OF SISU AXLES INC.</small>		Scale 1:10 DO NOT SCALE DRAWING	Material		Product	
		Dimensions mm	Drawn NIAH	Date 26.6.2013	Approved JUSU	Date 27.6.2013
Drive Drawing n:o		Title Dimension drawing				Weight
		Rigid				kg
REV.	DESCRIPTION	NIAH	20.11.2013	JUSU	21.11.2013	Sheet
		CHANGED	CHANGED DATE	APPROVED	APPROVED DATE	Rev.
		M543-036-0393				Sheet
						A
						1/1
						Drawing size
						A3

A	NPT hole markings added.	NIAH	20.11.2013	JUSU	21.11.2013
REV.	DESCRIPTION	CHANGED	CHANGED DATE	APPROVED	APPROVED DATE



SISU AXLES <small>THIS DRAWING AND THE INFORMATION CONTAINED HEREIN IS PROPRIETARY TO SISU AXLES INC. IT SHALL NOT BE REPRODUCED, COPIED OR DISCLOSED IN WHOLE OR IN PART, OR USED FOR MANUFACTURE OF FOR OTHER PURPOSE WITHOUT THE WRITTEN PERMISSION OF SISU AXLES INC.</small>	Scale 1:10 DO NOT SCALE DRAWING		Material		Product FRMP20S	
	Dimensions mm		Drawn NIAH	Date 26.6.2013	Approved JUSU	Date 27.6.2013
			Title Dimension drawing			Weight kg
			Rigid			
			Through drive Drawing n:o			
			M543-036-0394			
		Rev.	Sheet	Drawing size		
		A	1/1	A3		

REV.	DESCRIPTION	CHANGED	CHANGED DATE	APPROVED	APPROVED DATE
A	NPT hole marking added	NIAH	20.11.2013	JUSU	21.11.2013