

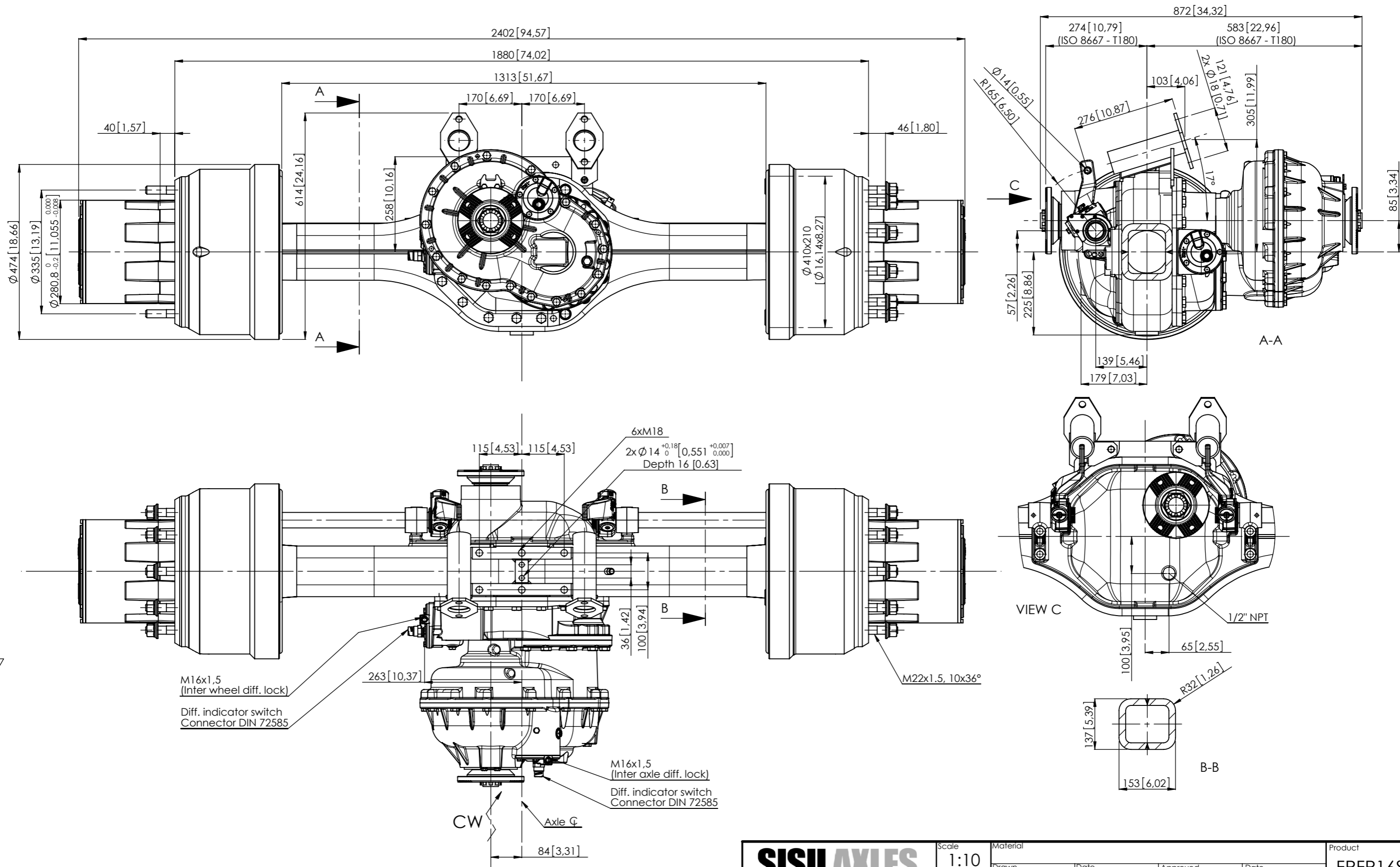
HIGH SPEED, (TRUCK) TRIDEM RIGID DRIVE AXLE, FR3P48S

GAWR	48 000 kg [106,000 Lb.]
GCWR	200 000 kg [440,000 Lb.]
Axle Type	Spiral Bevel Center Differential Planetary Wheel End Reduction, 5-planet Carrier Torque proportional differential 31.8/68.2
Brakes	
Type	Drum, S-cam
Size	Ø410 mm [16,1 Inch] x 210 mm [8,3 Inch] Width
Slack Adjuster	Automatic, 165 mm [6.5 Inch] Length
Chamber	30 Square Inch
Certification	FMVSS 121
Housing	Fabricated Steel, Cross Section 153 mm [6,0 Inch] Height x 137 mm [5,4 Inch] Width, Center Bowl
Wheel End	10-studs on 335 mm [13,2 Inch] BC, 280.8 mm [11,1 Inch] Pilot Diameter. Minimum Wheel Size 20 Inch
Wheel offset (Optimal)	Equal Offset on Outer and Inner Wheel
Drive Flange	ISO8667-T180
Final Drive Ratios	4.65, 5.56, 6.36, 7.01 and 8.79
Tracks Available (Over Wheel Mounting Faces)	1800 mm [70.9 Inch], 1880 mm [74 Inch] and 2040 mm [80.3 Inch]
Lubrication	
Type	API GL-5
Capacity (FRDP)	Total 21 liters [45 pints]
Capacity (FRMP)	Total 27 liters [57 pints]
Capacity (FRFP)	Total 27 liters [57 pints]
Weight-Dry (for Track 2040 mm)	
FRDP	800 kg [1,764 Lb.]
FRMP	900 kg [1,984 Lb.]
FRFP	920 kg [2,028 Lb.]

All ratings are nominal. Actual capacities determined based upon review of application data by Sisu Axles Inc.

OPTIONS:	Spring Seats	Wheel Stud Length
	Wheel Nuts	Brake Chambers
	Input / Output Drive Flanges	Axle differential Lock
	ABS Provision	Slack Adjuster Types
	Top Coating	Oil Lubrication Pump

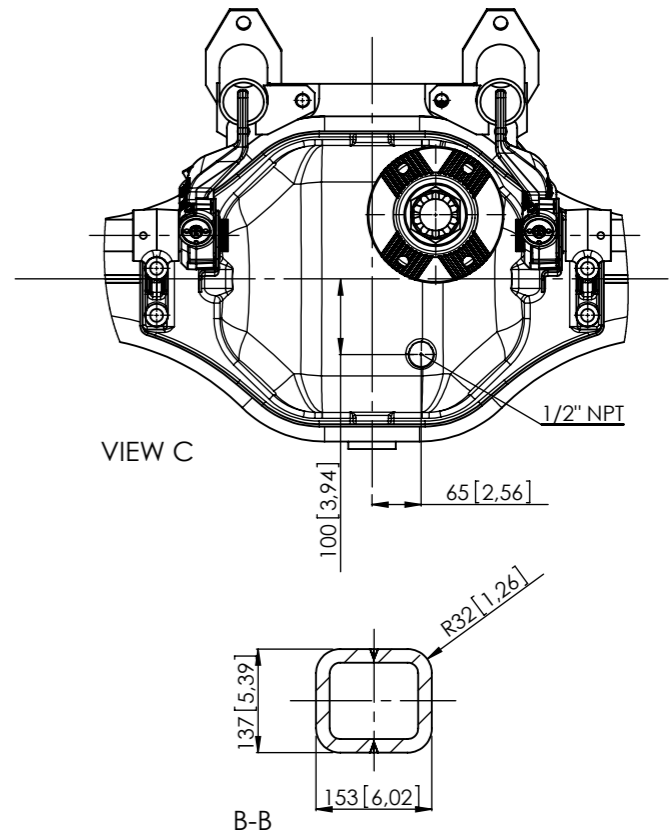
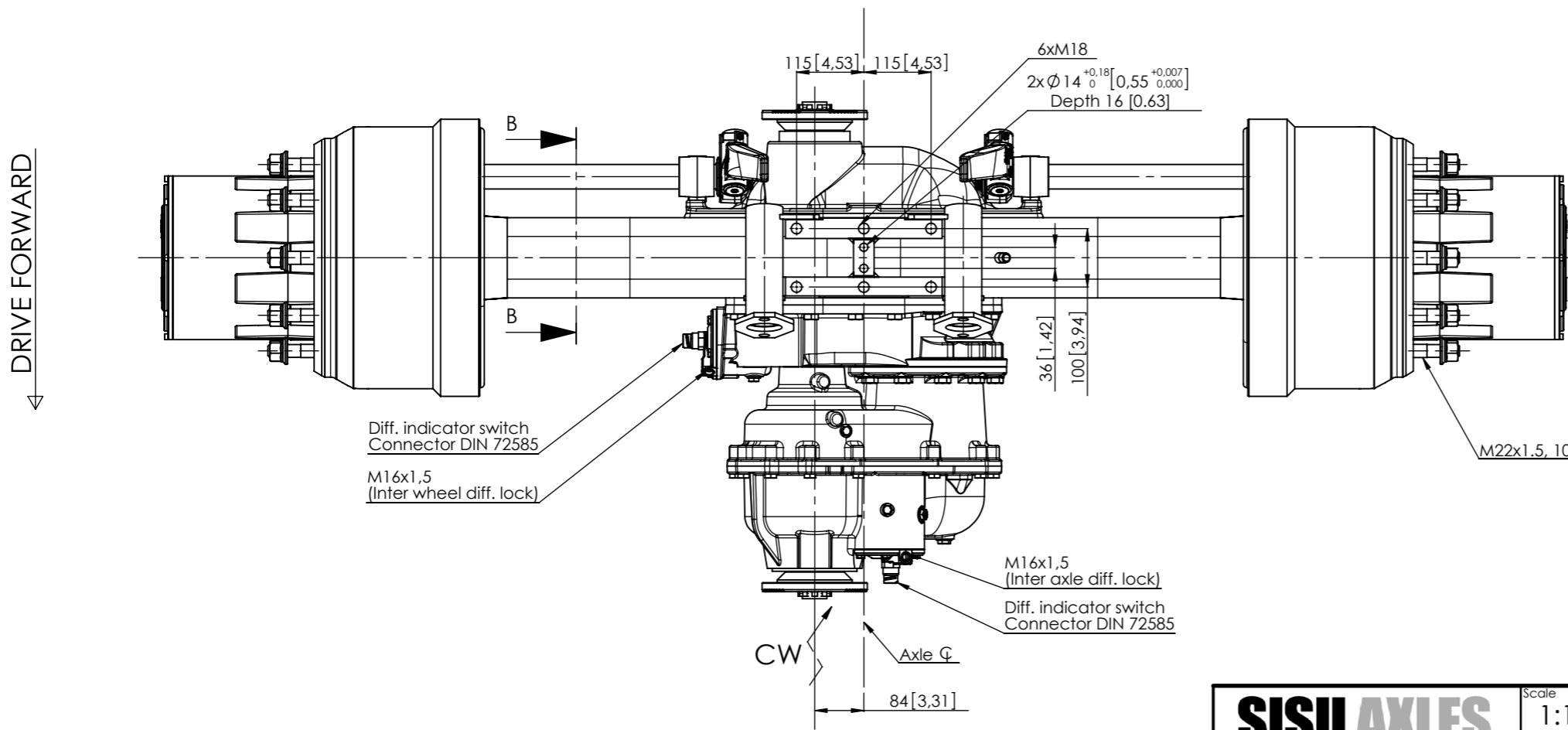
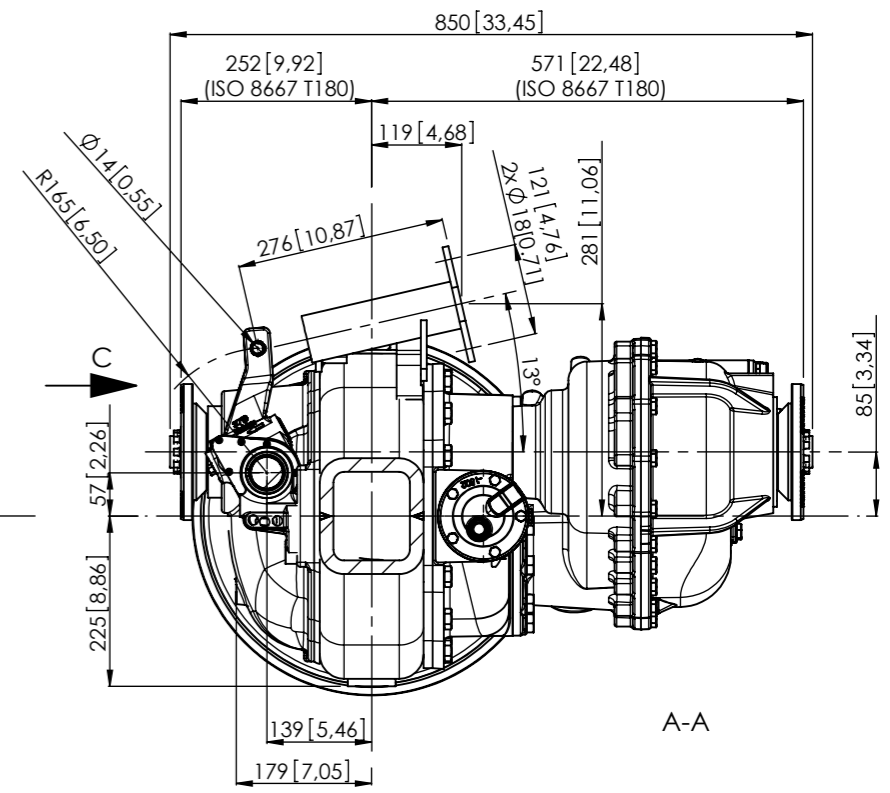
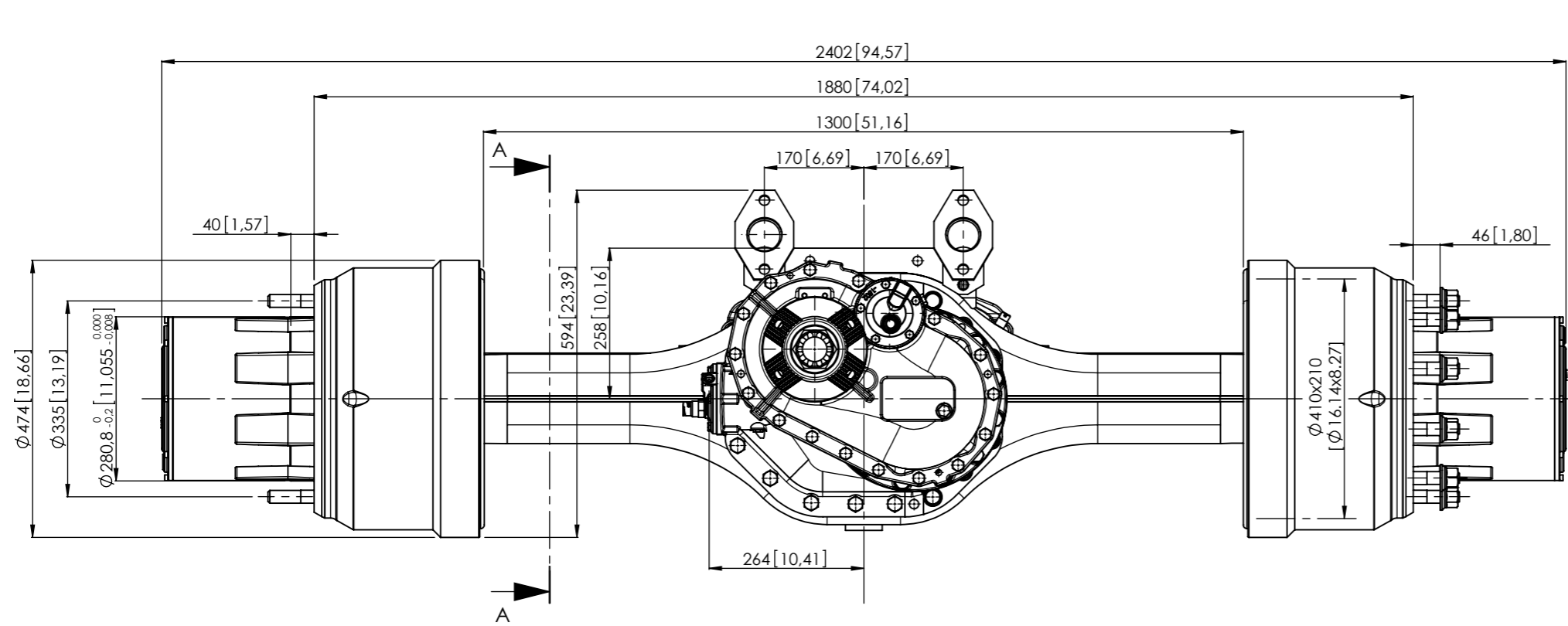
Other options may be available. Contact Sisu Axles sales for more information.



DRIVE FORWARD

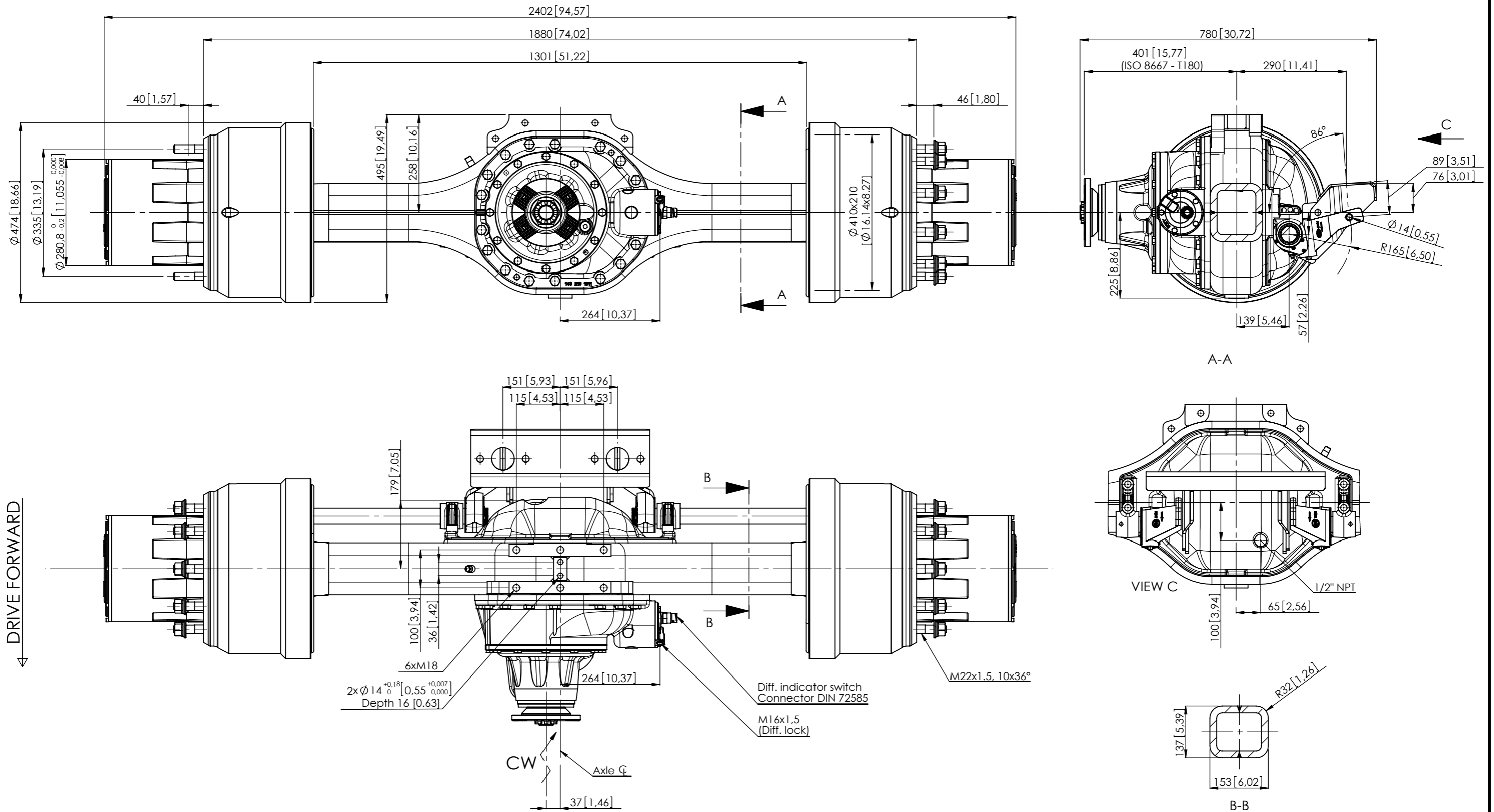
SISU AXLES <small>THIS DRAWING AND THE INFORMATION CONTAINED HEREIN IS PROPRIETARY TO SISU AXLES INC. IT SHALL NOT BE REPRODUCED, COPIED OR DISCLOSED IN WHOLE OR IN PART OR USED FOR MANUFACTURE OF FOR OTHER PURPOSE WITHOUT THE WRITTEN PERMISSION OF SISU AXLES INC.</small>	Scale	Material		Product	
	1:10 DO NOT SCALE DRAWING	Drawn JALI	Date 24.5.2007	Approved	Date
	Dimensions mm	Title Dimension drawing			Weight kg
		Rigid			
		Through drive Drawing n:o			Rev.
		M543-064-0032			Sheet 1/1
					Drawing size A3

REV.	DESCRIPTION	CHANGED	CHANGED DATE	APPROVED	APPROVED DATE



		Scale	1:10		Material				Product	FRMP16S	
		Drawn	JALI	Date	24.5.2007	Approved			Weight	kg	
<small>THIS DRAWING AND THE INFORMATION CONTAINED HEREIN IS PROPRIETARY TO SISU AXLES INC. IT SHALL NOT BE REPRODUCED, COPIED OR DISCLOSED IN WHOLE OR IN PART, OR USED FOR MANUFACTURE OF FOR OTHER PURPOSE WITHOUT THE WRITTEN PERMISSION OF SISU AXLES INC.</small>		Dimensions	mm		Title	Dimension drawing					
						Rigid					
				Through drive		Drawing n:o			Rev.	Sheet	Drawing size
						M543-036-0185			A	1/1	A3

REV.	DESCRIPTION	NIAH	26.04.2010	JALI	26.05.2010
		CHANGED	CHANGED DATE	APPROVED	APPROVED DATE



					Scale	Material			Product	
					1:10 DO NOT SCALE DRAWING	Drawn JALI	Date 24.5.2007	Approved	Date	FRDP16S
<small>THIS DRAWING AND THE INFORMATION CONTAINED HEREIN IS PROPRIETARY TO SISU AXLES INC. IT SHALL NOT BE REPRODUCED, COPIED OR DISCLOSED IN WHOLE OR IN PART, OR USED FOR MANUFACTURE OF FOR OTHER PURPOSE WITHOUT THE WRITTEN PERMISSION OF SISU AXLES INC.</small>					Dimensions mm	Title			Weight	
						Dimension drawing			kg	
					Rigid					
					Drive Drawing n:o					
REV.	DESCRIPTION	CHANGED	CHANGED DATE	APPROVED	APPROVED DATE	M543-036-0186		Rev.	Sheet	Drawing size
A	Modeled and redrawn	NIAH	26.04.2010	JALI	26.05.2010	A		1/1	A3	