

**HIGH SPEED, (TRUCK) RIGID DRIVE AXLE, FRDP10S**

<b>GAWR</b>	10 000 kg [22,000 Lb.]
<b>GCWR</b>	20 000 kg [44,000 Lb.]
<b>Axle Type</b>	Spiral Bevel Center Differential Planetary Wheel End Reduction, 5-planet Carrier
<b>Brakes</b>	
Type	Drum, S-cam
Size	Ø410 mm [16,1 Inch]x 180 mm [7,1 Inch] Width
Slack Adjuster	Automatic, 165 mm [6.5 Inch] Length
Chamber	30 Square Inch
Certification	FMVSS 121
<b>Housing</b>	Fabricated Steel, Cross Section 153 mm [6,0 Inch] Height x 137 mm [5,4 Inch] Width, Center Bowl
<b>Wheel End</b>	10-studs on 335 mm [13,2 Inch] BC, 280.8 mm [11,1 Inch] Pilot Diameter. Minimum Wheel Size 20 Inch Single Tire Mounting
<b>Wheel offset (optimal)</b>	Inset 90...165 mm [5.1...6.5 Inch]
<b>Drive Flange</b>	ISO8667-T150
<b>Final Drive Ratios</b>	4.63, 4.85, 5.54, 6.36 and 7.01
<b>Tracks Available (Over wheel mounting faces)</b>	2360 mm [92.9 Inch]
<b>Lubrication</b>	
Type	API GL-5
Capacity (estimated)	Total 13 liters [27 pints]
<b>Weight-Dry</b>	660 kg [1,455 Lb.]

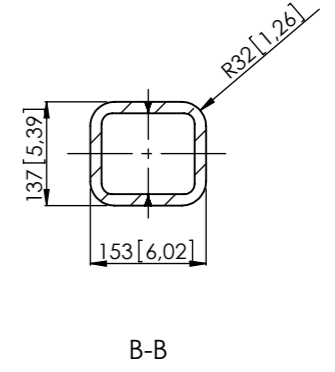
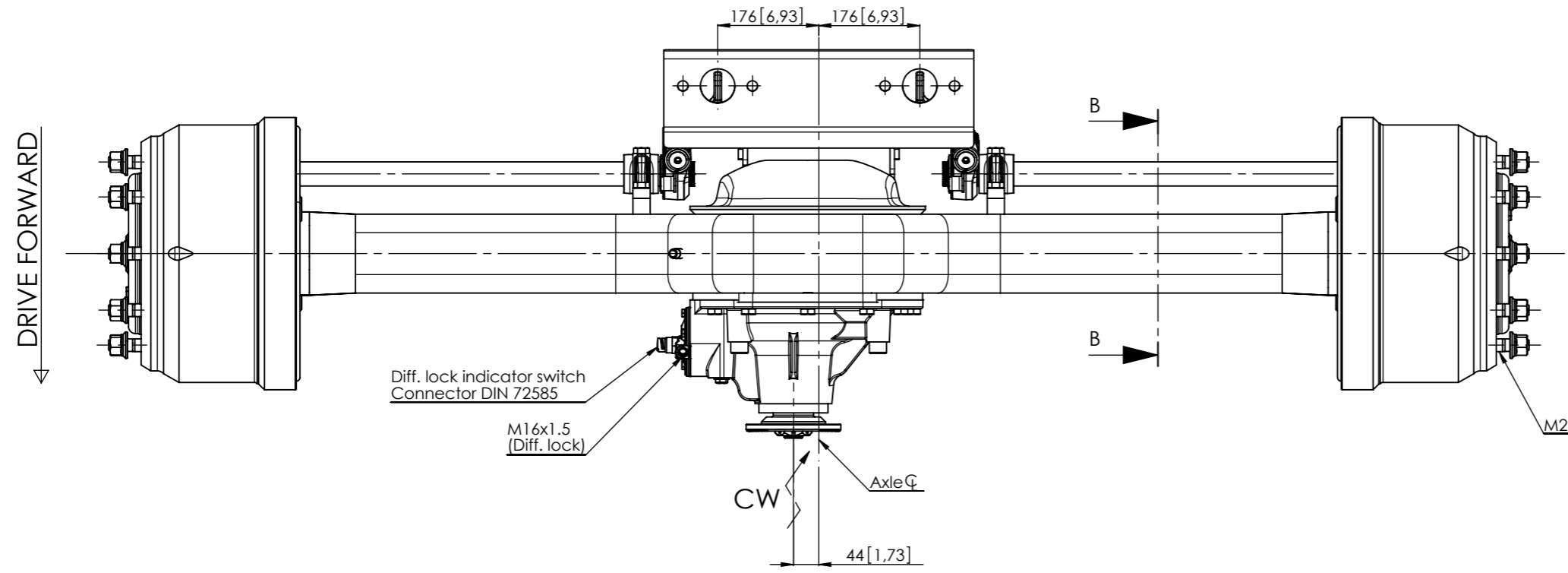
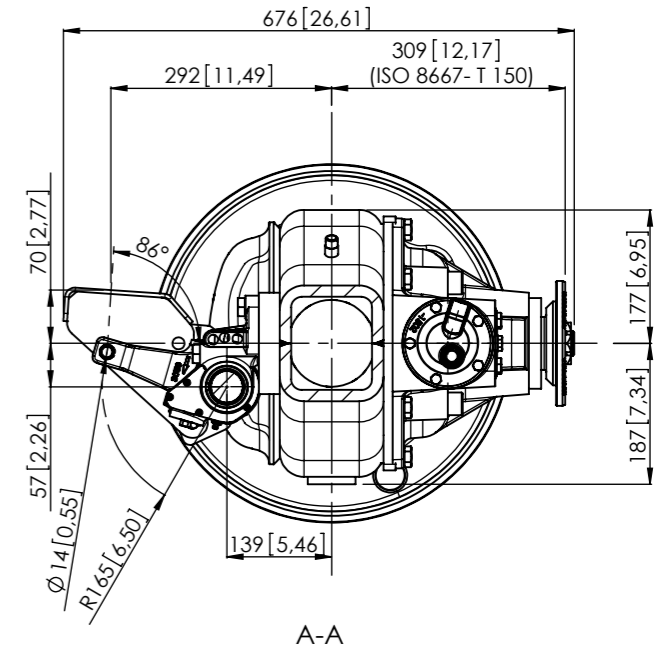
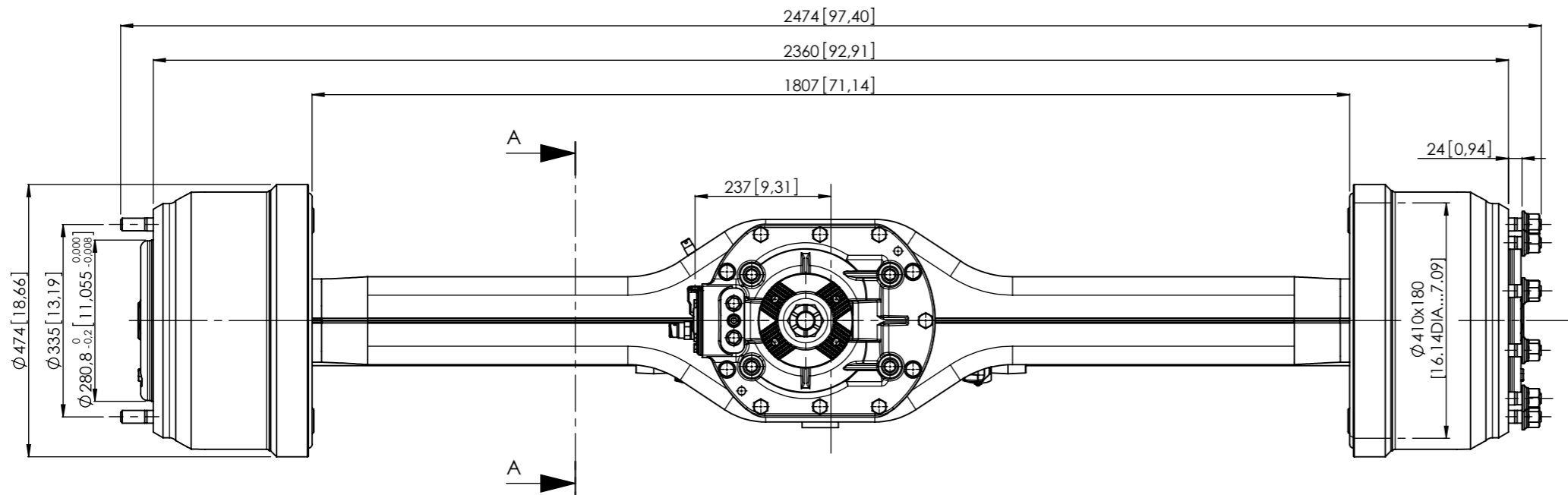
All ratings are nominal. Actual capacities determined based upon review of application data by Sisu Axles Inc.

---

<b>OPTIONS:</b>	Spring Seats	Wheel Stud Length
	Wheel Nuts	Brake Chambers
	Input Drive flange	Axle differential lock
	ABS Provision	Slack adjuster type
	CTI Provision	Top Coating

Other options may be available. Contact Sisu Axles sales for more information.

---



<b>SISU AXLES</b> <small>THIS DRAWING AND THE INFORMATION CONTAINED HEREIN IS PROPRIETARY TO SISU AXLES INC. IT SHALL NOT BE REPRODUCED, COPIED OR DISCLOSED IN WHOLE OR IN PART, OR USED FOR MANUFACTURE OF FOR OTHER PURPOSE WITHOUT THE WRITTEN PERMISSION OF SISU AXLES INC.</small>		Scale <b>1:10</b> DO NOT SCALE DRAWING	Material		Product	
		Dimensions mm	Drawn JALI	Date 22.5.2007	Approved	Date
		Title Dimension drawing			Weight kg	
		Rigid				
		Drive Drawing n:o			Rev.	Sheet
		<b>M543-037-0049</b>			<b>A</b>	<b>1/1</b>
		Drawing size		<b>A3</b>		

A	Modeled and redrawn	NIAH	21.04.2010	JALI	26.05.2010
REV.	DESCRIPTION	CHANGED	CHANGED DATE	APPROVED	APPROVED DATE