

**HIGH SPEED, (TRUCK) NON-DRIVE STEER AXLE, FSND10P**

<b>GAWR</b>	10 000 kg [22,000 Lb.]
<b>Axle Type</b>	Forged Beam
<b>Brakes</b>	
Type	Dry Disc, Ventilated
Size	Ø434 mm [17,1 Inch] x 45 mm [1,8 Inch] Thickness
Chamber	24 Square Inch
<b>Steering</b>	
KPI	7°
Caster	0°
Camber	1°
Turn angle	46°
<b>Housing</b>	Forged I-Beam, Drop 115 mm [4.5 Inch]
<b>Wheel End</b>	10-studs on 335 mm [13,2 Inch] BC, 280.8 mm [11,06 Inch] Pilot Diameter. Minimum Wheel Size 22.5 Inch
<b>Wheel offset</b> (optimal)	Inset 120...160 mm [4.7...6.3 Inch]
<b>Tracks Available</b> (Over wheel mounting faces)	2361 mm [93 Inch]
<b>Lubrication</b>	
Type	Lithium Based Multi Purpose Grease According to NLGI 2
<b>Weight-Dry</b>	510 kg [1.124 Lb.]

---

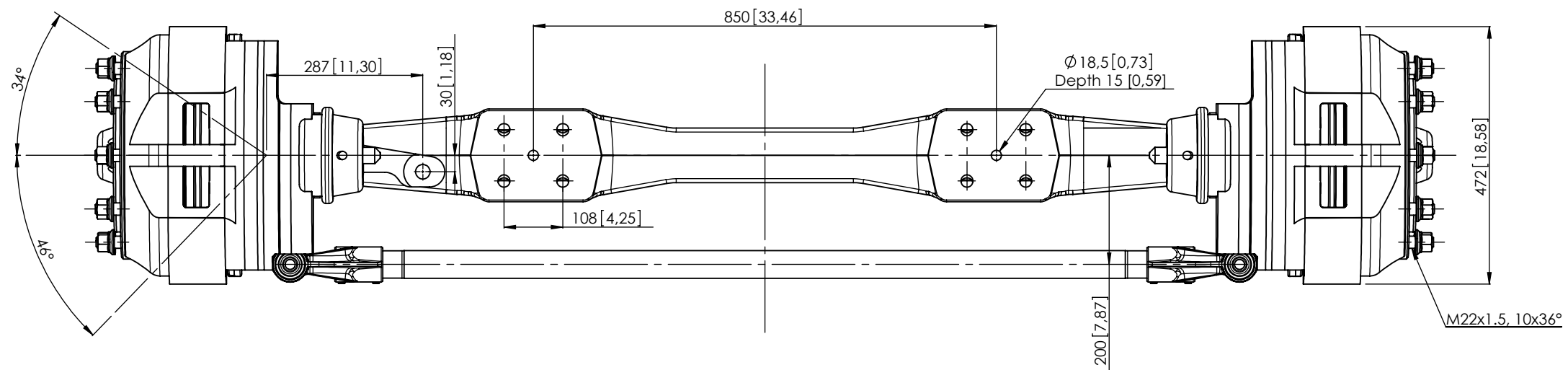
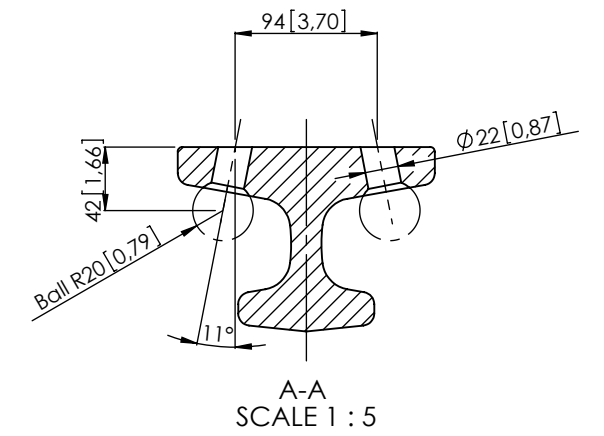
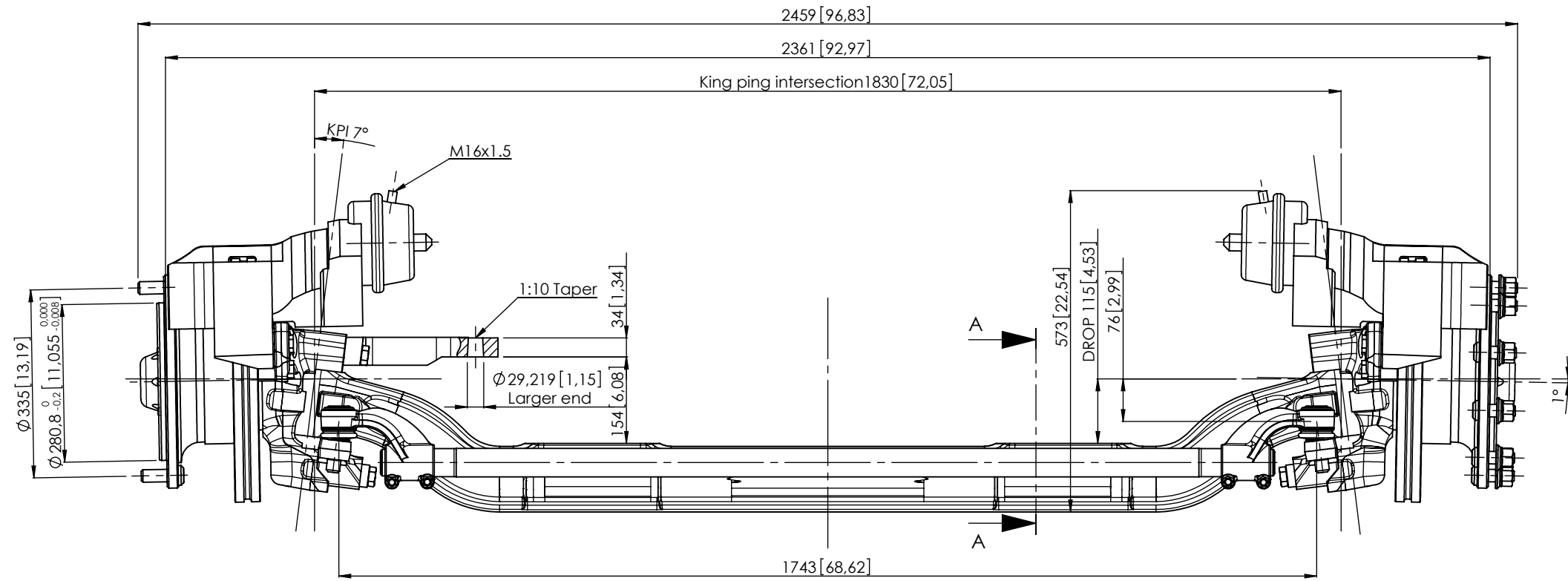
All ratings are nominal. Actual capacities determined based upon review of application data by Sisu Axles Inc.

<b>OPTIONS:</b>	Hole Patterns	Wheel Stud Length
	Wheel Nuts	Brake Chambers
	ABS Provision	Steering Arm Configurations
	Top Coating	

---

Other options may be available. Contact Sisu Axles sales for more information.

---



<b>SISU AXLES</b> <small>THIS DRAWING AND THE INFORMATION CONTAINED HEREIN IS PROPRIETARY TO SISU AXLES INC. IT SHALL NOT BE REPRODUCED, COPIED OR DISCLOSED IN WHOLE OR IN PART, OR USED FOR MANUFACTURE OF FOR OTHER PURPOSE WITHOUT THE WRITTEN PERMISSION OF SISU AXLES INC.</small>	Scale <b>1:10</b> DO NOT SCALE DRAWING	Material	Product
	Dimensions mm	Drawn: JALI Date: 4.6.2007 Approved: _____ Date: _____	FSND10P
		Title	Weight
		Steering	kg
		Non-drive Drawing n:o	Rev.
		<b>M540-045-0011</b>	<b>A</b>
			Sheet
			<b>1/1</b>
			Drawing size
			<b>A3</b>

A	Modeled and redrawn	NIAH	27.05.2010	JALI	28.05.2010
REV.	DESCRIPTION	CHANGED	CHANGED DATE	APPROVED	APPROVED DATE