

**LOW SPEED, (CONTAINER HANDLING) RIGID DRIVE AXLE, SRDP30S**

<b>GAWR</b>	30 000 kg [70,000 Lb.]
<b>GCWR</b>	90 000 kg [198,500 Lb.]
<b>Axle Type</b>	Hypoid type Differential Planetary Wheel End Reduction, 4-planet carrier
<b>Brakes</b>	
Type	Drum, S-cam
Size	Ø410 mm [16,1 Inch] x 210 mm [8,3 Inch] Width
Slack Adjuster	Manual, 178 mm [7 Inch] Length
Chamber	30 Square Inch
<b>Housing</b>	Fabricated Steel, Cross Section 153 mm [6,0 Inch] Height x 137 mm [5,4 Inch] Width, Center Bowl
<b>Wheel End</b>	10-studs on 335 mm [13,2 Inch] BC, 280.8 mm [11,1 Inch] Pilot Diameter. Minimum Wheel Size 20 Inch
<b>Wheel offset</b> (Optimal)	Equal Offset on Outer and Inner Wheel
<b>Drive Flange</b>	ISO8667-T180
<b>Final Drive Ratios</b>	10.59, 12.28, 16.41 and 20.57
<b>Tracks Available</b> (Over Wheel Mounting Faces)	1800 mm [70.9 Inch]
<b>Lubrication</b>	
Type	API GL-5
Capacity	Total 21 liters [45 pints]
<b>Weight-Dry</b>	750 kg [1,653 Lb.]

---

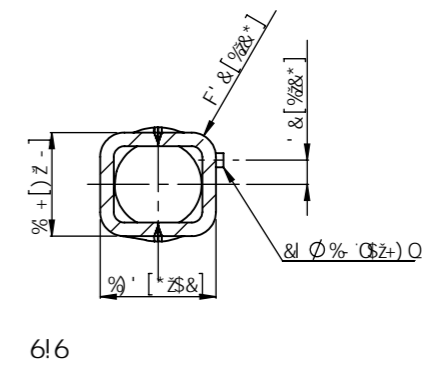
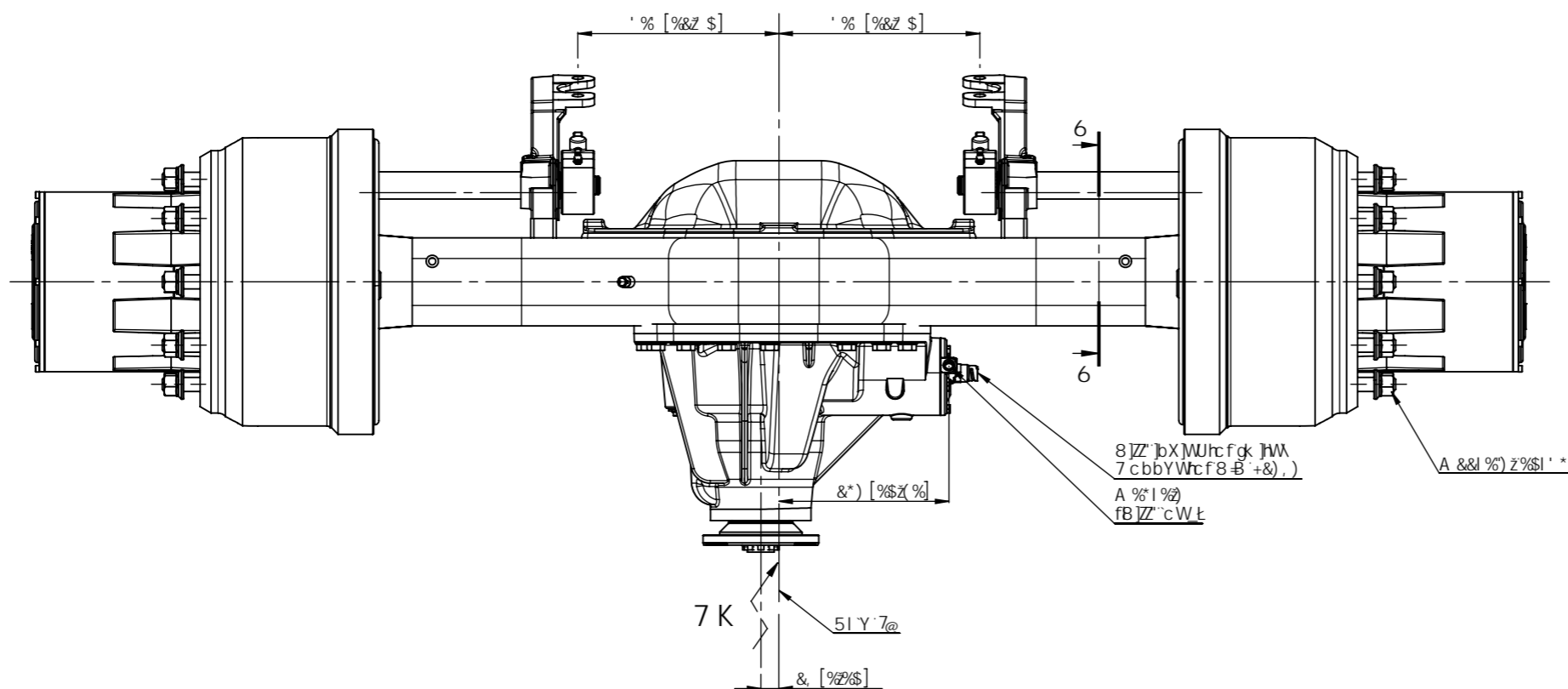
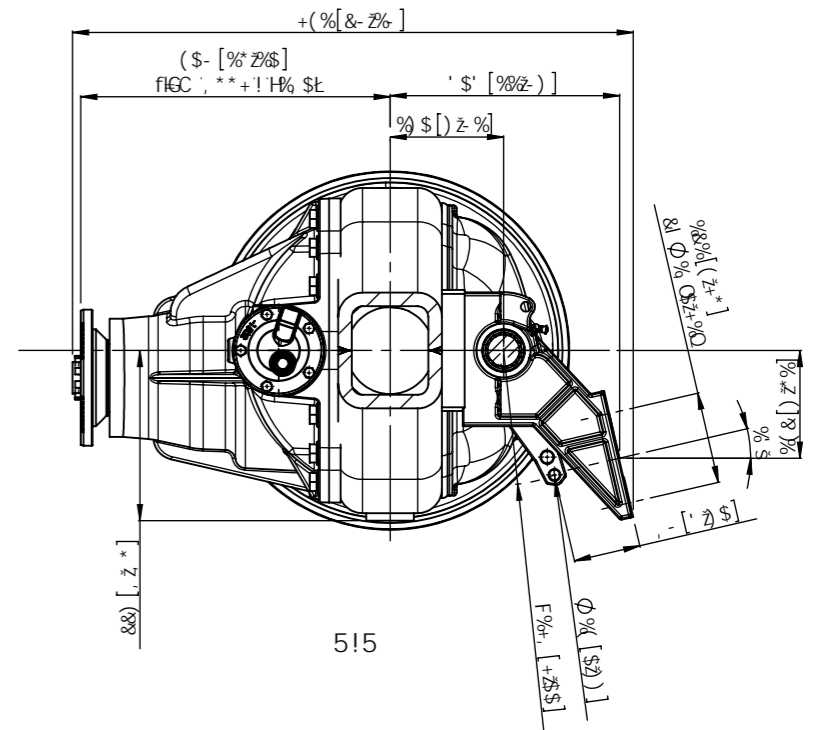
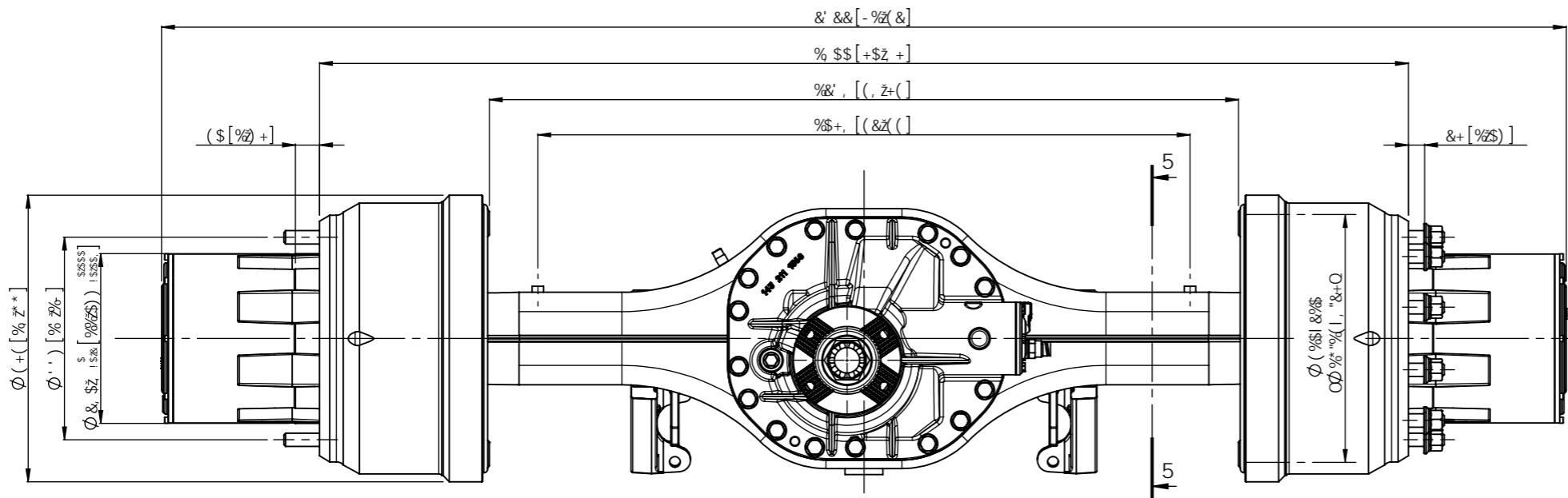
All ratings are nominal. Actual capacities determined based upon review of application data by Sisu Axles Inc.

<b>OPTIONS:</b>	Spring Seats	Wheel Stud Length
	Wheel Nuts	Brake Chambers
	Input Drive Flange	Axle differential Lock
	ABS Provision	Automatic Slack adjusters
	Top Coating	Brake lining Width 180 mm

---

Other options may be available. Contact Sisu Axles sales for more information.

---



8FJ 9: CFK 5F8

<b>SISU AXLES</b> <small>H: 68F5K B: 588 H: 9 B: CFA 5HC B 7C B15 B 98          &lt; 9 F 9 B 4 DFC DF 5H5 FMHC GG 5L 0G B 7 * HG &lt; 5 @          BC H 69 F 90FC B1 7 9827 C D 0 @ C F B 67 0C 98 B          K &lt; C 09 C F B DS FR G F1 G98 C FA 5B1 57 H F 9          C : : C F C H 9 F DI FDC 09 K H C1 H H 9 K F 4 H 98          D 9 FA 4 G C B C : GG 5L 0G B 7 *</small>		GAUY % % \$	A URY T U	Drc XI Vh	
		8FUK b >5 @	8UHY \$ * \$ - " & \$ \$ +	5ddfcj YX	8UHY
<small>8ja Ybgc bg a a</small>		8FJ Y	8FUK b[ b.c	K Y[ \h	
<small>8FJ Y 8FUK b[ b.c</small>		<b>A ) ( ' ! \$ ) ) ! \$ \$ &amp; +</b>		FYJ * G V Y h 8FUK b[ ghY	
5	A cXY YX 'UbX 'fYXfUk b	B 5 <	\$, "\$*" & \$ % \$	>5 @=	%+ "\$*" & \$ % \$
F9J "	89G7 F 0HC B	7 < 5B: 98	7 < 5B: 98 85H	5DDFCJ 98	5DDFCJ 98 85H

5	A cXY YX 'UbX 'fYXfUk b	B 5 <	\$, "\$*" & \$ % \$	>5 @=	%+ "\$*" & \$ % \$
F9J "	89G7 F 0HC B	7 < 5B: 98	7 < 5B: 98 85H	5DDFCJ 98	5DDFCJ 98 85H