

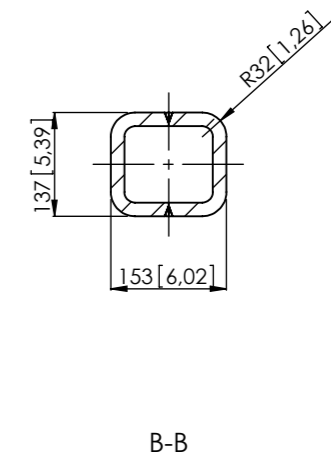
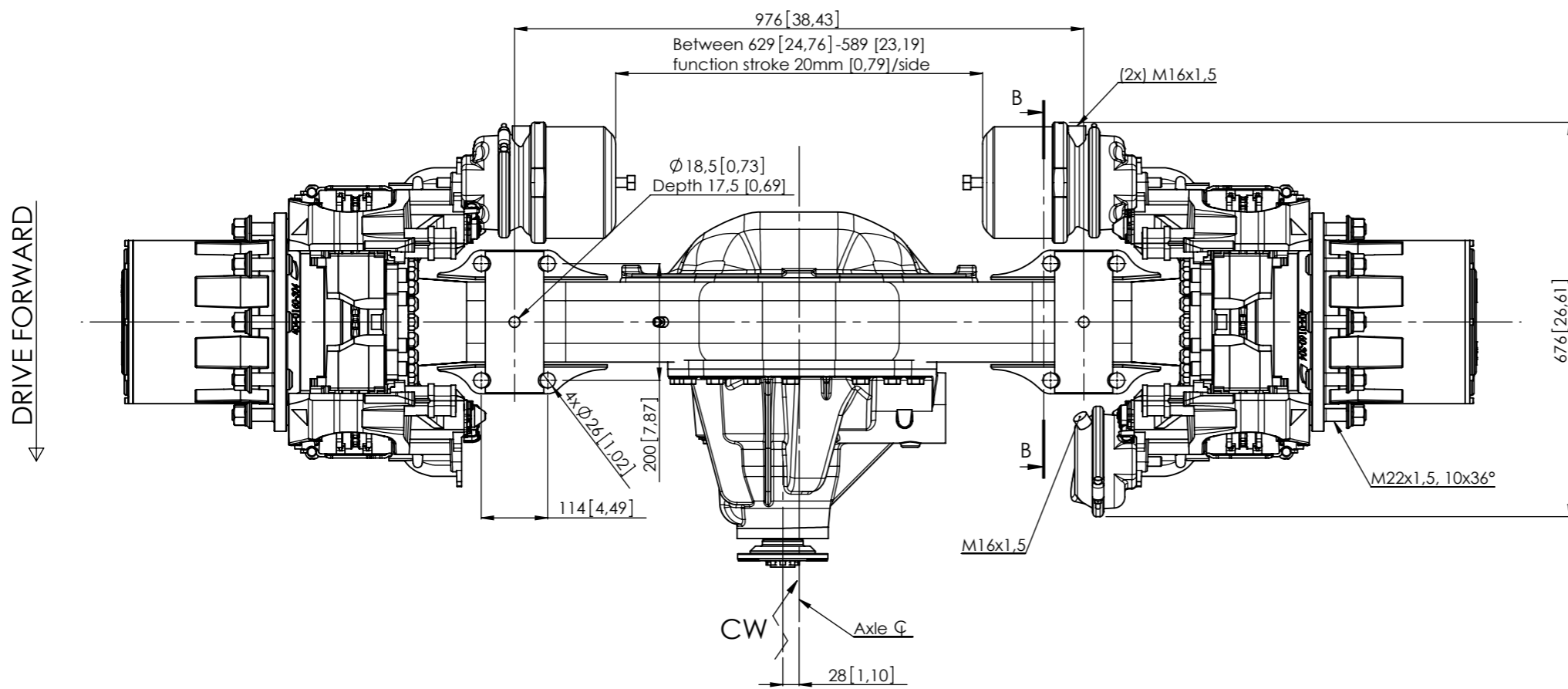
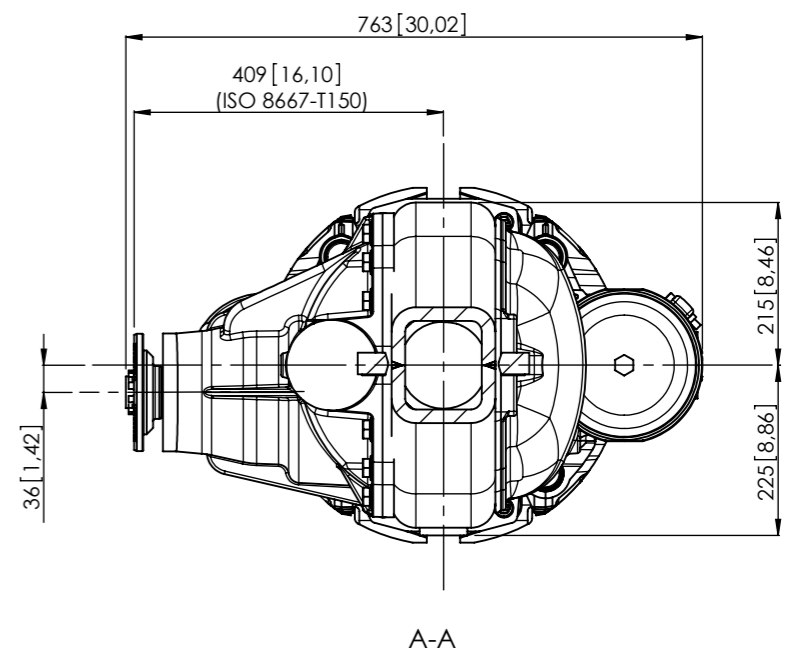
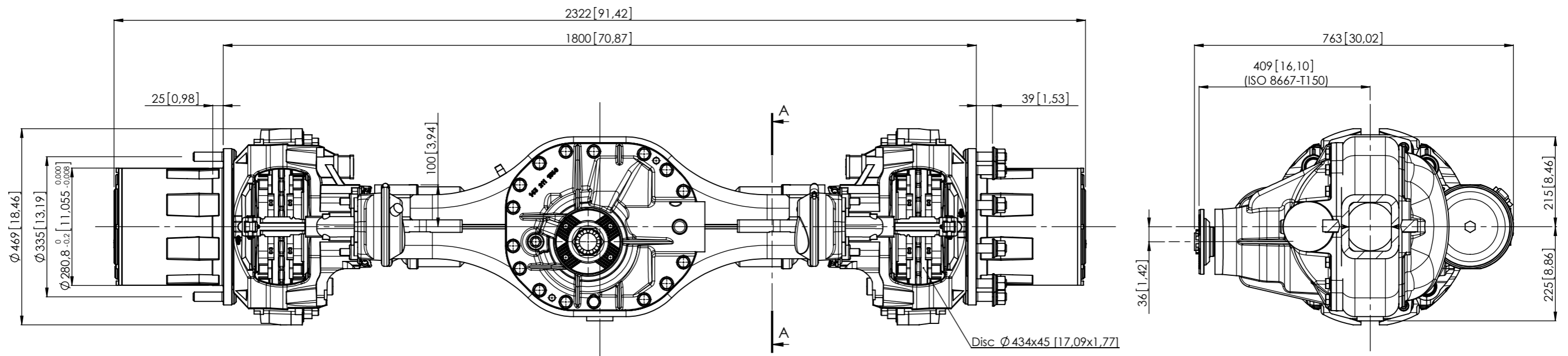
LOW SPEED, (CONTAINER HANDLING) RIGID DRIVE AXLE, SRDP32P

GAWR	32 000 kg [70,000 Lb.]
GCWR	90 000 kg [198,500 Lb.]
Axle Type	Hypoid type Differential Planetary Wheel End Reduction, 4-planet Carrier
Brakes	
Type	Dry Disc, Ventilated
Size	Ø434 mm [17,1 Inch] x 45 mm [1,8 Inch] Thickness
Chamber	24 Square Inch
Housing	Fabricated Steel, Cross Section 153 mm [6,0 Inch] Height x 137 mm [5,4 Inch]. Width, Center Bowl
Wheel End	10-studs on 335 mm [13,2 Inch] BC, 280.8 mm [11,1 Inch]
Pilot Diameter	Minimum Wheel Size 22.5 Inch
Wheel offset (Optimal)	Equal Offset on Outer and Inner Wheel
Drive Flange	ISO8667-T180
Final Drive Ratios	10.59, 12.28, 16.41 and 20.57
Tracks Available (Over Wheel Mounting Faces)	1800 mm [70.9 Inch]
Lubrication	
Type	API GL-5
Capacity	Total 21 liters [45 pints]
Weight-Dry	830 kg [1830 Lb.]

All ratings are nominal. Actual capacities determined based upon review of application data by Sisu Axles Inc.

OPTIONS:	Spring Seats	Wheel Stud Length
	Wheel Nuts	Brake Chambers
	Input Drive Flange	Axle differential Lock
	ABS Provision	Amount of Brake Calibers
	Top Coating	

Other options may be available. Contact Sisu Axles sales for more information.



SISU AXLES <small>THIS DRAWING AND THE INFORMATION CONTAINED HEREIN IS PROPRIETARY TO SISU AXLES INC. IT SHALL NOT BE REPRODUCED, COPIED OR DISCLOSED IN WHOLE OR IN PART, OR USED FOR MANUFACTURE OF FOR OTHER PURPOSE WITHOUT THE WRITTEN PERMISSION OF SISU AXLES INC.</small>	Scale 1:10 DO NOT SCALE DRAWING	Material	Product SRDP32P	
	Dimensions mm	Drawn MARE	Date 28.01.2008	Approved ILJU
		Title Dimension drawing		Weight kg
		Rigid		
		Drive Drawing n:o	Rev.	Sheet
		M543-055-0028	C	1/1
				A3

C	Remodeled and redrawn	NIAH	11.06.2010	JALI	17.06.2010
REV.	DESCRIPTION	CHANGED	CHANGED DATE	APPROVED	APPROVED DATE