

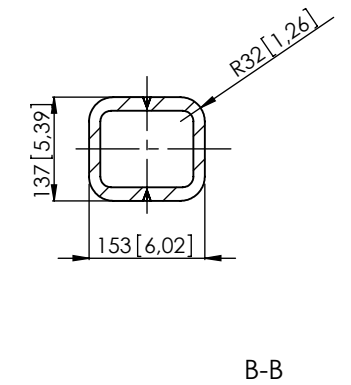
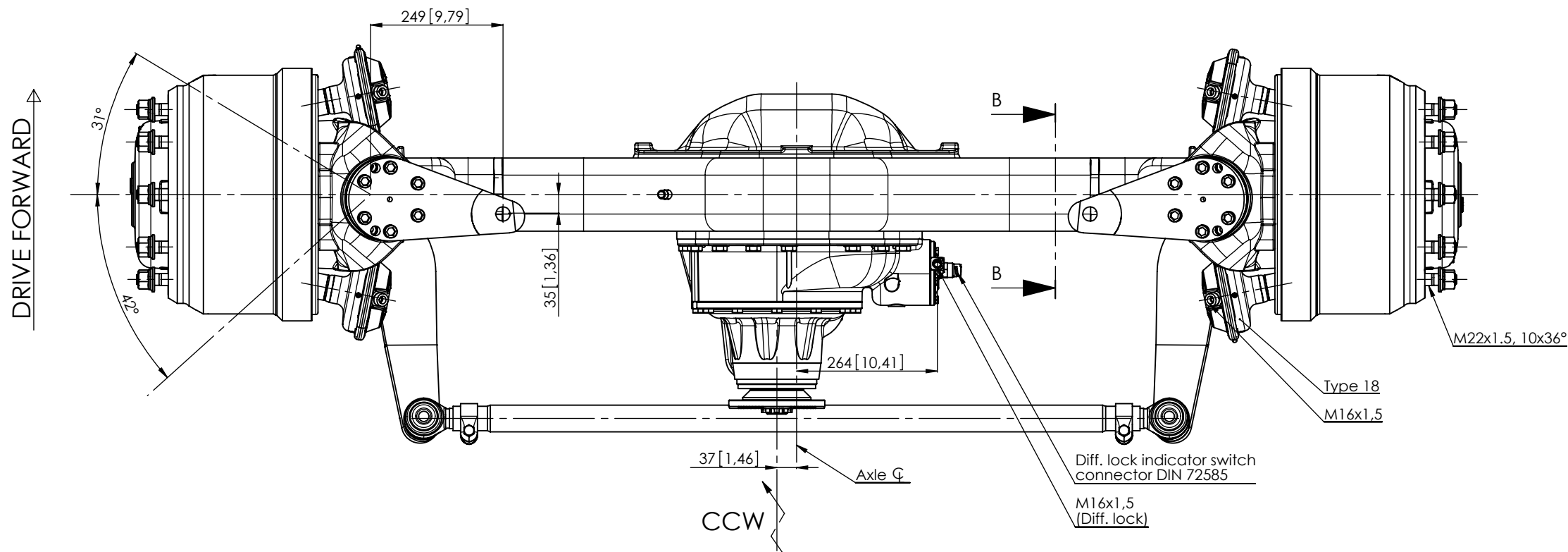
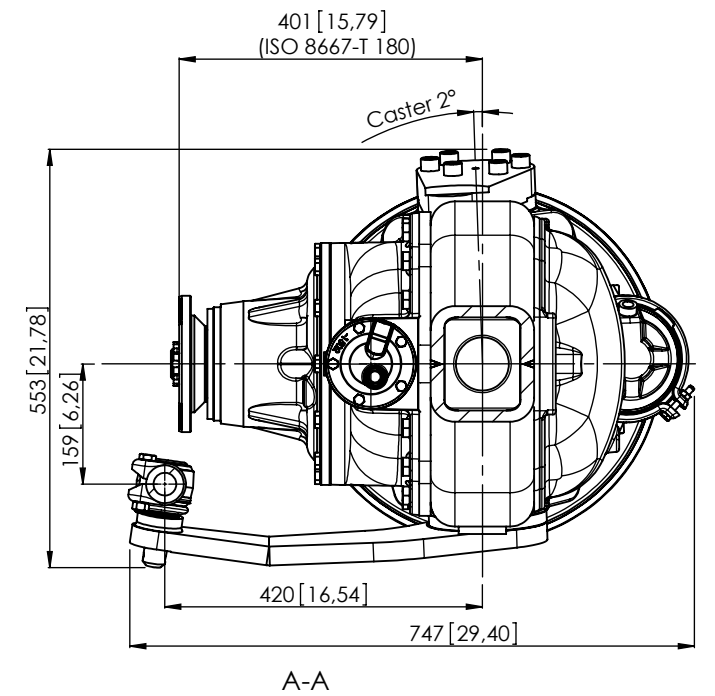
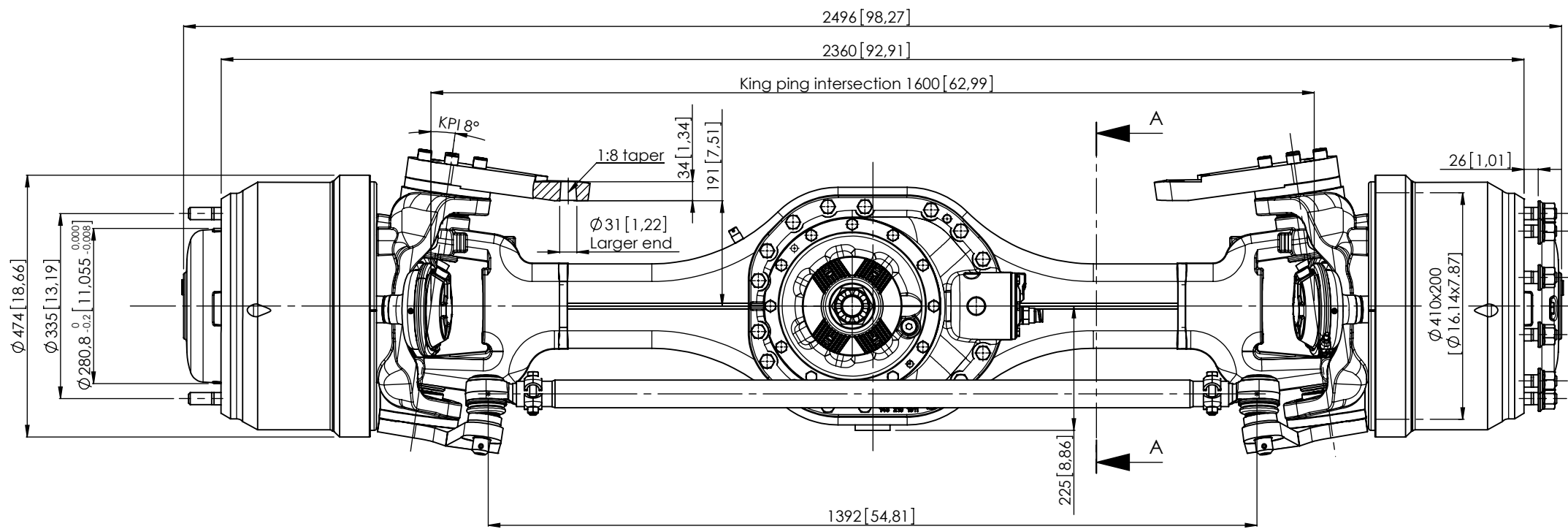
HIGH SPEED, (TRUCK) DRIVE STEER AXLE, FSDP14G

GAWR	14 000 kg [31,000 Lb.]
GCWR	75 000 kg [165,000 Lb.]
Axle Type	Spiral Bevel Center Differential Planetary Wheel End Reduction, 5-planet Carrier
Brakes	
Type	Wedge Duplex
Size	Ø410 mm [16,1 Inch] x 200 mm [7,9 Inch]
Chamber	18 Square Inch
Certification	FMVSS 121
Steering	
KPI	8°
Caster	2°
Camber	0°
Turn angle	42°
Housing	Fabricated Steel, Cross Section 153 mm [6,0 Inch] Height x 137 mm [5,4 Inch] Width, Center Bowl
Wheel End	10-studs on 335 mm [13,2 Inch] BC, 280.8 mm [11,06 Inch] Pilot Diameter. Minimum Wheel Size 20 Inch
Wheel offset (optimal)	Inset 130...165 mm [5.1...6.5 Inch]
Drive Flange	ISO8667-T180
Final Drive Ratios	4.65, 5.54, 6.36, 7.01 and 8.79
Tracks Available (Over wheel mounting faces)	2360 mm [92.9 Inch] or 2580 mm [101.6 Inch]
Lubrication	
Type	API GL-5
Capacity (estimated)	Total 21 liters [44 pints]
Weight-Dry (for Track 2360 mm)	915 kg [2,017 Lb.]

All ratings are nominal. Actual capacities determined based upon review of application data by Sisu Axles Inc.

OPTIONS:	Spring Seats	Wheel Stud Length
	Wheel Nuts	Brake Chambers
	Input drive flanges	Axle Differential Lock
	ABS Provision	Steering Arm Configurations
	CTI Provision	Top Coating

Other options may be available. Contact Sisu Axles sales for more information.



SISU AXLES	Scale	1:10			Material				Product	FSDP14G	
	DO NOT SCALE DRAWING	Drawn	JALI	Date	11.04.2007	Approved			Weight	kg	
THIS DRAWING AND THE INFORMATION CONTAINED HEREIN IS PROPRIETARY TO SISU AXLES INC. IT SHALL NOT BE REPRODUCED, COPIED OR DISCLOSED IN WHOLE OR IN PART, OR USED FOR MANUFACTURE OF FOR OTHER PURPOSE WITHOUT THE WRITTEN PERMISSION OF SISU AXLES INC.	Dimensions	mm			Title	Dimension drawing					
					Steering						
					Drive				Rev.	Sheet	Drawing size
					Drawing n:o	M541-040-0028			A	1/1	A3

REV.	DESCRIPTION	NIAH	15.04.2010	JALI	12.05.2010
		CHANGED	CHANGED DATE	APPROVED	APPROVED DATE