

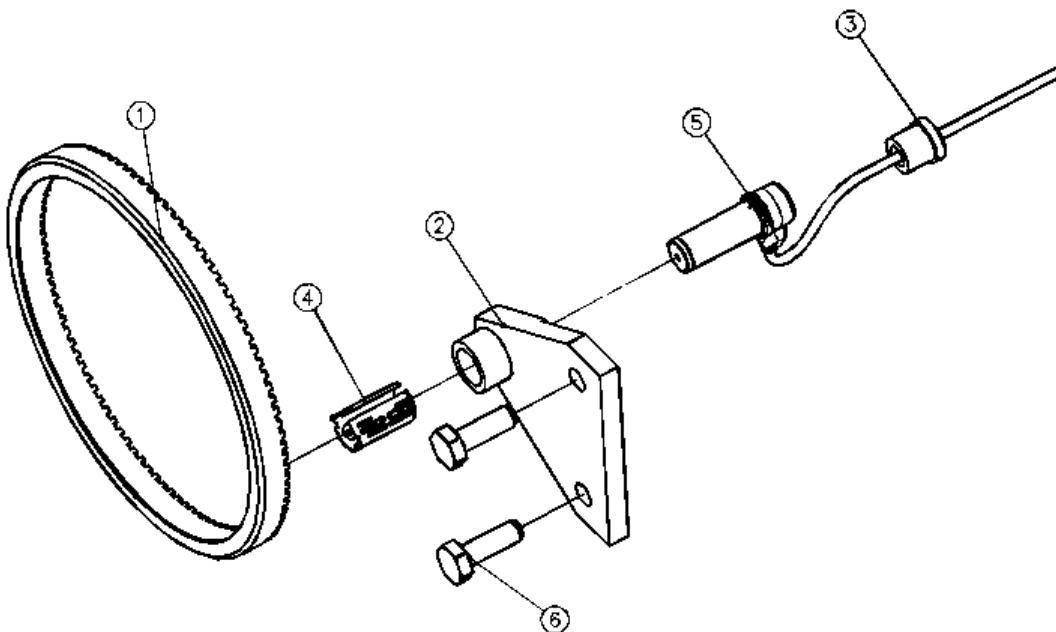
INSTALLATION OF ABS PARTS IN RIGID REAR AXLES

1. Installation of the ABS-sensor (See Picture 1.):

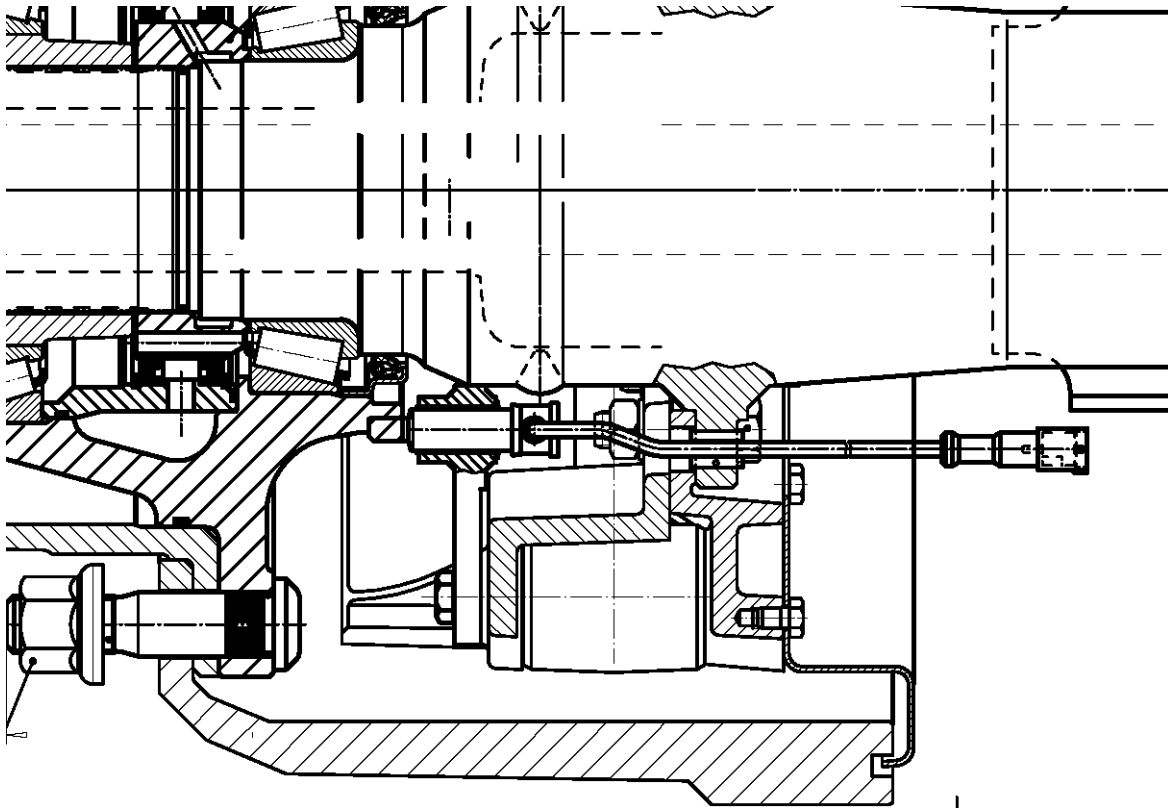
- Remove original shorter anchor pin screws
- Apply thread securing medium (Loctite 245) to the anchor pin screw (6) threads.
- Mount ABS sensor bracket(2) with two screws (6) and tighten to a torque of 41 Nm.
- Install ABS bush (4). Note installation direction.
- Grease metal surface of ABS-sensor with DUOTEMPI PMY 45 mounting paste.
- Push ABS-sensor (5) inside bush.

2. Installation of ABS-ring and adjustment of the ABS sensor (See Picture 1.):

- Clean the tone ring (1) shoulder of the wheel hub.
- Heat the tone-ring with induction heater.
- Press the tone ring on hub shoulder.
- Install hub and adjust hub bearings.
- Push ABS-sensor (5) against tone ring.
- By rotating hub couple of turns ABS-sensor finds its location.
- Install rubber bushing (3) securing ABS sensor wire.



Picture 1. ABS Parts



Picture 2. Principle drawing of ABS sensor positioning and wire routing

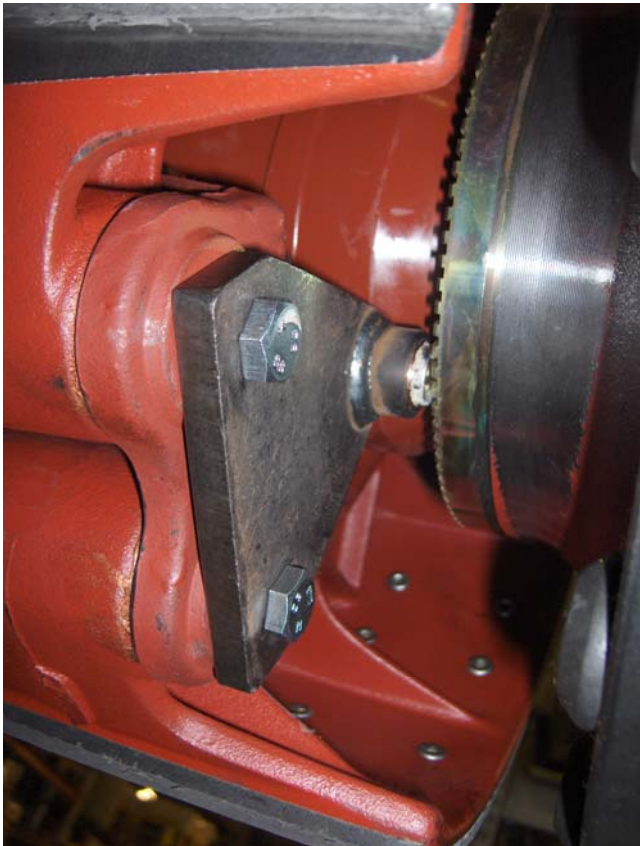
Please see the following 4 photos showing the bracket mounting, wire routing and tone ring installed to the wheel hub.



Picture 3.



Picture 4.



Picture 5.



Picture 6.

Re-adjustment for the ABS sensor (See Pictures):

1. Remove the rubber bushing securing the ABS sensor wire.
2. Use suitable screwdriver and set it through the hole for the ABS sensor wire and locate the ABS sensor with the tip of the screwdriver.
3. Push the ABS sensor against the tone ring .
4. By rotating the hub couple of turns ABS-sensor finds its location
5. install the rubber bushing securing the ABS sensor wire.

Sisu Axles, Inc.
Technical Support
Autotehtaan tie 1
PO Box 189
FIN-13101 Hämeenlinna
Finland
Phone +358 204 55 2999
Fax +358 204 55 2900