

**HIGH SPEED, (TRUCK) NON-DRIVE STEER AXLE, FSND12G**

<b>GAWR</b>	12 000 kg [26,500 Lb.]
<b>Axle Type</b>	Beam Type, Fabricated Steel
<b>Brakes</b>	
Type	Wedge Duplex
Size	Ø410 mm [16,1 Inch] x 200 mm [7,9 Inch]
Chamber	18 Square Inch
Certification	FMVSS 121
<b>Steering</b>	
KPI	8°
Caster	2°
Camber	0°
Turn angle	42°
<b>Housing</b>	Fabricated Steel, Cross Section 153 mm [6,0 Inch] Height x 137 mm [5,4 Inch] Width
<b>Wheel End</b>	10-studs on 335 mm [13,2 Inch] BC, 280.8 mm [11,06 Inch] Pilot Diameter. Minimum Wheel Size 20 Inch
<b>Wheel offset (optimal)</b>	Inset 130...165 mm [5.1...6.5 Inch]
<b>Tracks Available (Over wheel mounting faces)</b>	2390 mm [94.1 Inch] or 2580 mm [101.6 Inch]
<b>Lubrication</b>	
Type	Oil lubrication for bearings
Capacity (estimated)	Total 3.6 liters [6,3 pints]
<b>Weight-Dry</b>	600-650 kg [1,320-1430 Lb.]

All ratings are nominal. Actual capacities determined based upon review of application data by Sisu Axles Inc.

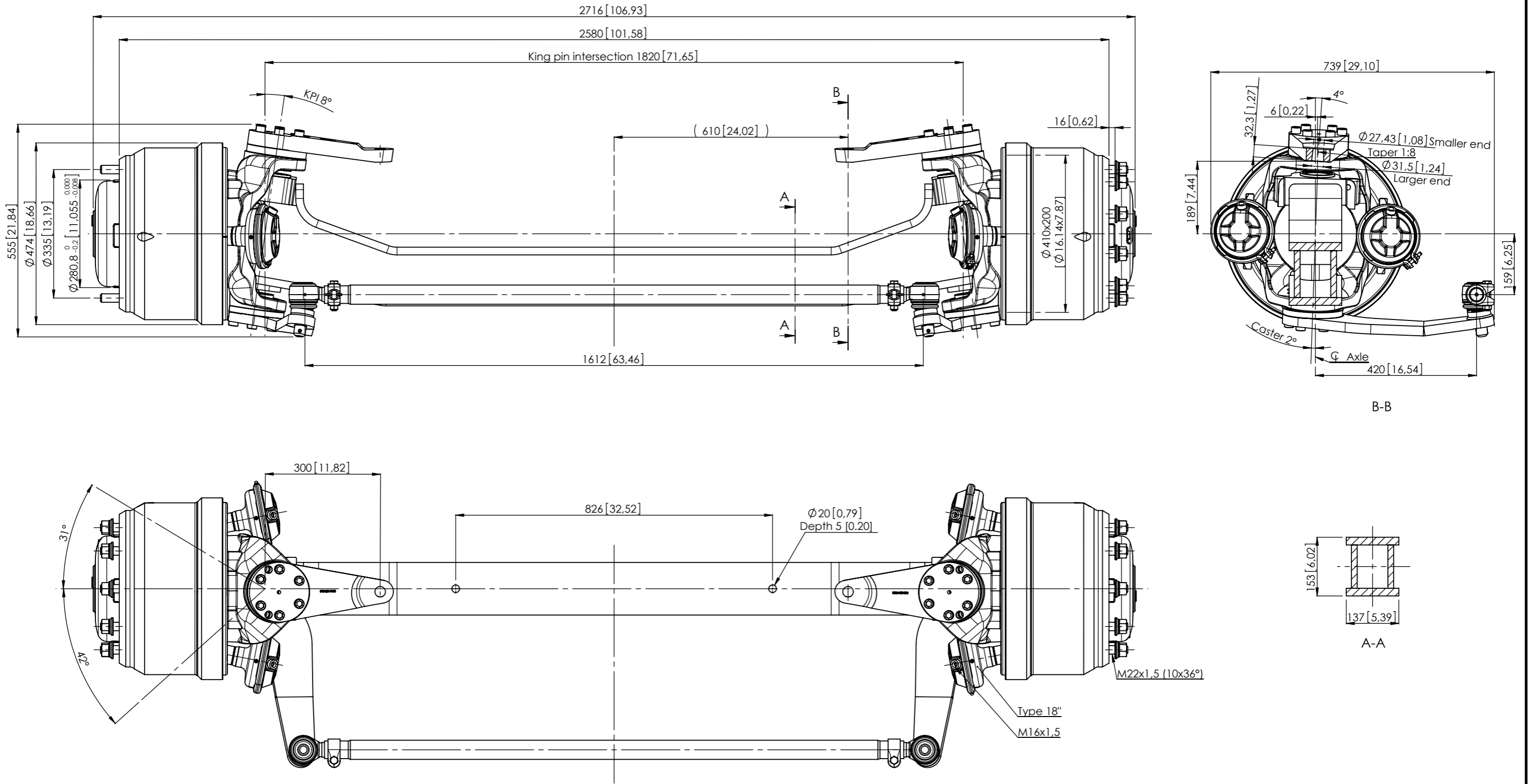
---

<b>OPTIONS:</b>	Spring Seats	Wheel Stud Length
	Wheel Nuts	Brake Chambers
	ABS Provision	Steering Arm Configurations
	CTI Provision	Top Coating

---

Other options may be available. Contact Sisu Axles sales for more information.

---



<b>SISU AXLES</b> <small>THIS DRAWING AND THE INFORMATION CONTAINED HEREIN IS PROPRIETARY TO SISU AXLES INC. IT SHALL NOT BE REPRODUCED, COPIED OR DISCLOSED IN WHOLE OR IN PART, OR USED FOR MANUFACTURE OF FOR OTHER PURPOSE WITHOUT THE WRITTEN PERMISSION OF SISU AXLES INC.</small>	Scale	Material			Product
	1:10 DO NOT SCALE DRAWING	Drawn	Date	Approved	Date
	Dimensions mm	NIAH	12.05.2010	SIEI	26.05.2010
		Title	Dimension drawing		
		Steering			kg
		Non driven			
		Drawing n:o			
		M540-039-0021			
		Rev.	Sheet	Drawing size	
		-	1/1	A3	

REV.	DESCRIPTION	CHANGED	CHANGED DATE	APPROVED	APPROVED DATE