

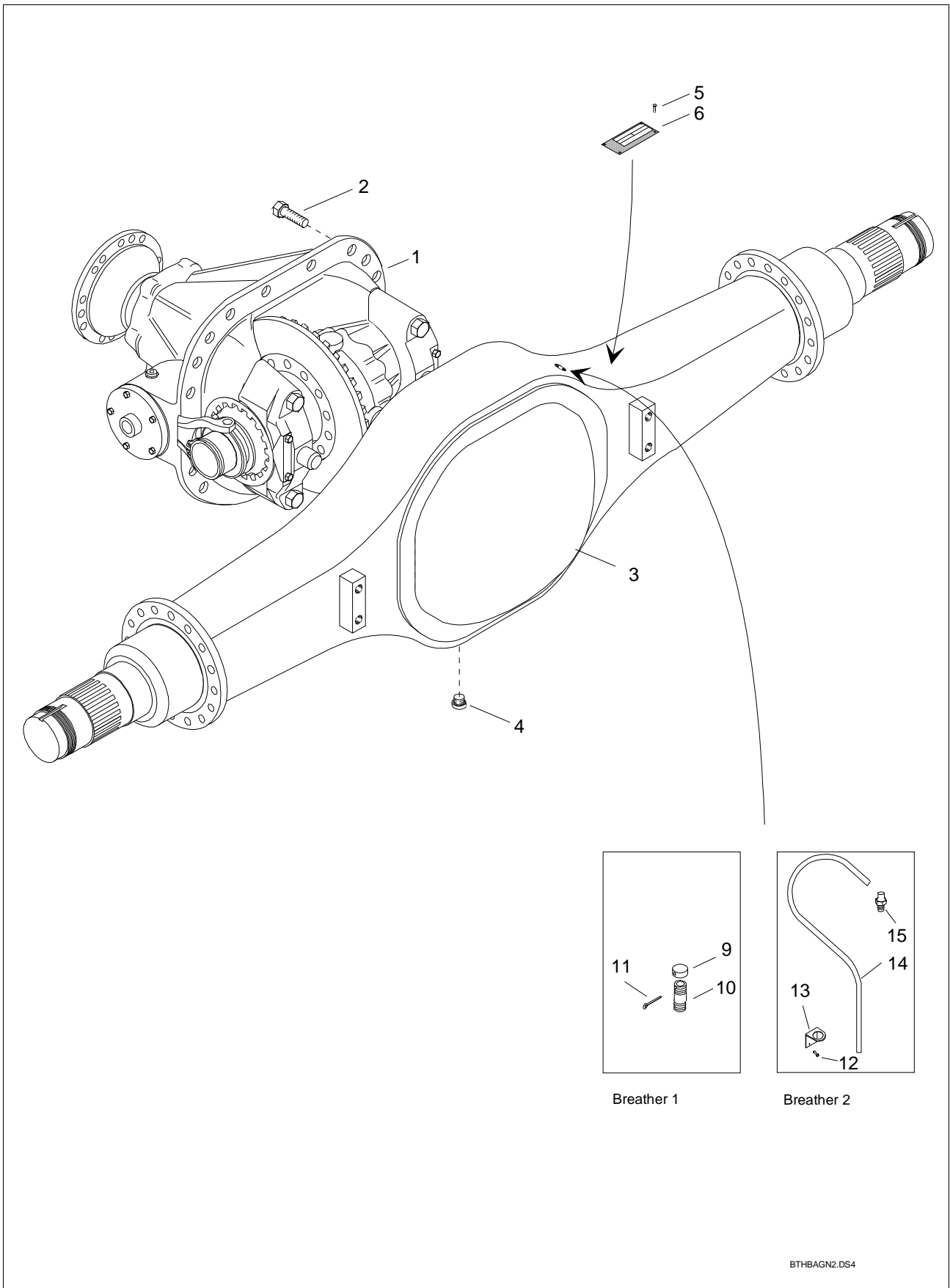
# **SISU AXLES**

## **SPARE PARTS BOOK**

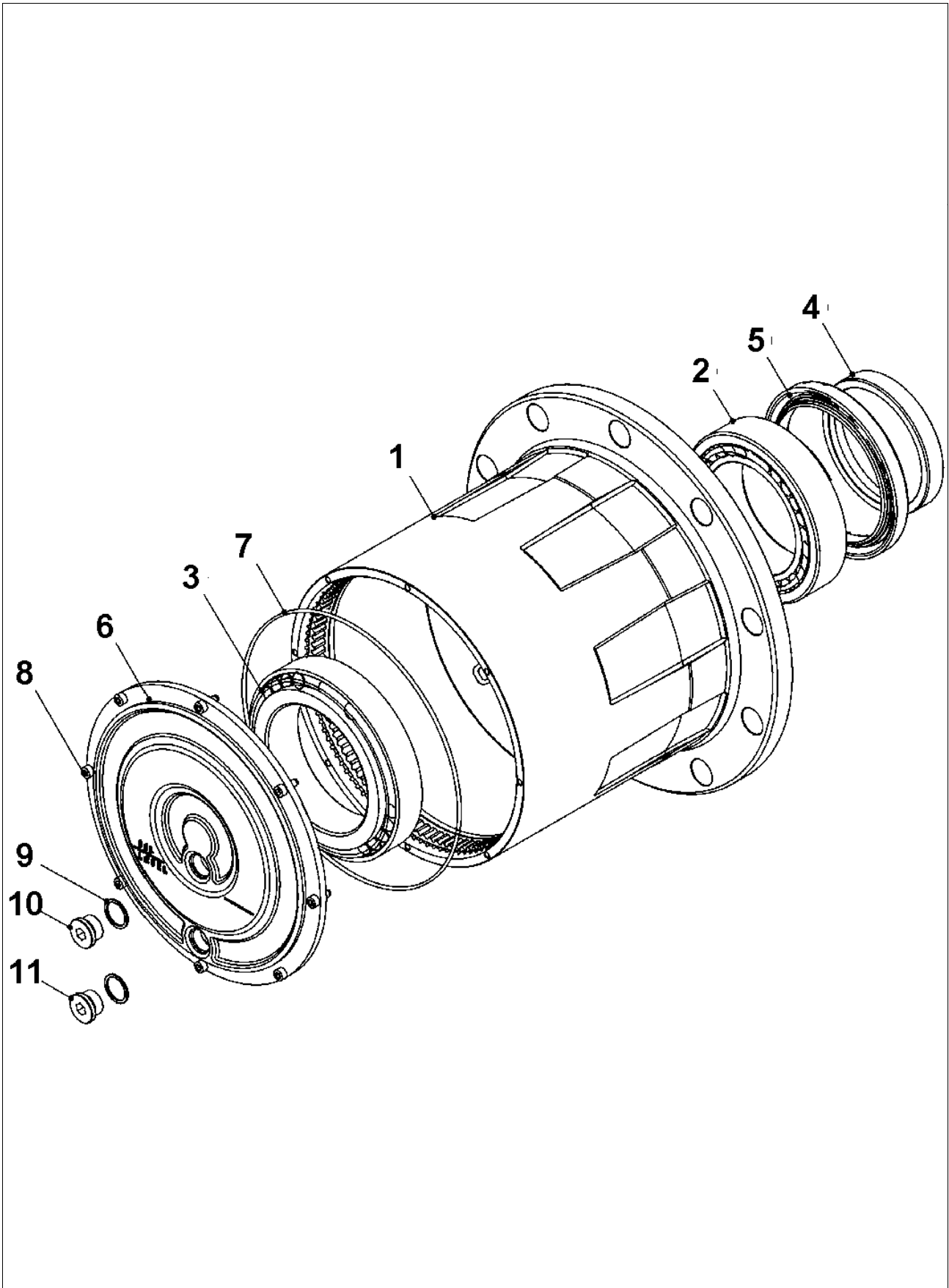
### **Industrial Axle SRDP-30-S**

**Since S/N 152241 (7/2005)  
Book No. 349 (6/2007)**

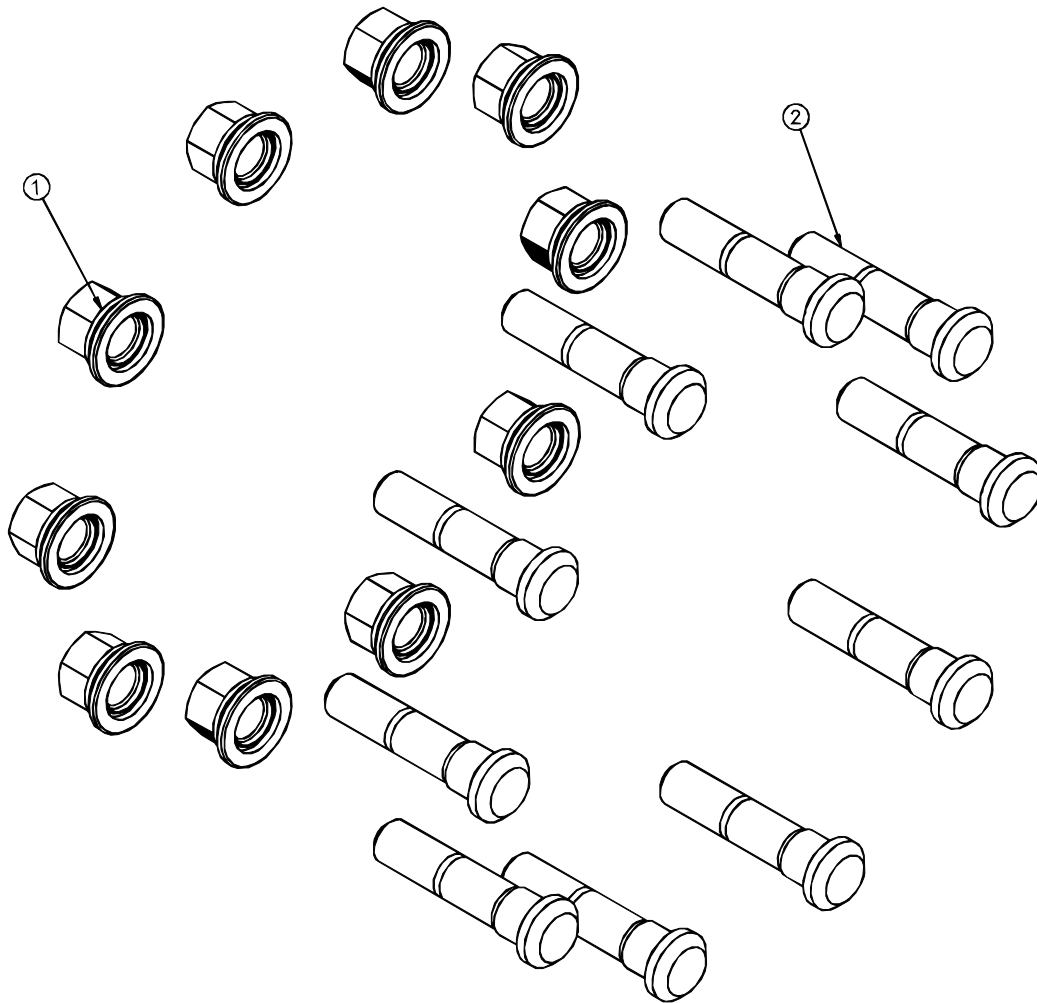
Sisu Axles, Inc.  
Autotehtaan tie 1  
PO Box 189  
FIN-13101 Hämeenlinna  
Finland  
Phone +358 204 55 2999  
Fax +358 204 55 2900



Item	Qty.	Order no.	Description	Note
1	1	<b>543-203-9011</b>	Diff. Carrier Assembly	FR=10.59, HS1700/1800, w/o diff lock
1	1	<b>543-203-9079</b>	Diff. Carrier Assembly	FR=12.28, Yoke1710, w/o diff lock
2	16	<b>90303-16407</b>	Hex Screw	M16x40, 10.9
3	1	<b>543-117-0400</b>	Axle Housing	1800 mm track, s-cam brackets in bowl side
3	1	<b>543-117-1200</b>	Axle Housing	2040 mm track, s-cam brackets in diff side
4	1	<b>90873-22109</b>	Diff. Carrier Assembly	M22x1.5 - DIN908, Allen head, magnetic
4	1	<b>91201-22150</b>	Seal ring	D22/27x1.5 Cu
5	4	<b>90111-29054</b>	Rivet	D2.9x5
6	1	<b>591600-20823</b>	Name plate	
9	1	<b>179-842-0000</b>	Breather Cover	
10	1	<b>179-841-1000</b>	Breather pipe	
11	1	<b>90621-32253</b>	Split pin	3.2x25

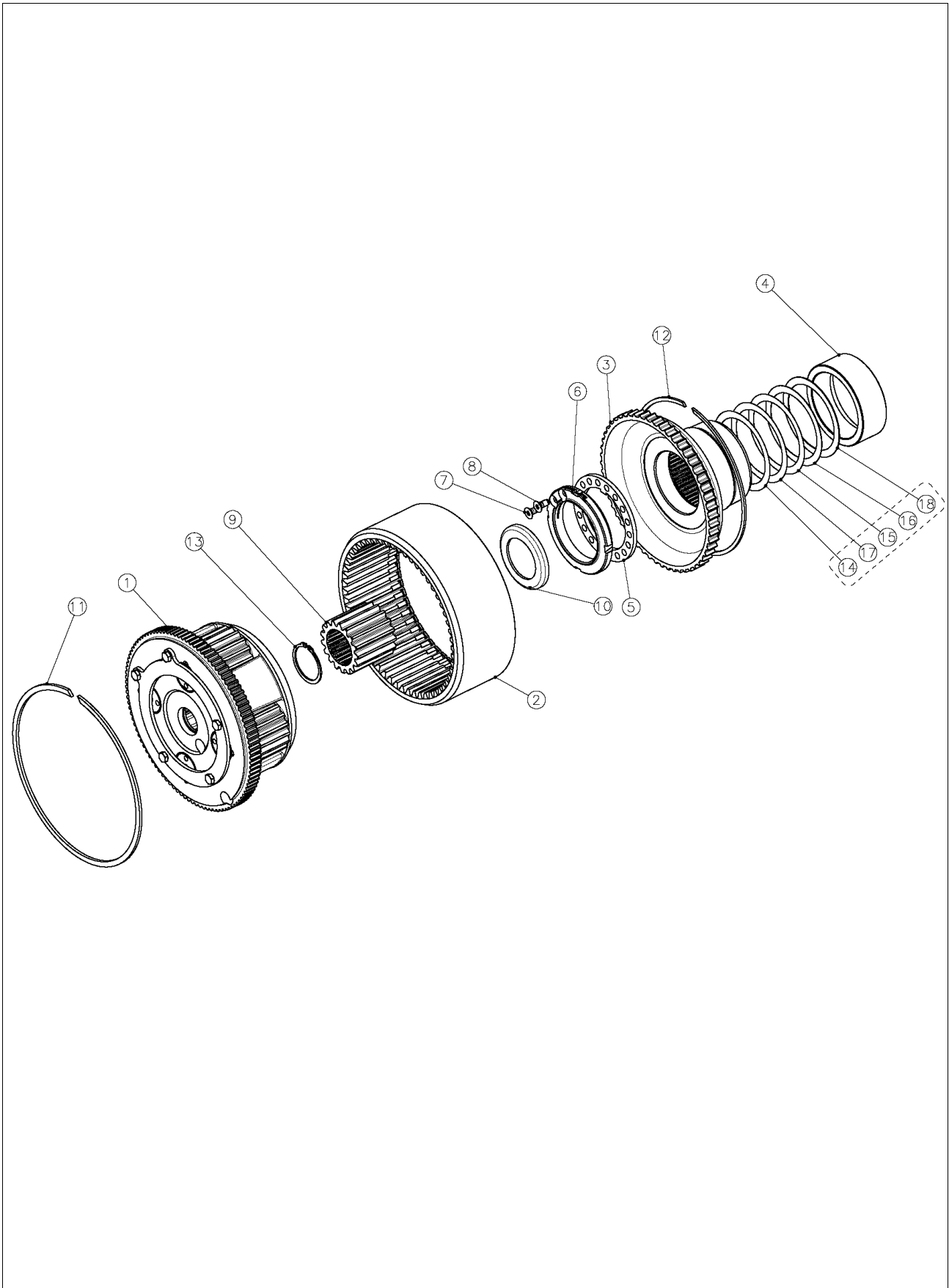


Item	Qty.	Order no.	Description	Note
1	2	<b>543-441-1000</b>	Wheel hub	
2	2	<b>91744-01051</b>	T. Roller bearing	
3	2	<b>91744-01201</b>	T. Roller bearing	
4	2	<b>543-415-0600</b>	Spacer ring	D111/127x19
5	2	<b>591122-12702</b>	Shaft seal	D127/160
6	2	<b>541-422-1200</b>	Planetary gear cover	
7	2	<b>91109-50030</b>	O-ring	D249.5x3
8	16	<b>90313-06168</b>	Allen Screw	M6x16
9	4	<b>91201-22150</b>	Seal ring	D22/27x1.5 Cu
10	2	<b>90873-22103</b>	Plug	M22x1.5 - DIN908, Allen head
11	2	<b>90873-22109</b>	Diff. Carrier Assembly	M22x1.5 - DIN908, Allen head, magnetic



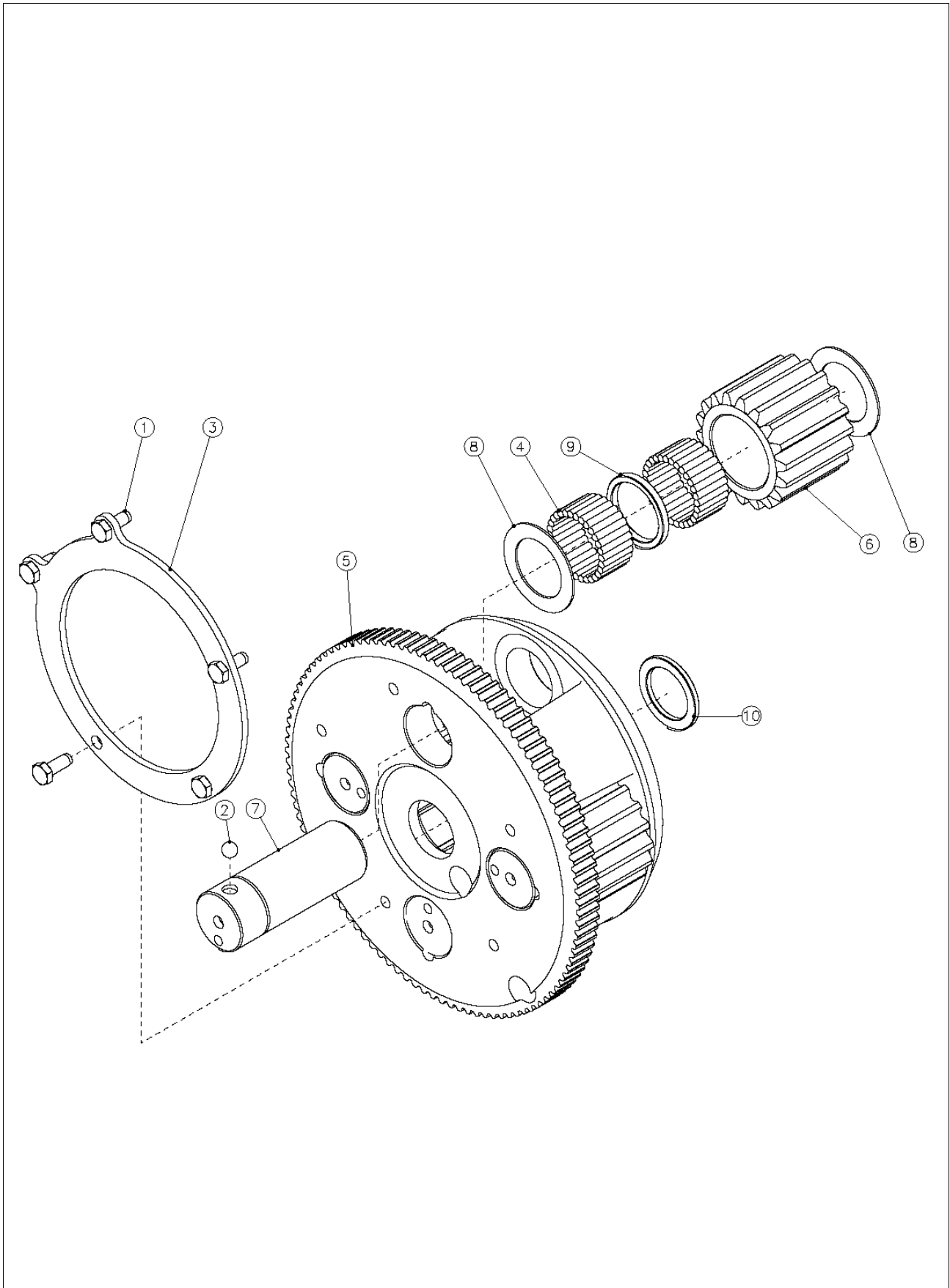
M402-036.DS4

Item	Qty.	Order no.	Description	Note
1	20	<b>540-916-1610</b>	Wheel nut	M22x1.5
2	20	<b>140-911-2510</b>	Wheel bolt	L=93 mm, 12.9
2	20	<b>540-911-3500</b>	Wheel bolt	L=103 mm, 12.9

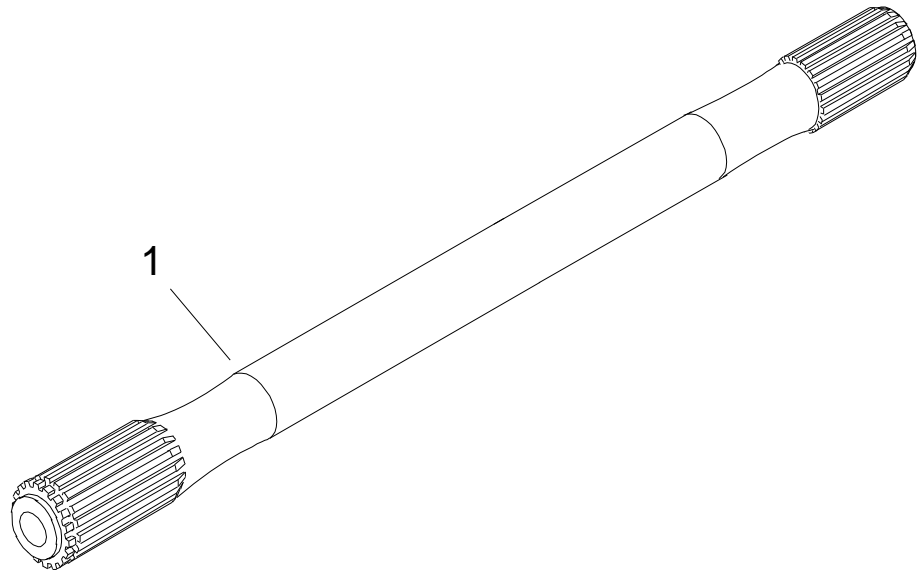




Item	Qty.	Order no.	Description	Note
1	2	<b>141-404-0081</b>	Planetary gear	i=4.235
2	2	<b>135-261-1900</b>	Ring gear	
3	2	<b>535-271-0401</b>	Ring gear hub	
4	2	<b>543-416-0500</b>	Spacer ring	D95/117x42
5	2	<b>143-418-0510</b>	Lock plate	S=6 mm, punched
6	2	<b>599-290-8004</b>	Lock Nut	M90x2, s=16 mm
7	2	<b>590319-08126</b>	Allen Screw	M8x12M8x12, Cone head
8	2	<b>590319-08186</b>	Allen Screw	M8x18, Cone head
9	2	<b>135-211-1100</b>	Sun gear	Z17, spline D52/Z24
10	2	<b>090-721-8500</b>	Protective cup	D60/85x10
11	2	<b>91720-26001</b>	Retainer ring	D265x4.2
12	2	<b>91720-22501</b>	Retainer ring	D225x3
13	2	<b>91711-05200</b>	Retainer ring	D52x2
14	ar	<b>590731-09520</b>	Shim	s= 0.2 mm
15	ar	<b>590731-09530</b>	Shim	s= 0.3 mm
16	ar	<b>590731-09550</b>	Shim	s= 0.5 mm
17	ar	<b>590732-09510</b>	Shim	s= 1.0 mm

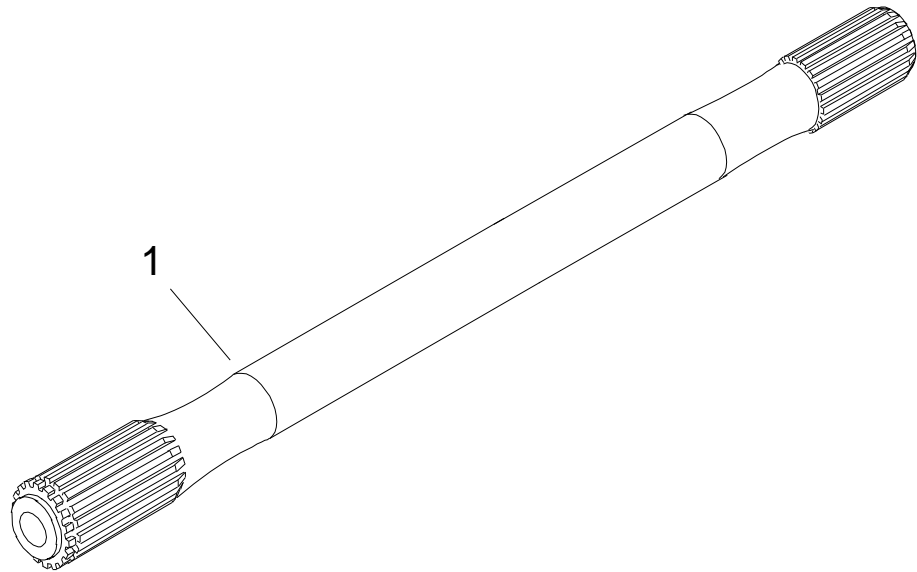


Item	Qty.	Order no.	Description	Note
1	5	<b>90303-08203</b>	Hex Screw	M8x20
2	4	<b>91375-10000</b>	Lock Ball	D10
3	1	<b>135-259-0210</b>	Lock plate	
4	240	<b>090-005-0530</b>	Needle roller	D4.762x28.5
5	1	<b>141-441-0900</b>	Planet carrier	
6	4	<b>135-241-1100</b>	Planet gear	
7	4	<b>135-251-1100</b>	Planet gear shaft	
8	8	<b>090-354-1050</b>	Spacer plate	
9	4	<b>090-354-1040</b>	Spacer ring	
10	1	<b>141-582-0000</b>	Thrust Washer	



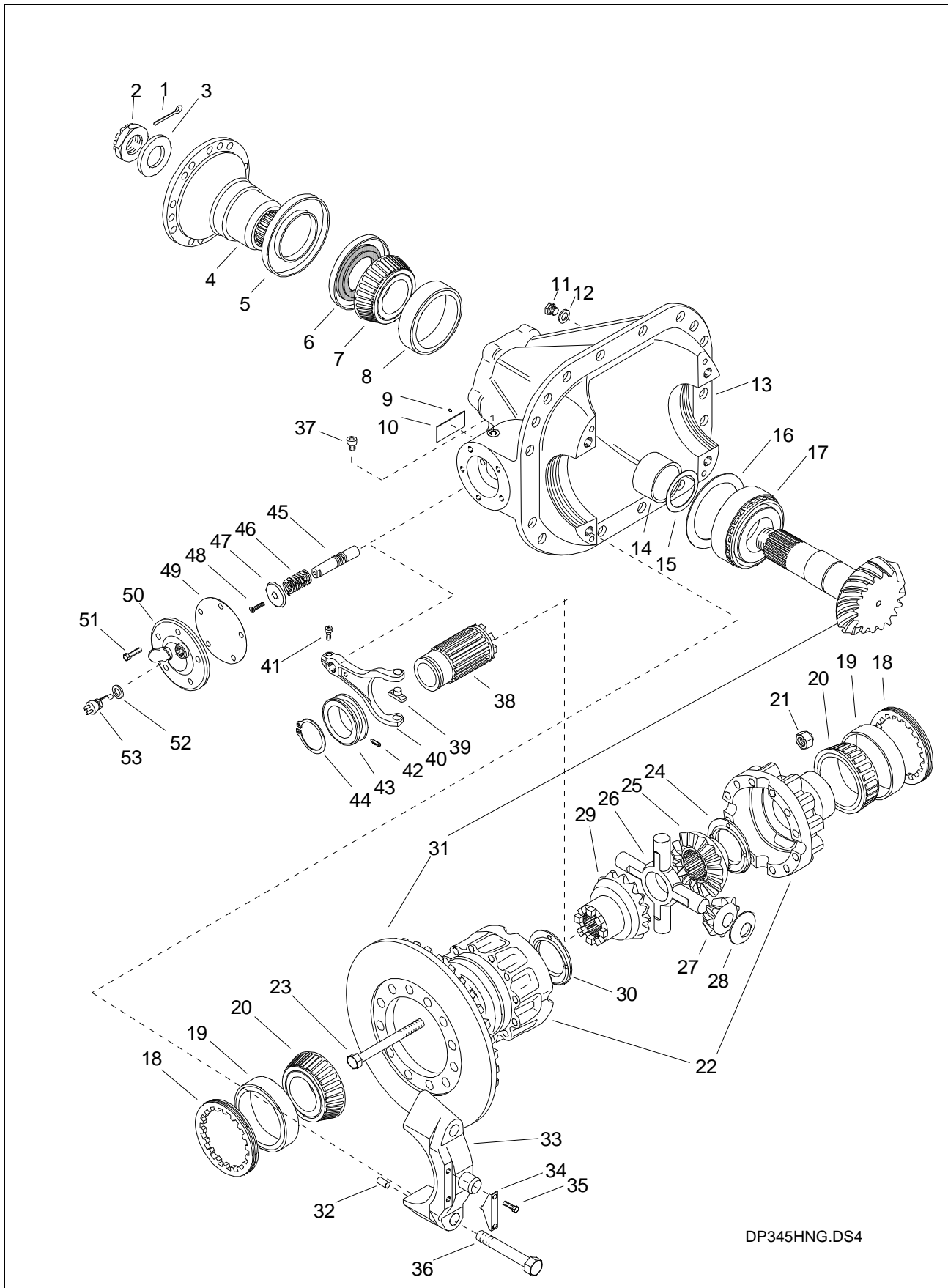
M306-097.DS4

Item	Qty.	Order no.	Description	Note
1	1	<b>543-512-0400</b>	Axle Shaft	RH, L=1090, D55Z26/D52Z24
1	1	<b>543-512-0410</b>	Axle Shaft	LH, L=1140, D55Z26/D52Z24



M306-097.DS4

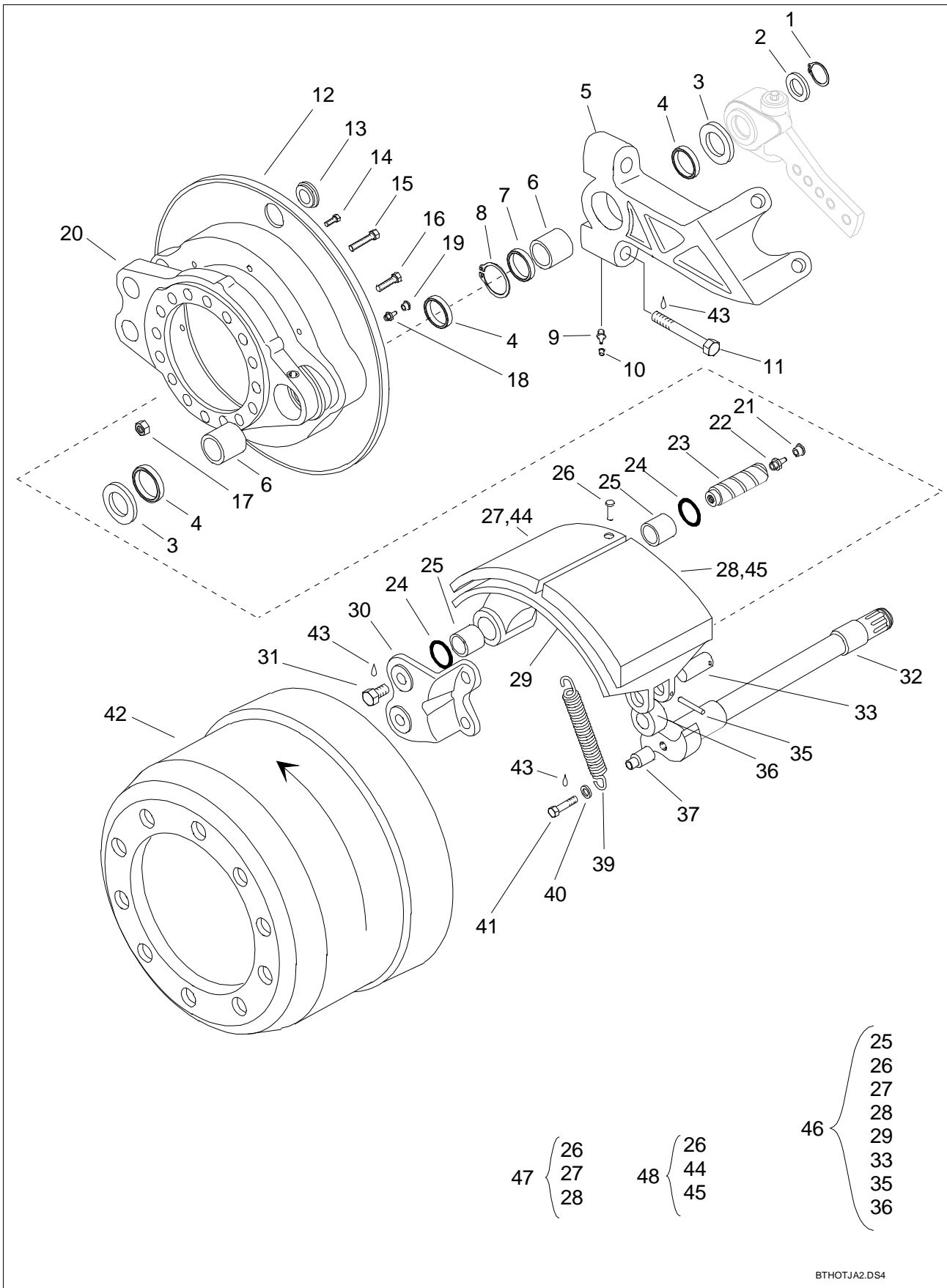
Item	Qty.	Order no.	Description	Note
1	0	<b>543-512-0500</b>	Axle Shaft	LH, L=1180, D55Z26/D52Z24
1	1	<b>543-512-0510</b>	Axle Shaft	RH, L=1260, D55Z26/D52Z24



DP345HNG.DS4

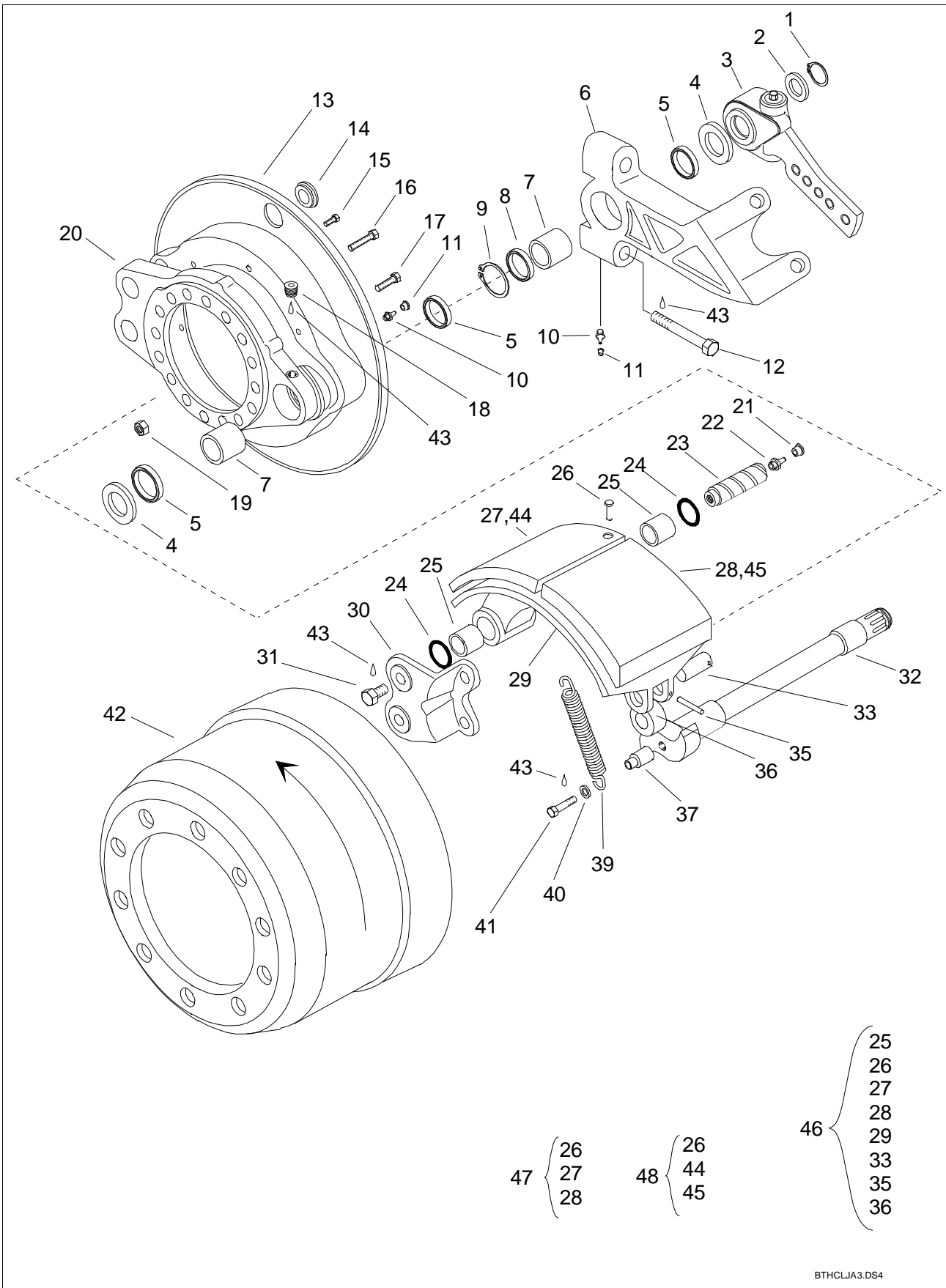


Item	Qty.	Order no.	Description	Note
1	1	90621-63633	Split pin	6.3x63
2	1	90546-42653	Nut	M42x1.5
3	1	90705-43069	washer	D43/80x6
4	1	138-918-0400	Flange	HS1700-1800
4	1	138-918-0401	Flange	ISO 8667 - T180
4	1	138-947-0101	Flange	DIN180/HS1600
4	1	538-916-3401	Flange	ISO 8667 - T150
4	1	538-967-0100	End Yoke	Yoke 1710
5	1	090-711-9000	Shield	
6	1	591122-08508	Shaft seal	D85/140x13/20 Cassette seal
7	1	090-110-6740	Bearing inner race	
8	1	090-121-3700	Bearing outer race	
9	4	90111-29054	Rivet	D2.9x5
10	1	591600-20823	Name plate	
11	1	90871-22193	Plug screw	M22x1.5, hex head
12	1	91201-22150	Seal ring	D22/27x1.5 Cu
13	1	143-210-1411	Differential Carrier	Without differential lock (inc. pos. 32, 33 & 36)
13	1	143-210-1421	Differential Carrier	With differential lock (inc. pos. 32, 33 & 36)
14	ar	099-557-1026	Spacer ring	(l=53.70)
14	ar	099-557-1027	Spacer ring	(l=53.72)
14	ar	099-557-1028	Spacer ring	(l=53.74)
14	ar	099-557-1029	Spacer ring	(l=53.76)
14	ar	099-557-1030	Spacer ring	(l=53.78)
15	ar	099-517-1000	Shim	(s=0.30)
15	ar	099-517-1001	Shim	(s=0.40)
15	ar	099-517-1002	Shim	(s=0.50)
16	ar	90731-12010	Shim	(s=0.1)
16	ar	90731-12020	Shim	(s=0.2)
16	ar	90731-12050	Shim	(s=0.5)
16	ar	90732-12010	Shim	(s=1.0)
17	1	090-050-7001	T. Roller bearing	
18	2	143-226-0012	Adjusting nut	D149
19	2	090-121-4700	Bearing outer race	
20	2	090-110-9000	Bearing inner race	
21	12	90556-16247	Nut	M16x1.5
22	1	143-310-3811	Diff. case assy	FR=>14.59, w/diff lock
22	1	543-310-4811	Diff. case assy	FR<14.59, w/diff lock
22	1	543-310-4821	Diff. case assy	FR=>14.59, w/o diff lock
22	1	543-310-4831	Diff. case assy	FR<14.59, w/o diff lock
23	12	599-116-3250	Hex Screw	M16x1.5, L= 207, 12.9, FR < 14.59
23	12	90321-16538	Hex Screw	M16x1.5, L=160, 12.9, FR => 14.59
24	1	090-357-5000	Thrust washer	D75/111x3
25	1	543-351-4210	Side gear	D55/Z26
26	1	143-331-0603	Spider	
27	4	143-341-0700	Pinion gear	
28	4	143-345-0400	Thrust washer	D29/65x1.5
29	1	543-351-4310	Side gear	D55/Z26, W/diff lock
29	1	543-351-4610	Side gear	D55/Z26, W/o diff lock
30	1	090-359-7000	Thrust washer	D97/127x3
31	1	543-240-5911	Ring and pinion gear set	12/30, FR 10.59, LH
31	1	543-240-5921	Ring and pinion gear set	8/31, FR 16.41, LH
31	1	543-240-5931	Ring and pinion gear set	7/34, FR 20.57, LH
31	1	543-240-5971	Ring and pinion gear set	10/29, FR 12.28, LH
32	4	590604-08141	Pin	Ø8x14
33		143-214-2180	Bearing Case Half	Not Serviced Separately
34	2	143-227-0610	Lock plate	
35	4	90303-08103	Hex Screw	M8x10
36	4	90301-20377	Hex Screw	M20x130



BTHOTJA2.DS4

Item	Qty.	Order no.	Description	Note
1	2	91712-02800	Retainer ring	D28x2
2	2	90700-29001	Spacer plate	D29/50x2
3	4	91726-43065	Support ring	D43/65x3
4	6	91122-04201	Shaft seal	D42/55x8
5	1	146-224-2510	Chamber bracket	LH, 13 deg.
5	1	146-224-2600	Chamber bracket	RH, 13 deg.
6	4	590-314-2062	Sleeve	D42/48x36
7	2	91122-04202	Shaft seal	D42/55x7
8	2	91720-05500	Retainer ring	D55x1.5
9	2	91402-10003	Grease nipple	M10x1, Straight
10	2	91421-06060	Shield hat	
11	4	90311-16708	Allen Screw	M16x70
12	2	146-131-2110	Dust Shield	If installed, for 180 mm brakes
13	4	095-553-2000	Shield plug	D33/44 (if dust shield installed)
14	14	90303-08123	Hex Screw	M8x12, for dust shield (if installed)
15	4	90301-14558	Hex Screw	M14x55
16	24	90169-01401	Hex Screw	M14x45
17	28	90550-14227	Nut	M14 self locking
18	2	91402-10453	Grease nipple	M10x1, 45°
19	2	91421-06060	Shield hat	
20	2	146-111-2610	Brake Bracket	
21	4	91421-06060	Shield hat	
22	4	91402-10003	Grease nipple	M10x1, Straight
23	4	146-341-1200	Anchor bolt	With grease nipple
24	8	91106-36212	O-ring	D36,2x3 Viton
25	8	590-313-2091	Sleeve	D32/36x25
26	96	91501-00819	Rivet	D6.2/12.3x18.3
29	4	146-351-4000	Brake shoe	180 mm, with o-rings
30	2	146-331-0400	Anchor support	
31	4	90303-10203	Hex Screw	M10x20
32	1	146-212-0400	S-cam shaft	RH, SAE-splines, L=463
32	1	146-212-0500	S-cam shaft	LH, SAE-splines, L=463
33	4	146-373-0201	Pin	D25x50
35	4	90602-05450	Spring cotter	D5x40
36	4	146-371-0700	Roller	D25/54x28
37	6	599-601-8900	Bush	D12/20/25x36
39	4	92052-30002	Return spring	D30x165.5
40	6	90705-13023	washer	D13/24x2.5
41	6	90303-12603	Hex Screw	M12x60
42	2	546-311-8111	Brake drum	D410x180 mm
43		95752-10010	Thread locking compound	
46	4	546-306-0052	Brake shoe assy	180 mm, DB5010
47		546-360-3012	Brake lining set	180mm, DB5010, for one wheel



BTHCLJA3.DS4

Item	Qty.	Order no.	Description	Note
1	2	<b>91712-02800</b>	Retainer ring	D28x2
2	2	<b>90700-29001</b>	Spacer plate	D29/50x2
3	2	<b>146-520-0033</b>	Slack adjuster	178 mm, offset 0, manual
4	4	<b>91726-43065</b>	Support ring	D43/65x3
5	6	<b>91122-04201</b>	Shaft seal	D42/55x8
6	1	<b>146-224-2510</b>	Chamber bracket	RH, 13 deg.
6	1	<b>146-224-2600</b>	Chamber bracket	LH, 13 deg.
7	4	<b>590-314-2062</b>	Sleeve	D42/48x36
8	2	<b>91122-04202</b>	Shaft seal	D42/55x7
9	2	<b>91720-05500</b>	Retainer ring	D55x1.5
10	2	<b>91402-10003</b>	Grease nipple	M10x1, Straight
11	2	<b>91421-06060</b>	Shield hat	
12	4	<b>90311-16708</b>	Allen Screw	M16x70
13	2	<b>146-131-2210</b>	Dust Shield	210 mm
14	4	<b>095-553-2000</b>	Shield plug	D33/44
15	14	<b>90303-08123</b>	Hex Screw	M8x12
16	4	<b>90301-14558</b>	Hex Screw	M14x55
17	24	<b>90169-01401</b>	Hex Screw	M14x45
18	2	<b>90873-10053</b>	Plug screw	M10x1, Allen head
19	28	<b>90550-14227</b>	Nut	M14 self locking
20	2	<b>146-111-2610</b>	Brake Bracket	
21	4	<b>91421-06060</b>	Shield hat	
22	4	<b>91402-10003</b>	Grease nipple	M10x1, Straight
23	4	<b>146-341-1200</b>	Anchor bolt	With grease nipple
24	8	<b>91106-36212</b>	O-ring	D36,2x3 Viton
25	8	<b>590-313-2091</b>	Sleeve	D32/36x25
26	96	<b>91501-00819</b>	Rivet	D6.2/12.3x18.3
29	4	<b>146-351-4100</b>	Brake shoe	210 mm, o-ring sealing
30	2	<b>146-331-0400</b>	Anchor support	
31	4	<b>90303-10203</b>	Hex Screw	M10x20
32	1	<b>146-212-1200</b>	S-cam shaft	LH, L=325,5
32	1	<b>146-212-1300</b>	S-cam shaft	RH, L=325,5
33	4	<b>146-373-0201</b>	Pin	D25x50
35	4	<b>90602-05450</b>	Spring cotter	D5x40
36	4	<b>146-371-0700</b>	Roller	D25/54x28
37	6	<b>599-601-8900</b>	Bush	D12/20/25x36
39	4	<b>92052-30002</b>	Return spring	D30x165.5
40	6	<b>90705-13023</b>	washer	D13/24x2.5
41	6	<b>90303-12603</b>	Hex Screw	M12x60
42	2	<b>146-311-7910</b>	Brake drum	D410x210 mm
43		<b>95752-10010</b>	Thread locking compound	
46	4	<b>546-306-0083</b>	Brake shoe assy	210mm, Beral1561
47		<b>546-360-3113</b>	Brake lining set	210mm, Beral1561, for one wheel