

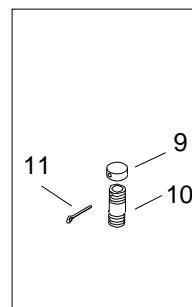
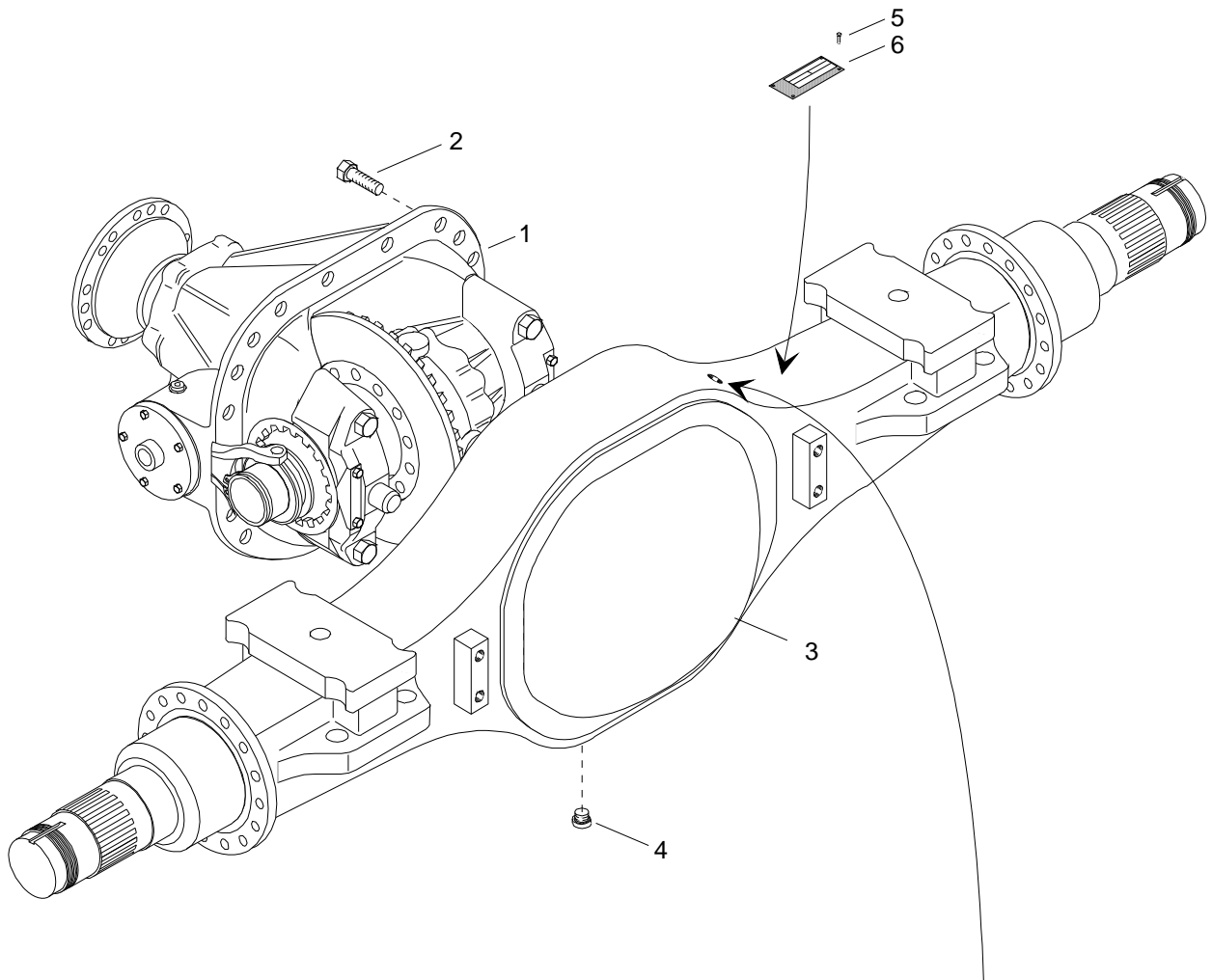
# **SISU AXLES**

## **SPARE PARTS BOOK**

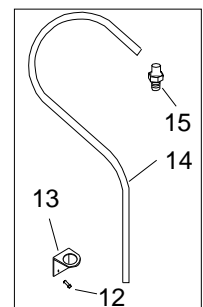
**Rear Axle  
SRDP-30-S**

**Up to S/N 6/2005  
Book No. 153 (6/2008)**

Sisu Axles, Inc.  
Autotehtaan tie 1  
PO Box 189  
FIN-13101 Hämeenlinna  
Finland  
Phone +358 204 55 2999  
Fax +358 204 55 2900



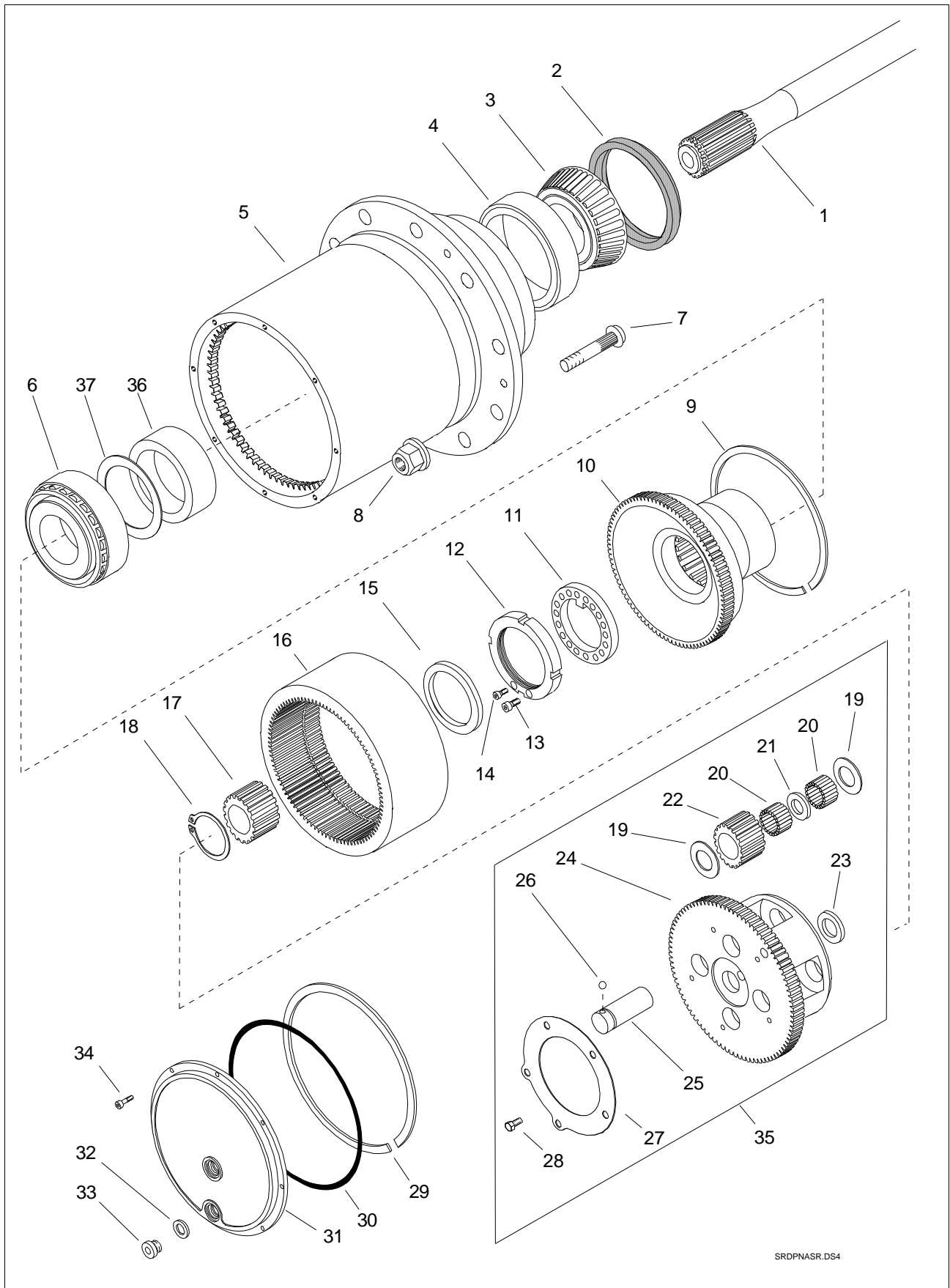
Huohotin 1  
Breather 1



Huohotin 2  
Breather 2

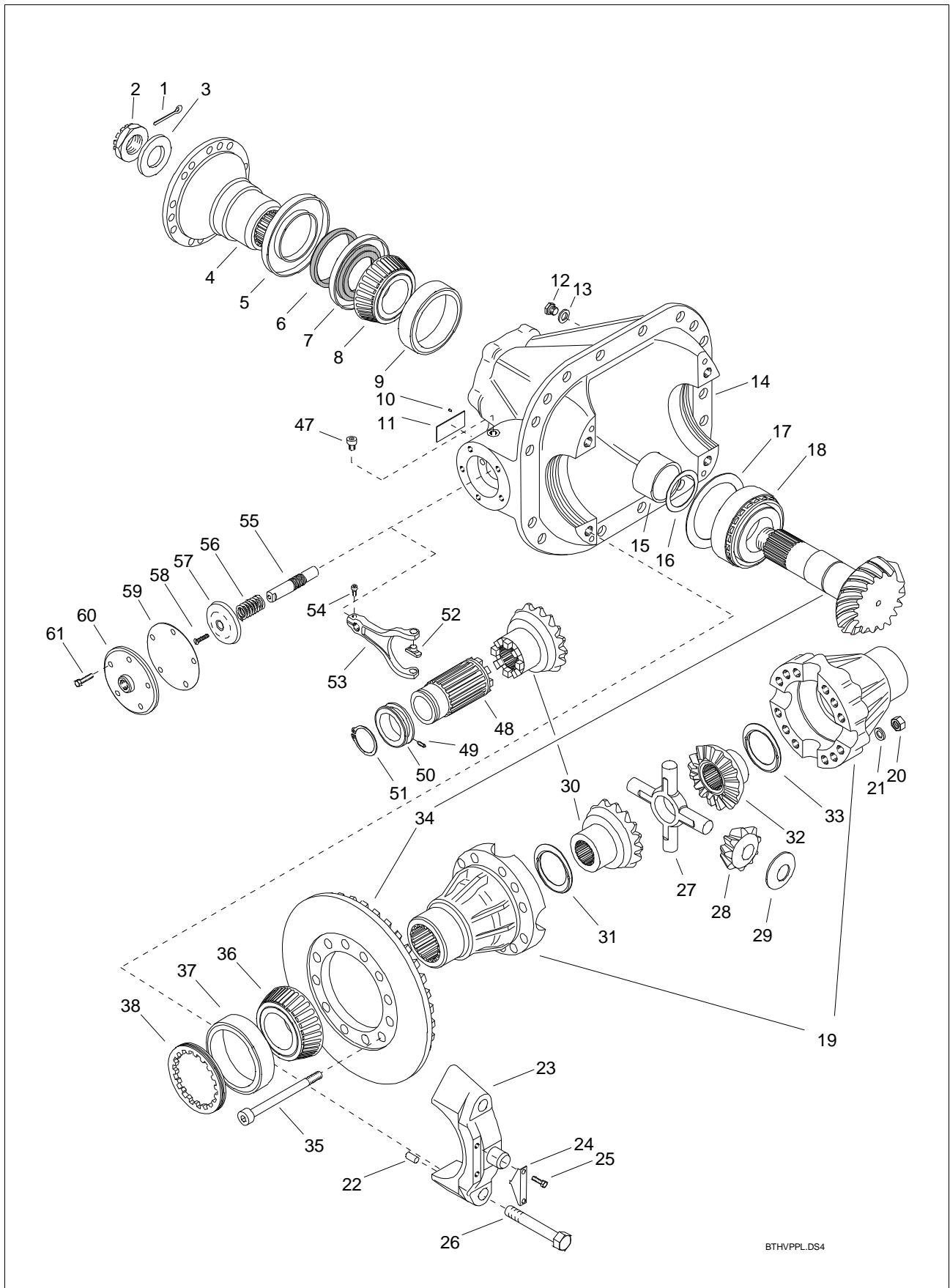
BTHBANJO.DS4

Item	Qty.	Order no.	Description	Note
1	1	543-203-1211	Diff. Carrier Assembly	10.59, HS1700/1800, w/o lock
1	1	543-203-1212	Diff. Carrier Assembly	10.59, HS 1600, w/o lock
1	1	543-203-1221	Diff. Carrier Assembly	16.41, HS1700/1800, w/o lock
1	1	543-203-1224	Diff. Carrier Assembly	10.59, DIN 180, w/o lock
1	1	543-203-1231	Diff. Carrier Assembly	20.57, HS1700/1800, w/o lock
1	1	543-203-1234	Diff. Carrier Assembly	20.57, DIN 180, w/o lock
1	1	543-203-1247	Diff. Carrier Assembly	14.12, DIN 180, w/o lock
1	1	543-203-1248	Diff. Carrier Assembly	FR 14.12, HS1700/1800, w/o lock
1	1	543-203-1271	Diff. Carrier Assembly	12.28, HS1700/1800, w/o lock
1	1	543-203-1272	Diff. Carrier Assembly	12.28, HS 1600, w/o lock
1	1	543-203-1312	Diff. Carrier Assembly	10.59, HS 1600, lock
1	1	543-203-1321	Diff. Carrier Assembly	16.41, HS1700/1800, lock
1	1	543-203-1324	Diff. Carrier Assembly	16.41, DIN 180, lock
1	1	543-203-1331	Diff. Carrier Assembly	20.57, HS1700-1800, lock
1	1	543-203-1334	Diff. Carrier Assembly	20.57, DIN 180, lock
1	1	543-203-1347	Diff. Carrier Assembly	14.12, DIN 180, lock
1	1	543-203-1348	Diff. Carrier Assembly	14.12, HS1700/1800, lock
1	1	543-203-1371	Diff. Carrier Assembly	12.28, HS1700/1800, lock
2	16	90303-16407	Hex Screw	M16x40, 10.9
3	NLA	543-114-5010	Axle Housing	Superceded by item 543-116-7910
3	1	543-116-7910	Axle Housing	
4	1	90831-24139	Oil plug	Up to No. 00702, 2/2000
4	1	90873-22109	Oil plug	M22x1.5, From No. 00703, 2/2000)
4	1	91201-22150	Seal ring	From No. 00703, 2/2000
5	4	90111-29054	Rivet	D2.9x5
6	1	91600-20811	Name plate	
9	1	179-842-0000	Breather Cover	
10	1	179-841-1000	Breather pipe	
11	1	90621-32253	Split pin	3.2x25
12	2	90111-29054	Rivet	D2.9x5
13	1	143-227-0800	Mounting Plate	
14		95242-06010	Plastic Pipe	Ø9.5/15.5 L=350
15	1	592422-01603	Hose clamp	
15	1	91978-30901	Binding screw	



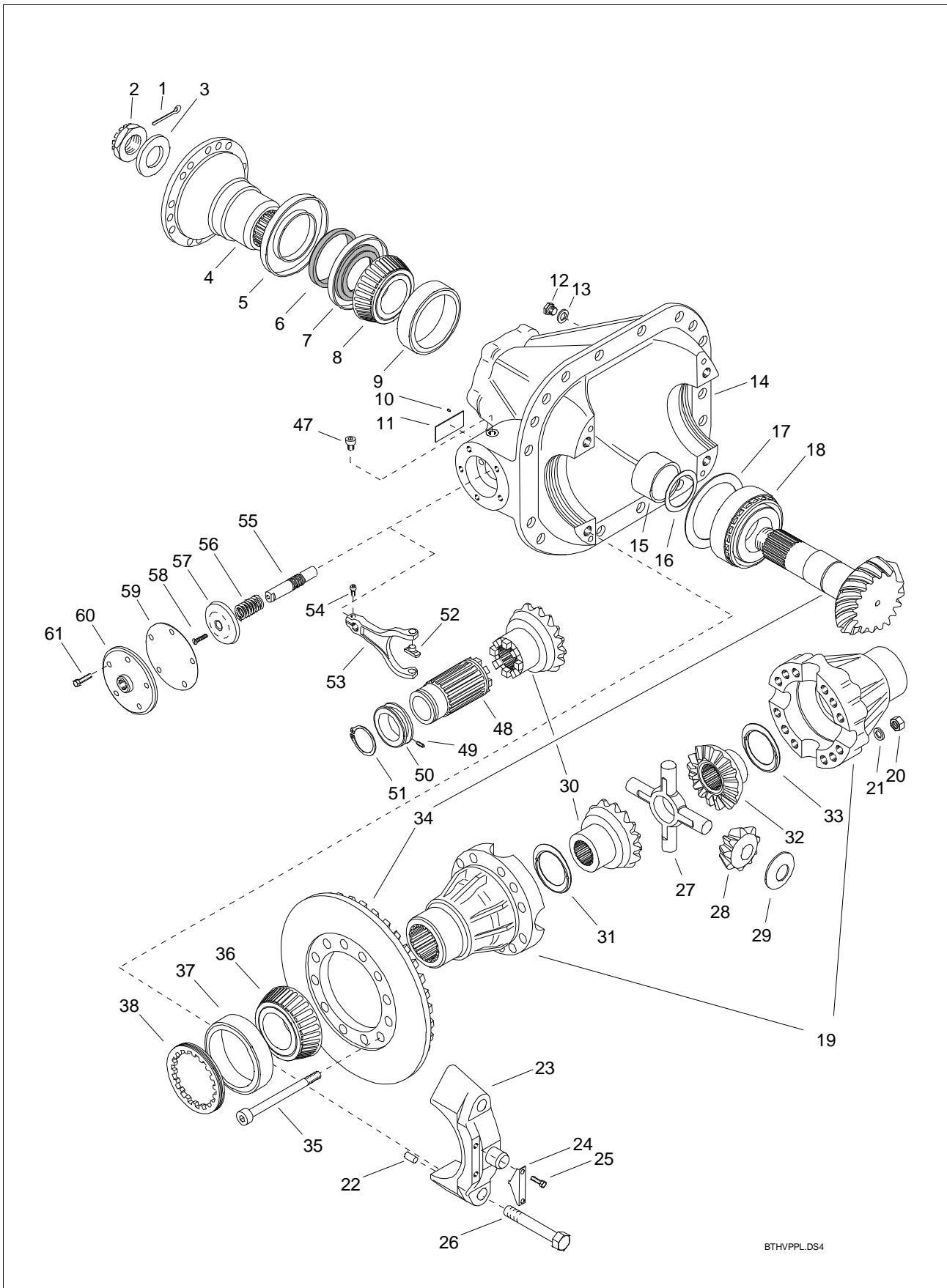
SRDPNASR.DS4

Item	Qty.	Order no.	Description	Note
1	2	<b>143-511-5010</b>	Axle Shaft	
2	2	<b>591122-12702</b>	Shaft seal	127x160, No. 22055 and all since 22221 (9/02)
2	2	<b>91122-12701</b>	Shaft seal	127x159 (8.95 -->9/02)
3	2	<b>090-111-0000</b>	Bearing inner race	
4	2	<b>090-121-5700</b>	Bearing outer race	
5	2	<b>143-441-0410</b>	Wheel hub	8.95 -->9/02
5	2	<b>543-441-0700</b>	Wheel hub	Axkle No. 22055 and all axles since 22221 (9/02)
6	2	<b>91744-01201</b>	T. Roller bearing	
7	20	<b>140-911-2510</b>	Wheel bolt	L=93 mm
8	20	<b>540-916-1610</b>	Wheel nut	
9	2	<b>91720-22501</b>	Retainer ring	
10	2	<b>135-271-0400</b>	Ring gear hub	Up to ser. No. 72066, 9/97
10	2	<b>535-271-0401</b>	Ring gear hub	Since ser. No. 72067, 9/97
11	2	<b>099-459-0000</b>	Lock washer	Up to ser. No. 72066, 9/97
11	2	<b>143-418-0510</b>	Lock plate	Since ser. No. 72067, 9/97
12	2	<b>099-290-8003</b>	Lock Nut	Up to ser. No. 72066, 9/97
12	2	<b>599-290-8004</b>	Lock Nut	Since ser. No. 72067, 9/97
13	2	<b>590319-08186</b>	Allen Screw	M8x18, Since ser. No. 72067, 9/97
14	2	<b>590319-08126</b>	Allen Screw	M8x12, Since ser. No. 72067, 9/97
14	4	<b>90319-06106</b>	Lock Screw	Up to ser. No. 72066, 9/97
15	2	<b>090-721-8500</b>	Protective cup	
16	2	<b>135-261-1900</b>	Ring gear	
17	2	<b>135-211-1100</b>	Sun gear	
18	2	<b>91711-05200</b>	Retainer ring	D52x2
19	16	<b>090-354-1050</b>	Spacer plate	
20	480	<b>090-005-0530</b>	Needle roller	
21	8	<b>090-354-1040</b>	Spacer ring	
22	8	<b>135-241-1100</b>	Planet gear	
23	2	<b>141-582-0000</b>	Thrust Washer	
24	2	<b>141-441-0900</b>	Planet carrier	
25	8	<b>135-251-1100</b>	Planet gear shaft	
26	8	<b>91375-10000</b>	Lock Ball	
27	2	<b>135-259-0210</b>	Lock plate	
28	10	<b>90303-08203</b>	Hex Screw	M8x20
29	2	<b>91720-26001</b>	Retainer ring	
30	2	<b>91109-50030</b>	O-ring	
31	2	<b>141-422-0410</b>	Planetary gear cover	Aluminium
31	2	<b>541-422-1200</b>	Planetary gear cover	Cast iron
32	4	<b>91201-22152</b>	Seal ring	D22/27x1.5 Al
33	4	<b>90873-22103</b>	Plug	M22x1.5, Allen head
34	16	<b>90313-06168</b>	Allen Screw	
35	2	<b>141-404-0081</b>	Planetary gear	
36	2	<b>543-416-0400</b>	Spacer ring	L=44 mm, since No. 93833, 11/99
37	ar	<b>590731-09510</b>	Shim	s= 0.1 mm, since No. 93833, 11/99
37	ar	<b>590731-09515</b>	Shim	s= 0.15 mm, since No. 93833, 11/99
37	ar	<b>590731-09520</b>	Shim	s= 0.2 mm, since No. 93833, 11/99
37	ar	<b>590731-09550</b>	Shim	s= 0.5 mm, since No. 93833, 11/99



BTHV/PPL.DS4

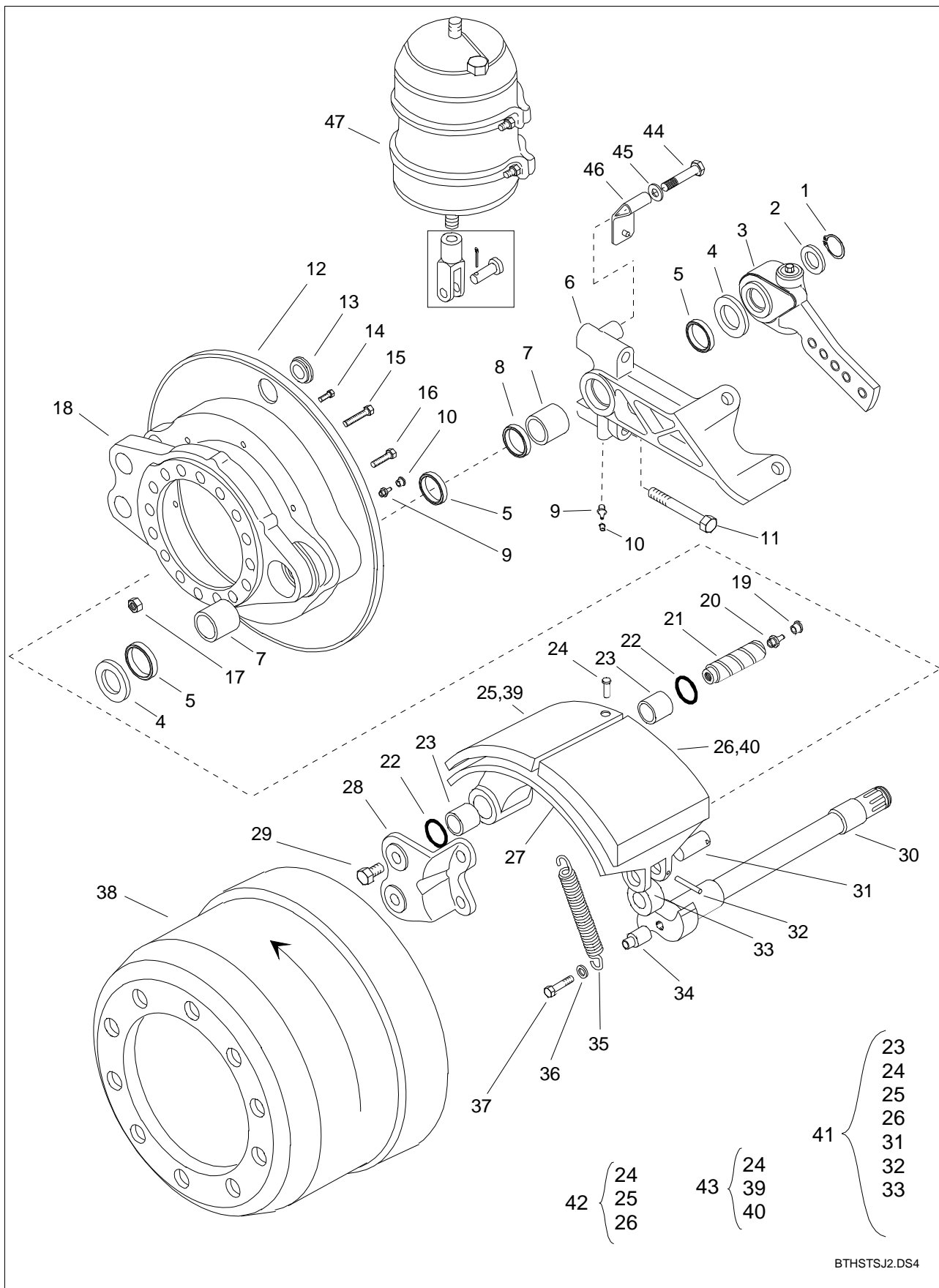
Item	Qty.	Order no.	Description	Note
1	1	90621-63633	Split pin	6.3x63
2	1	90546-42653	Nut	M42x1.5
3	1	90705-43069	washer	D43/80x6
4	1	138-916-2110	Flange	HS1600
4	1	138-918-0400	Flange	HS1700-1800
4	1	138-947-0101	Flange	DIN180
4	1	138-978-0010	Flange	Mechanics
4	1	538-967-0100	End Yoke	Yoke 1710
5	1	090-711-9000	Shield	
6	1	090-400-9500	V-ring	VS-95
7	1	91122-08504	Shaft seal	D85/140x13
8	1	090-110-6740	Bearing inner race	
9	1	090-121-3700	Bearing outer race	
10	4	90111-29054	Rivet	D2.9x5
11	1	91600-20811	Name plate	
12	1	90871-22193	Plug screw	M22x1.5, hex head
13	1	91201-22150	Seal ring	D22/27x1.5 Cu
14	1	143-210-1411	Differential Carrier	Without differential lock
14	1	143-210-1421	Differential Carrier	With differential lock
15	ar	099-557-1026	Spacer ring	(l=53.70)
15	ar	099-557-1027	Spacer ring	(l=53.72)
15	ar	099-557-1028	Spacer ring	(l=53.74)
15	ar	099-557-1029	Spacer ring	(l=53.76)
15	ar	099-557-1030	Spacer ring	(l=53.78)
16	ar	099-517-1000	Shim	(s=0.30)
16	ar	099-517-1001	Shim	(s=0.40)
16	ar	099-517-1002	Shim	(s=0.50)
17	ar	90731-12010	Shim	(s=0.1)
17	ar	90731-12020	Shim	(s=0.2)
17	ar	90731-12050	Shim	(s=0.5)
17	ar	90732-12010	Shim	(s=1.0)
18	1	090-050-7001	T. Roller bearing	
19	1	543-310-4551	Diff. case assy	Without diff. lock, FR < 14.59
19	1	543-310-4561	Diff. case assy	Without diff. lock, FR => 14.59
19	1	543-310-4571	Diff. case assy	With diff. lock, FR < 14.59
19	1	543-310-4581	Diff. case assy	With diff. lock, FR => 14.59
20	12	90550-16247	Nut	M16 self locking
21	12	90710-17047	washer	D17/30
22	4	590604-08141	Pin	Ø8x14
24	2	143-227-0610	Lock plate	
25	4	90303-08163	Screw	M8x16
26	4	90301-20377	Hex Screw	M20x130
27	1	143-331-1701	Spider	
28	4	143-341-1710	Pinion gear	
29	4	143-345-1010	Thrust washer	D29.5/63
30	1	543-351-4010	Side gear	w/o differential lock
30	1	543-351-4100	Side gear	With differential lock
31	1	543-356-0400	Thrust washer	D80/110x3, w/o differential lock
31	1	543-356-0410	Thrust washer	D90/120x3, With differential lock
32	1	543-351-4010	Side gear	
33	1	543-356-0400	Thrust washer	D80/110x3
34	1	143-240-2911	Ring and pinion gear set	12/30 Final Ratio 10.59
34	1	143-240-2921	Ring and pinion gear set	8/31 Final Ratio 16.41
34	1	143-240-2931	Ring and pinion gear set	7/34 Final Ratio 20.57
34	1	143-240-2939	Ring and pinion gear set	7/36 Final Ratio 21.78
34	1	143-240-2941	Ring and pinion gear set	14/29 Final Ratio 8.77
34	1	143-240-2961	Ring and pinion gear set	9/31 Final Ratio 14.59
34	1	143-240-2971	Ring and pinion gear set	10/29 Final Ratio 12.28
34	1	543-240-2949	Ring and pinion gear set	9/30 Final Ratio 14.12
35	12	90311-16298	Allen Screw	FR => 14.59
35	12	90311-16398	Allen Screw	FR <14,59
36	2	090-110-9000	Bearing inner race	
37	2	090-121-4700	Bearing outer race	
38	2	143-226-0012	Adjusting nut	D149



BTHV/PPL.DS4



Item	Qty.	Order no.	Description	Note
47	1	<b>90871-10143</b>	Plug screw	Hex head, since 1/2000
47	1	<b>90873-10053</b>	Plug screw	Allen head, up to 12/1999
48	1	<b>544-341-2000</b>	Sliding Gear	
49	1	<b>90335-05108</b>	Stopping screw	M5x10
50	1	<b>144-348-0000</b>	Sliding ring	
51	1	<b>91711-06500</b>	Retainer ring	D65
52	2	<b>133-348-0710</b>	Sliding shoe	
53	1	<b>144-751-1210</b>	Control fork	
54	1	<b>90313-06208</b>	Allen Screw	M6x20
55	1	<b>172-212-1710</b>	Sliding Shaft	
56	1	<b>097-122-0100</b>	Return spring	
57	1	<b>172-361-0410</b>	Push plate	
58	1	<b>90319-08206</b>	Screw	M8x20
59	1	<b>172-351-1202</b>	Membrane	
60	1	<b>172-161-0701</b>	Membrane cover	M16x1.5
60	1	<b>572-161-1501</b>	Membrane cover	M16x1.5, side connection
61	5	<b>90303-08203</b>	Hex Screw	M8x20



Item	Qty.	Order no.	Description	Note
1	2	91712-02800	Retainer ring	D28x2
2	2	90700-29001	Spacer plate	D29/50x2
3	2	146-520-0033	Slack adjuster	178 mm, offset 0, manual
3	2	146-530-0711	Slack adjuster	178 mm, offset 0, automatic
4	4	91726-43065	Support ring	D43/65x3
5	6	91122-04201	Shaft seal	D42/55x8
6	1	146-721-5000	Chamber bracket	RH
6	1	146-721-5110	Chamber bracket	LH
7	4	590-314-2062	Sleeve	Sub. For 090-314-2060 (10/98)
8	2	91122-04202	Shaft seal	D42/55x7
9	4	91402-10003	Grease nipple	M10x1, Straight
10	4	91421-06060	Shield hat	
11	4	90301-16117	Hex Screw	M16x100, 10.9
12	2	146-131-2110	Dust Shield	180 mm brakes
12	2	146-131-2210	Dust Shield	210 mm brakes
13	4	095-553-2000	Shield plug	
14	14	90303-08123	Hex Screw	M8x12
15	4	90301-14558	Hex Screw	M14x55
16	24	90169-01401	Hex Screw	M14x45
17	28	90550-14227	Nut	M14 self locking
18	2	146-111-2610	Brake Bracket	
19	4	91421-06060	Shield hat	If fitted
20	4	91402-10003	Grease nipple	If fitted, M10x1, Straight
21	4	146-341-1200	Anchor bolt	With grease nipple
21	4	146-341-1210	Anchor bolt	W/o grease nipple
22	8	91106-36212	O-ring	Not used between 2/97-10/99
23	8	590-313-2091	Sleeve	Sub. for 090-313-2090 (10/99)
24	96	91501-00819	Rivet	
25	4	546-361-6112	Brake lining	180 mm, DB5010, not serviced separately
25	4	546-361-6313	Brake lining	210 mm, Beral1561, not serviced separately
26	4	546-361-6012	Brake lining	180 mm, DB5010, not serviced separately
26	4	546-361-6213	Brake lining	210 mm, Beral1561, not serviced separately
27	4	146-351-4000	Brake shoe	180 mm
27	4	146-351-4100	Brake shoe	210 mm
28	2	146-331-0400	Anchor support	
29	4	90303-10203	Hex Screw	M10x20
30	1	146-212-0400	S-cam shaft	RH
30	1	146-212-0500	S-cam shaft	LH
31	4	146-373-0201	Pin	
32	4	90602-05450	Spring cotter	D5x40
33	4	146-371-0700	Roller	
34	6	599-601-8900	Bush	
35	4	92052-30002	Return spring	
36	6	90705-13023	washer	D13/24x2.5
37	6	90303-12603	Hex Screw	M12x60
38	2	146-311-7200	Brake drum	210 mm
38	2	146-311-7210	Brake drum	180 mm, suits all, alternative for 546-311-8111
38	2	546-311-8111	Brake drum	180 mm, not suitable before axle S/N 32170 (1993)
41	NLA	546-306-0052	Brake shoe assy	180 mm, DB5010
41	4	546-306-0054	Brake shoe assy	180 mm, FO764
41	4	546-306-0083	Brake shoe assy	210mm, Beral1561
42	ar	546-360-3012	Brake lining set	180mm, DB5010, for one wheel
42	ar	546-360-3113	Brake lining set	210mm, Beral1561, for one wheel
43	ar	546-360-3022	Br. lining set(over size)	180 mm, DB5010, for one wheel
43	ar	546-360-3122	Br. lining set(over size)	210 mm, DB5010, for one wheel
44	2	90303-12603	Hex Screw	With autom. slack adjuster
45	2	90705-13023	washer	With autom. slack adjuster
46	2	546-592-0801	Lock plate	With autom. slack adjuster
47	2	172-103-4161	Spring Brake Chamber	30"/30" (Knorr)
47	2	572-103-4164	Spring Brake Chamber	30"/30" Arfesan