

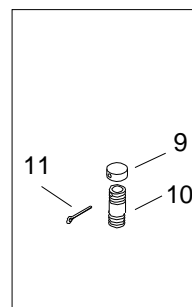
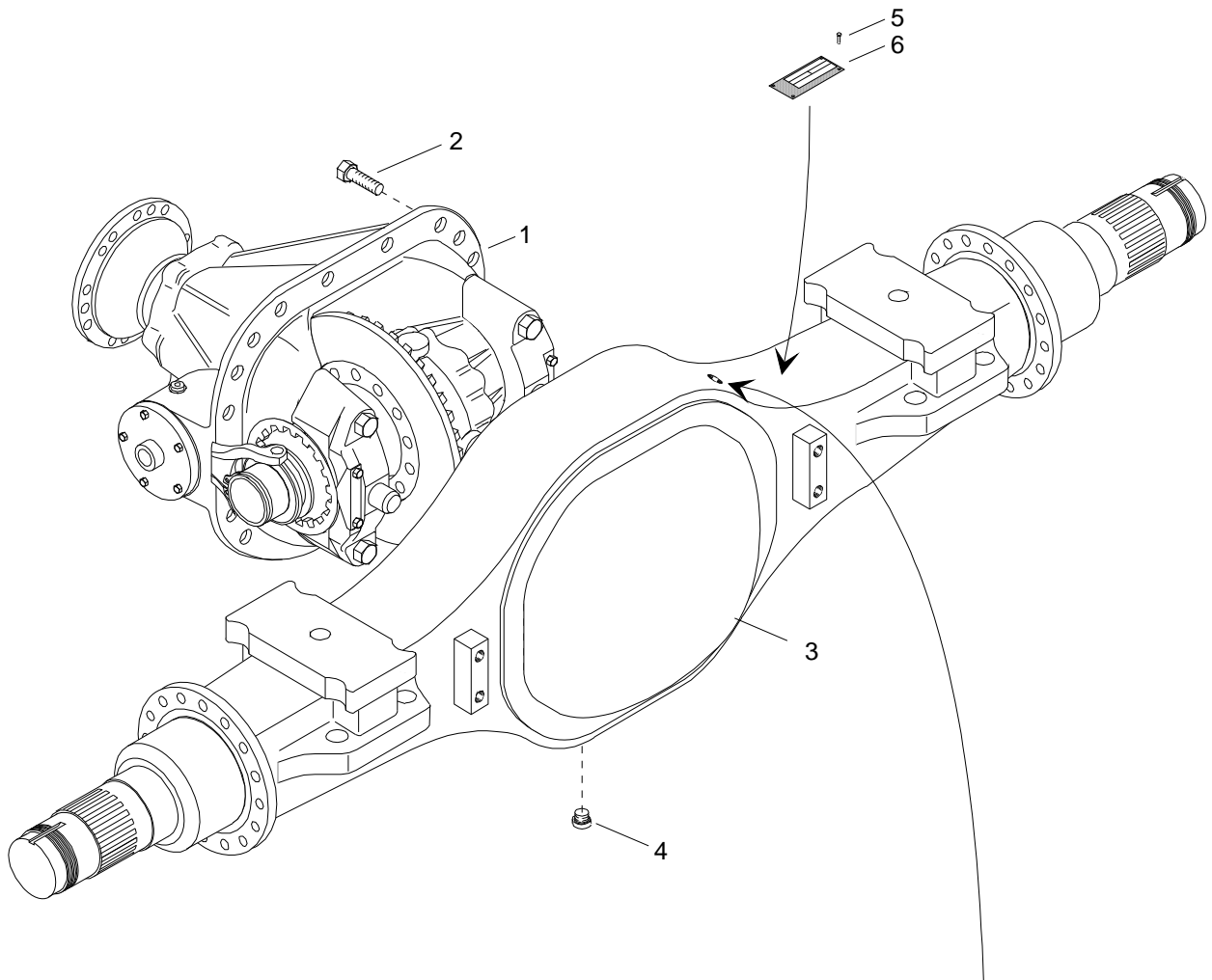
SISU AXLES

SPARE PARTS BOOK

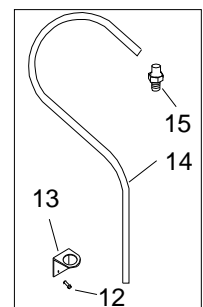
Industrial Axle SRDP-32-P

Book No. 400 (11/2010)

Sisu Axles, Inc.
Autotehtaantie 1
PO Box 189
FIN-13101 Hämeenlinna
Finland
Phone +358 204 55 2999
Fax +358 204 55 2900



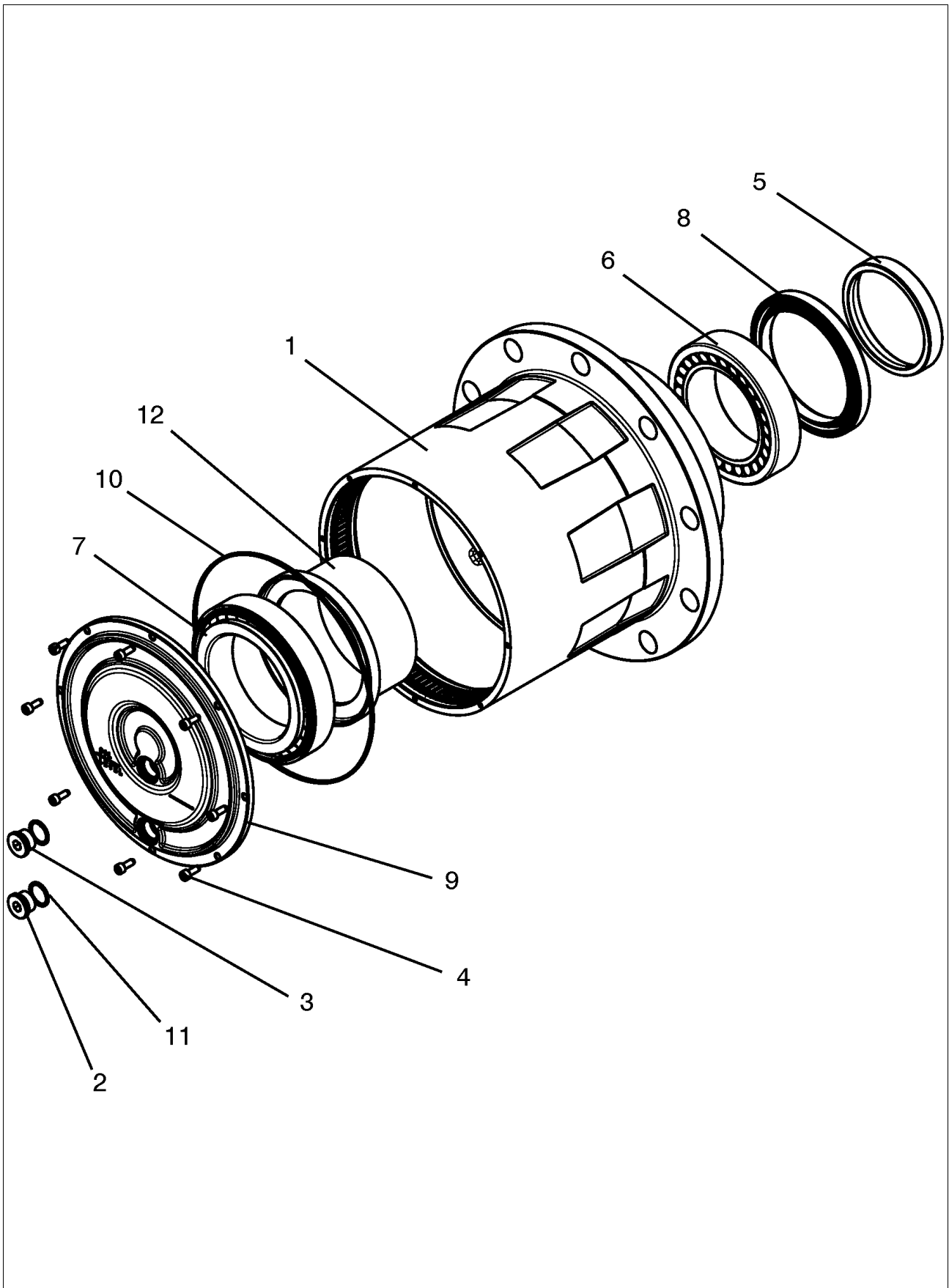
Huohotin 1
Breather 1



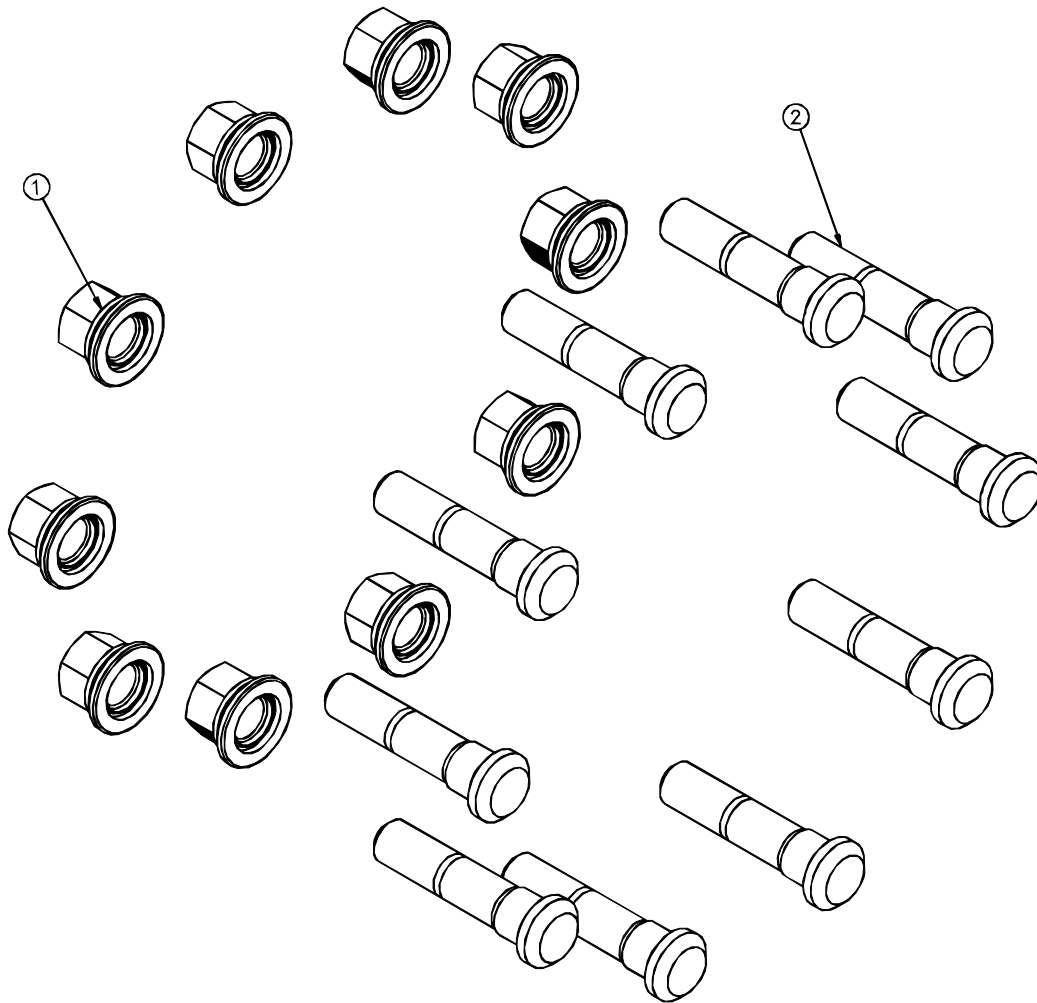
Huohotin 2
Breather 2

BTHBANJO.DS4

| Item | Qty. | Order no. | Description | Note |
|------|------|---------------------|------------------------|--------------------------------------|
| 1 | 1 | 543-203-9127 | Diff. Carrier Assembly | FR=16.41, ISO 8667-T150, W/diff lock |
| 1 | 1 | 543-203-9134 | Diff. Carrier Assembly | FR=20.57, DIN180/HS1600, W/diff lock |
| 1 | 1 | 543-203-9137 | Diff. Carrier Assembly | FR=20.57, ISO 8667-T150, W/diff lock |
| 2 | 16 | 90303-16407 | Hex Screw | M16x40, 10.9 |
| 3 | 1 | 101-0110-340 | Axle Housing | |
| 3 | 1 | 101-0110-379 | Axle Housing | |
| 4 | 1 | 90873-22109 | Diff. Carrier Assembly | M22x1.5 |
| 4 | 1 | 91201-22150 | Seal ring | For M22 Plug |
| 5 | 4 | 90111-29054 | Rivet | D2.9x5 |
| 6 | 1 | 591600-20823 | Name plate | |
| 9 | 1 | 179-842-0000 | Breather Cover | |
| 10 | 1 | 179-841-1000 | Breather pipe | |
| 11 | 1 | 90621-32253 | Split pin | 3.2x25 |
| 12 | 2 | 590111-29064 | Rivet | 2.89x6.35 |
| 13 | 1 | 143-227-0800 | Mounting Plate | |
| 14 | | 95242-06010 | Plastic Pipe | Ø9.5/15.5 L=350 |
| 15 | 1 | 592422-01603 | Hose clamp | |
| 15 | 1 | 91978-30901 | Binding screw | R3/8"/D10 |

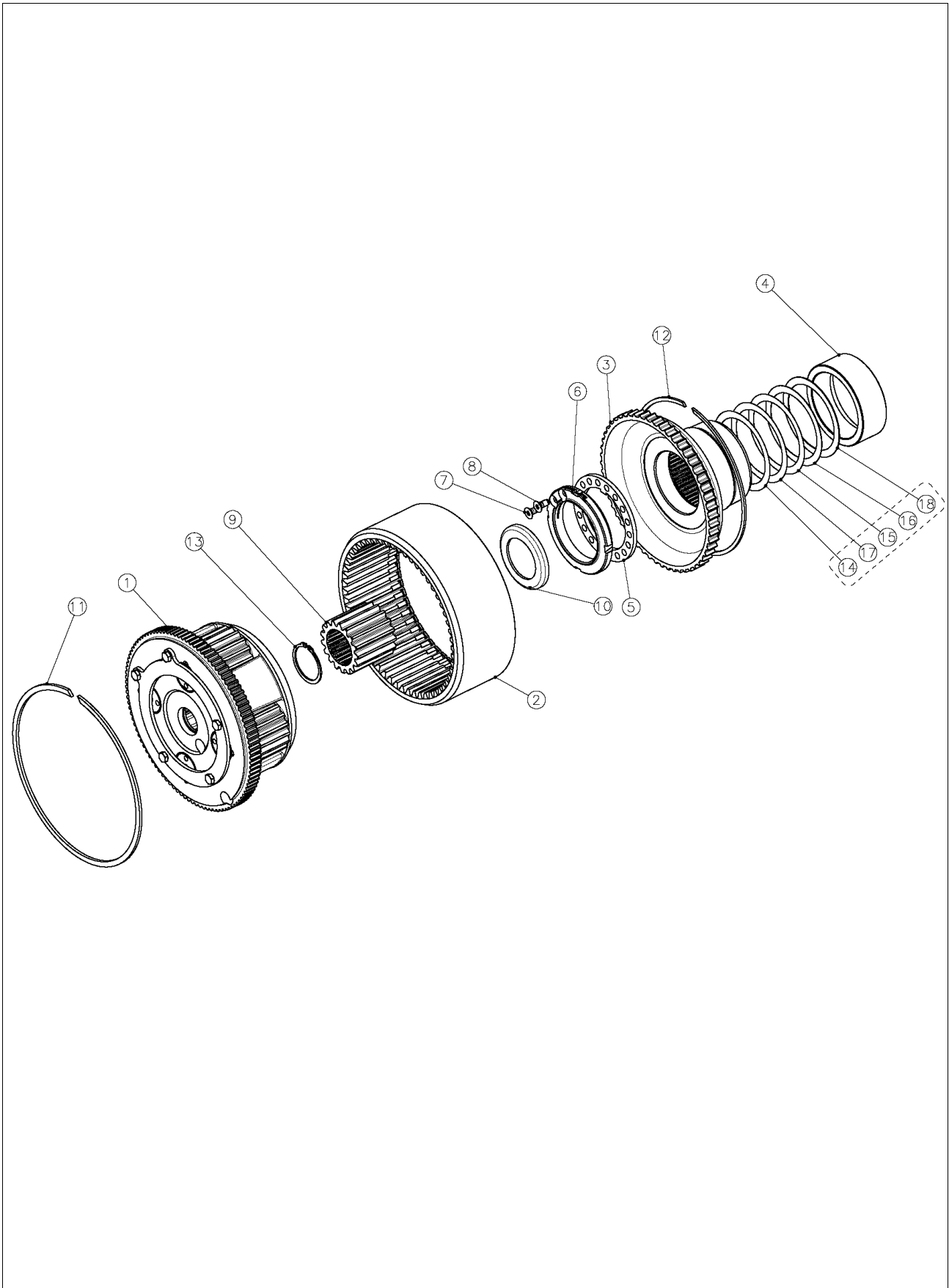


| Item | Qty. | Order no. | Description | Note |
|------|------|---------------------|------------------------|--|
| 1 | 2 | 404-0110-305 | Wheel hub | |
| 2 | 2 | 90873-22109 | Diff. Carrier Assembly | M22x1.5 - DIN908, Allen head, magnetic |
| 3 | 2 | 90873-22103 | Plug | M22x1.5 - DIN908, Allen head |
| 4 | 16 | 90313-06168 | Allen Screw | M6x16 |
| 5 | 2 | 543-415-0600 | Spacer ring | D111/127x19 |
| 6 | 2 | 91744-01051 | T. Roller bearing | |
| 7 | 2 | 91744-01201 | T. Roller bearing | |
| 8 | 2 | 591122-12702 | Shaft seal | D127/160 |
| 9 | 2 | 541-422-1200 | Planetary gear cover | |
| 10 | 2 | 91109-50030 | O-ring | D249.5x3 |
| 11 | 4 | 91201-22150 | Seal ring | D22/27x1.5 Cu |
| 12 | 2 | 606-0710-310 | Bush | |

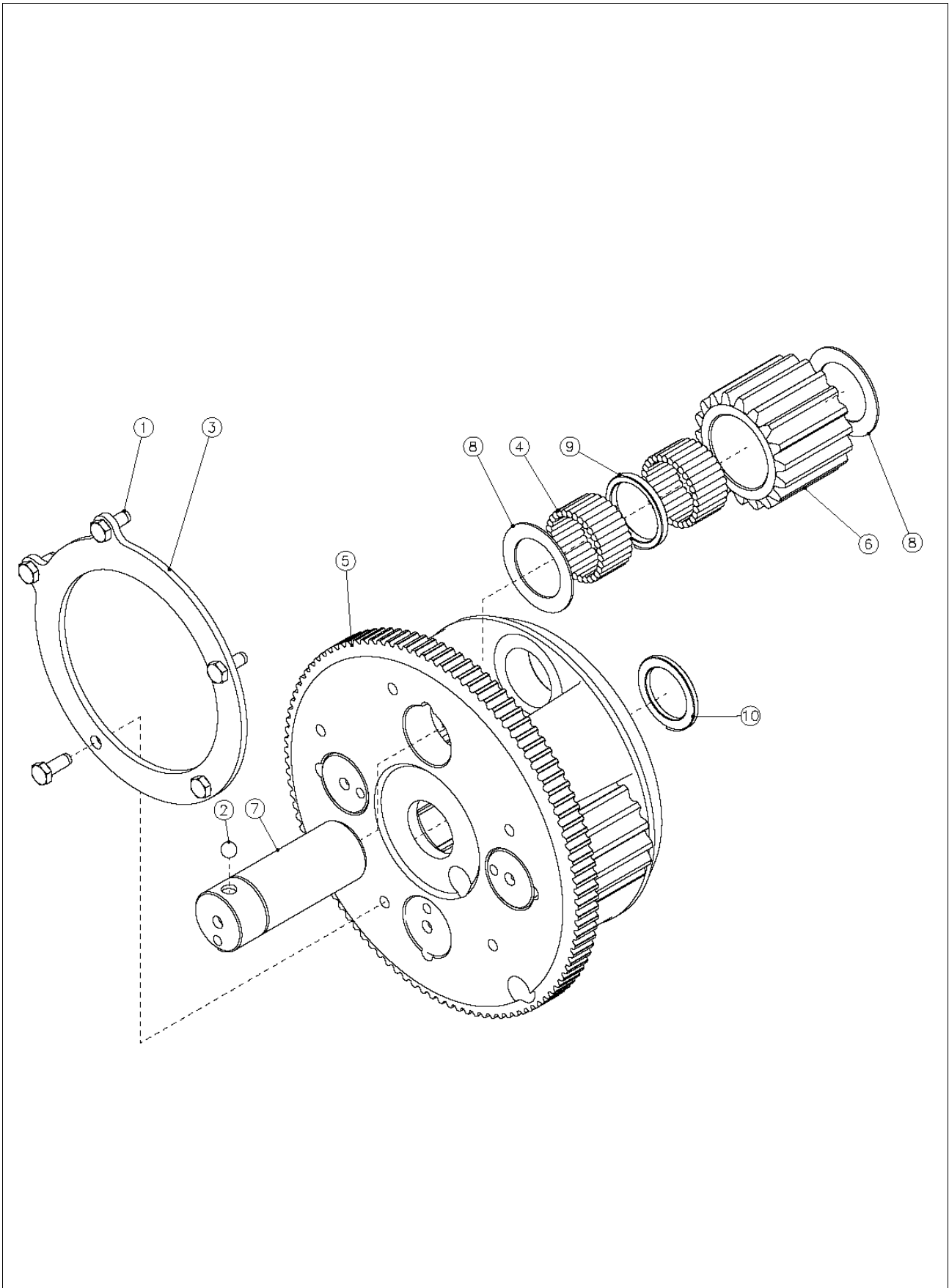


M402-036.DS4

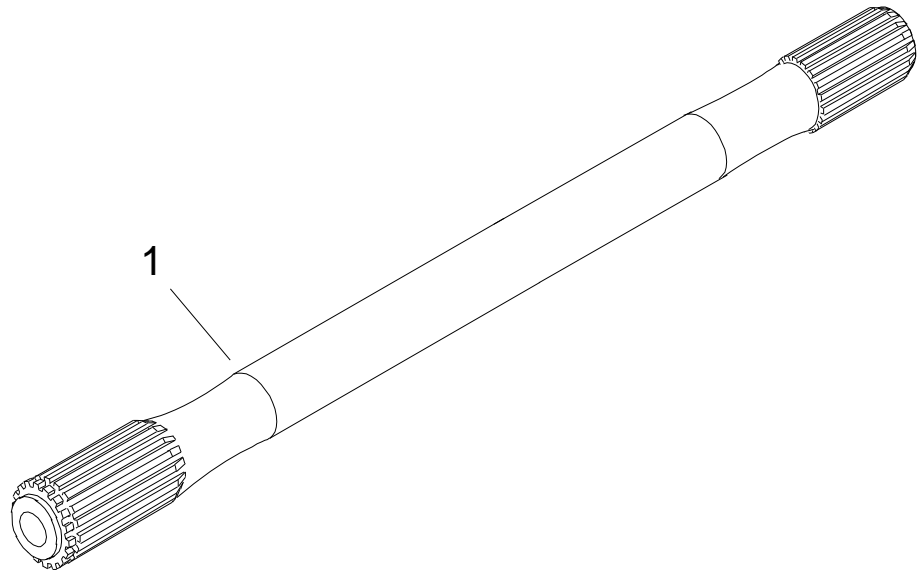
| Item | Qty. | Order no. | Description | Note |
|------|------|---------------------|-------------|---------------|
| 1 | 20 | 540-916-1610 | Wheel nut | M22x1.5 |
| 2 | 20 | 140-911-2700 | Wheel bolt | L=113 mm |
| 3 | 20 | 140-911-2510 | Wheel bolt | L=93 mm |
| 3 | 20 | 140-911-2610 | Wheel bolt | L=83 mm, 12.9 |



| Item | Qty. | Order no. | Description | Note |
|------|------|---------------------|----------------|-----------------------|
| 1 | 2 | 141-404-0081 | Planetary gear | i=4.235 |
| 2 | 2 | 135-261-1900 | Ring gear | |
| 3 | 2 | 535-271-0401 | Ring gear hub | |
| 4 | 2 | 543-416-0500 | Spacer ring | D95/117x42 |
| 5 | 2 | 143-418-0510 | Lock plate | S=6 mm, punched |
| 6 | 2 | 599-290-8004 | Lock Nut | M90x2, s=16 mm |
| 7 | 2 | 590319-08126 | Allen Screw | M8x12M8x12, Cone head |
| 8 | 2 | 590319-08186 | Allen Screw | M8x18, Cone head |
| 9 | 2 | 135-211-1100 | Sun gear | Z17, spline D52/Z24 |
| 10 | 2 | 090-721-8500 | Protective cup | D60/85x10 |
| 11 | 2 | 91720-26001 | Retainer ring | D265x4.2 |
| 12 | 2 | 91720-22501 | Retainer ring | D225x3 |
| 13 | 2 | 91711-05200 | Retainer ring | D52x2 |
| 14 | ar | 590731-09520 | Shim | s= 0.2 mm |
| 15 | ar | 590731-09530 | Shim | s= 0.3 mm |
| 16 | ar | 590731-09550 | Shim | s= 0.5 mm |
| 17 | ar | 590732-09510 | Shim | s= 1.0 mm |

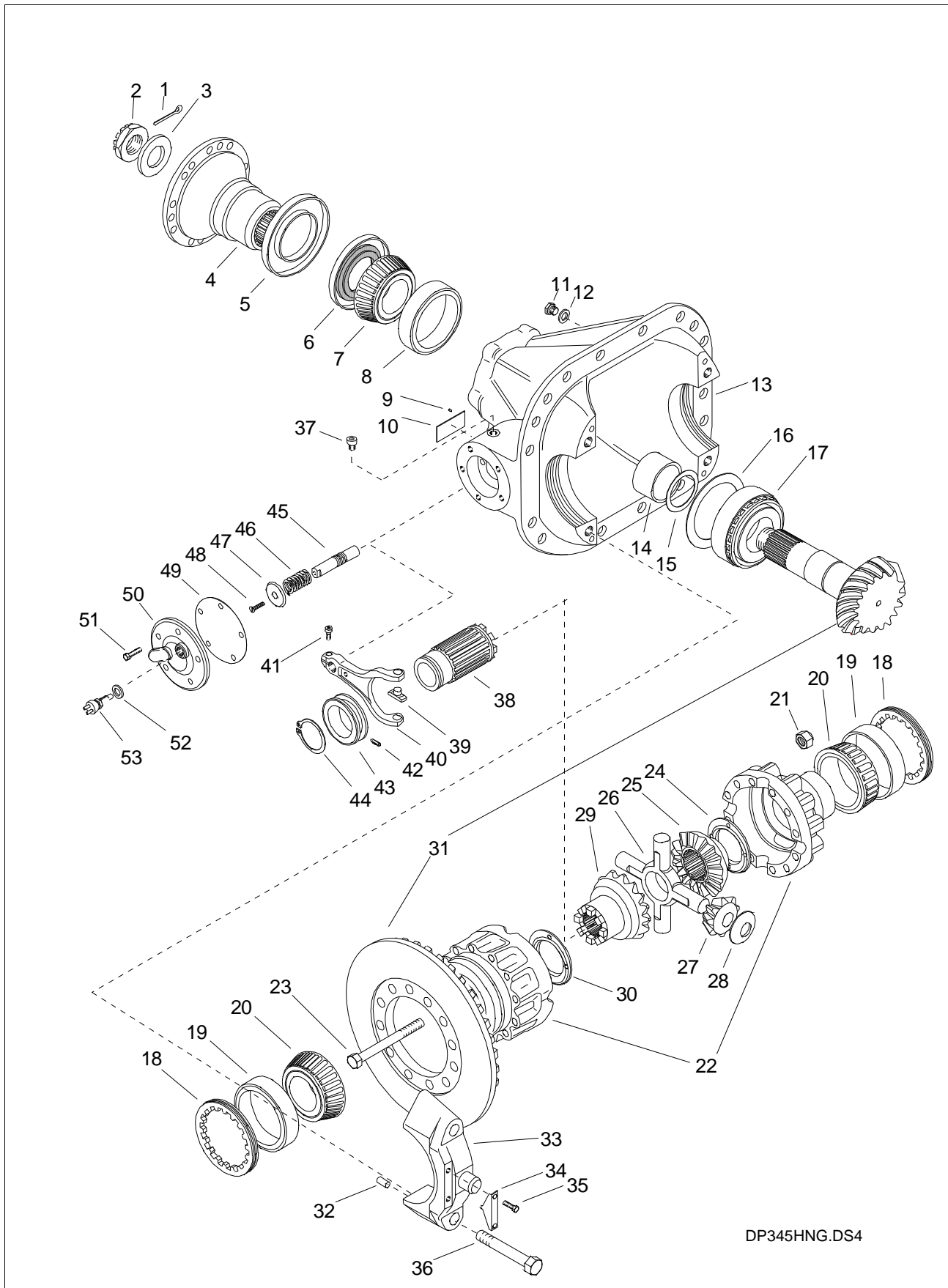


| Item | Qty. | Order no. | Description | Note |
|------|------|---------------------|-------------------|-------------|
| 1 | 5 | 90303-08203 | Hex Screw | M8x20 |
| 2 | 4 | 91375-10000 | Lock Ball | D10 |
| 3 | 1 | 135-259-0210 | Lock plate | |
| 4 | 240 | 090-005-0530 | Needle roller | D4.762x28.5 |
| 5 | 1 | 141-441-0900 | Planet carrier | |
| 6 | 4 | 135-241-1100 | Planet gear | |
| 7 | 4 | 135-251-1100 | Planet gear shaft | |
| 8 | 8 | 090-354-1050 | Spacer plate | |
| 9 | 4 | 090-354-1040 | Spacer ring | |
| 10 | 1 | 141-582-0000 | Thrust Washer | |

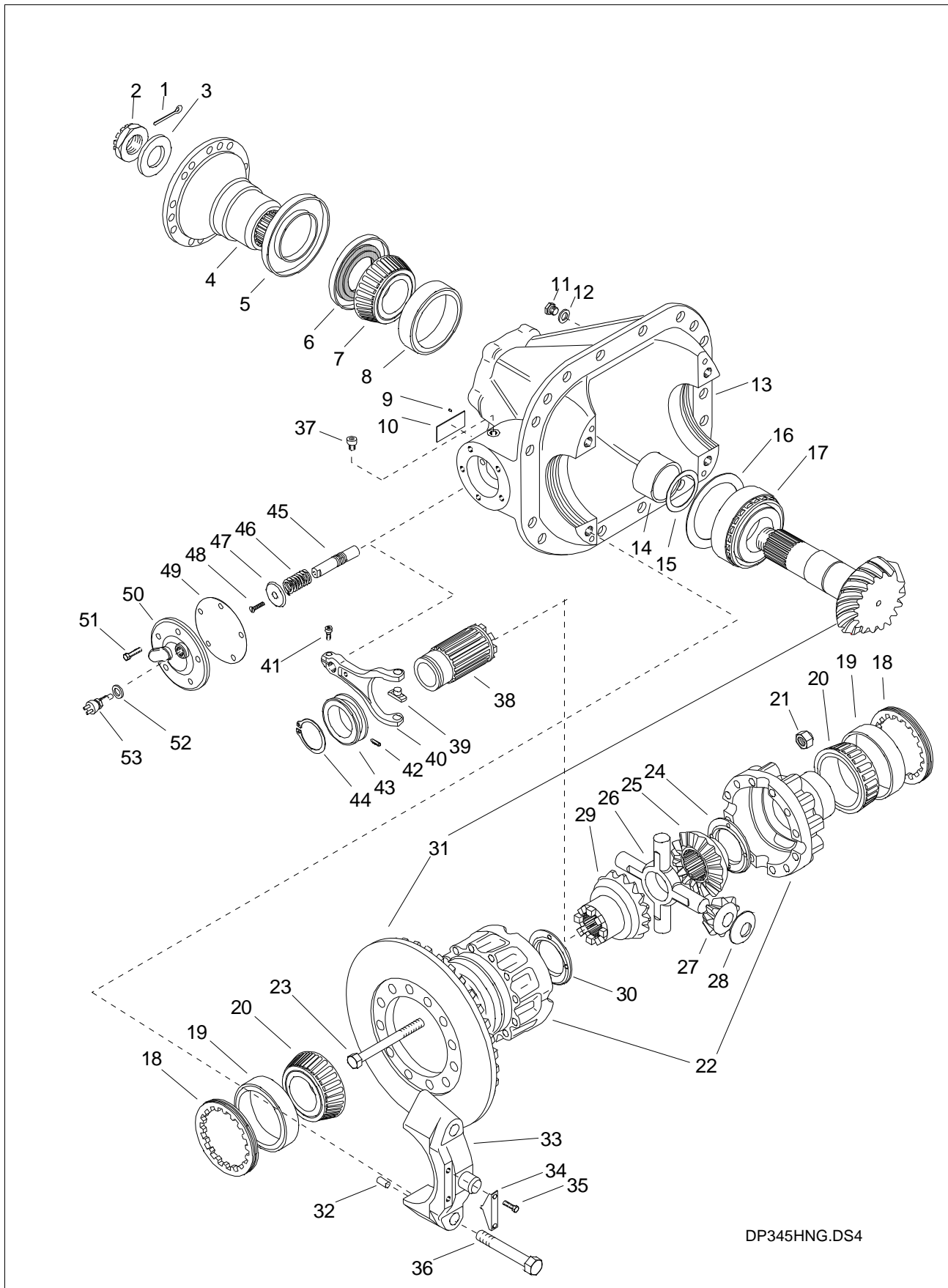


M306-097.DS4

| Item | Qty. | Order no. | Description | Note |
|------|------|---------------------|-------------|---------------------------|
| 1 | 1 | 543-512-0400 | Axle Shaft | RH, L=1090, D55Z26/D52Z24 |
| 1 | 1 | 543-512-0410 | Axle Shaft | LH, L=1140, D55Z26/D52Z24 |

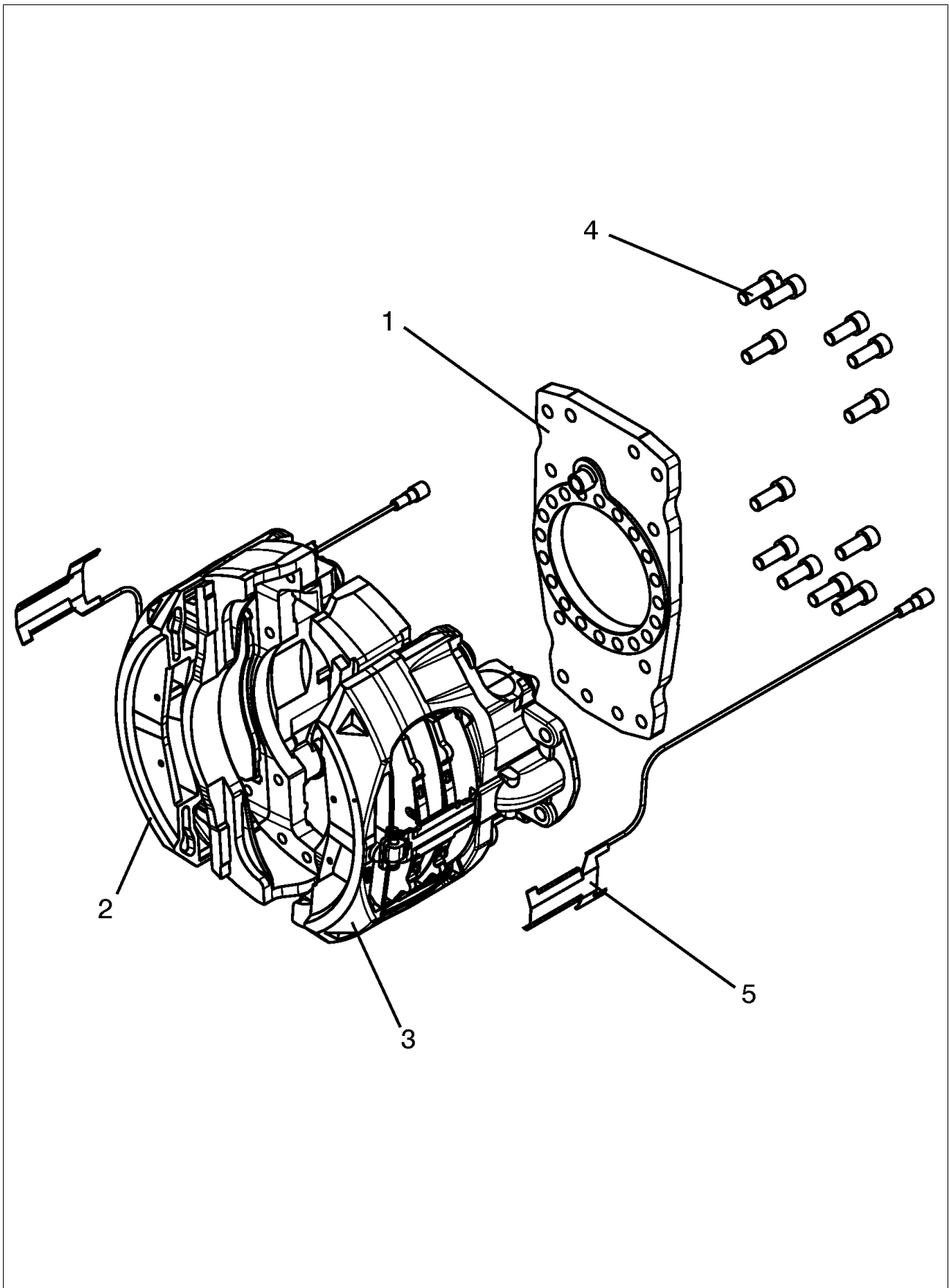


| Item | Qty. | Order no. | Description | Note |
|------|------|--------------|--------------------------|---|
| 1 | 1 | 90621-63633 | Split pin | 6.3x63 |
| 2 | 1 | 90546-42653 | Nut | M42x1.5 |
| 3 | 1 | 90705-43069 | washer | D43/80x6 |
| 4 | 1 | 138-918-0400 | Flange | HS1700-1800 |
| 4 | 1 | 138-918-0401 | Flange | ISO 8667 - T180 |
| 4 | 1 | 138-947-0101 | Flange | DIN180/HS1600 |
| 4 | 1 | 538-916-3401 | Flange | ISO 8667 - T150 |
| 4 | 1 | 538-967-0100 | End Yoke | Yoke 1710 |
| 5 | 1 | 090-711-9000 | Shield | |
| 6 | 1 | 591122-08508 | Shaft seal | D85/140x13/20 Cassette seal |
| 7 | 1 | 090-110-6740 | Bearing inner race | |
| 8 | 1 | 090-121-3700 | Bearing outer race | |
| 9 | 4 | 90111-29054 | Rivet | D2.9x5 |
| 10 | 1 | 591600-20823 | Name plate | |
| 11 | 1 | 90871-22193 | Plug screw | M22x1.5, hex head |
| 12 | 1 | 91201-22150 | Seal ring | D22/27x1.5 Cu |
| 13 | 1 | 143-210-1411 | Differential Carrier | Without differential lock (inc. pos. 32, 33 & 36) |
| 13 | 1 | 143-210-1421 | Differential Carrier | With differential lock (inc. pos. 32, 33 & 36) |
| 14 | ar | 099-557-1026 | Spacer ring | (l=53.70) |
| 14 | ar | 099-557-1027 | Spacer ring | (l=53.72) |
| 14 | ar | 099-557-1028 | Spacer ring | (l=53.74) |
| 14 | ar | 099-557-1029 | Spacer ring | (l=53.76) |
| 14 | ar | 099-557-1030 | Spacer ring | (l=53.78) |
| 15 | ar | 099-517-1000 | Shim | (s=0.30) |
| 15 | ar | 099-517-1001 | Shim | (s=0.40) |
| 15 | ar | 099-517-1002 | Shim | (s=0.50) |
| 16 | ar | 90731-12010 | Shim | (s=0.1) |
| 16 | ar | 90731-12020 | Shim | (s=0.2) |
| 16 | ar | 90731-12050 | Shim | (s=0.5) |
| 16 | ar | 90732-12010 | Shim | (s=1.0) |
| 17 | 1 | 090-050-7001 | T. Roller bearing | |
| 18 | 2 | 143-226-0012 | Adjusting nut | D149 |
| 19 | 2 | 090-121-4700 | Bearing outer race | |
| 20 | 2 | 090-110-9000 | Bearing inner race | |
| 21 | 12 | 90556-16247 | Nut | M16x1.5 |
| 22 | 1 | 143-310-3811 | Diff. case assy | FR=>14.59, w/diff lock |
| 22 | 1 | 543-310-4811 | Diff. case assy | FR<14.59, w/diff lock |
| 22 | 1 | 543-310-4821 | Diff. case assy | FR=>14.59, w/o diff lock |
| 22 | 1 | 543-310-4831 | Diff. case assy | FR<14.59, w/o diff lock |
| 23 | 12 | 599-116-3250 | Hex Screw | M16x1.5, L= 207, 12.9, FR < 14.59 |
| 23 | 12 | 90321-16538 | Hex Screw | M16x1.5, L=160, 12.9, FR => 14.59 |
| 24 | 1 | 090-357-5000 | Thrust washer | D75/111x3 |
| 25 | 1 | 543-351-4210 | Side gear | D55/Z26 |
| 26 | 1 | 143-331-0603 | Spider | |
| 27 | 4 | 143-341-0700 | Pinion gear | |
| 28 | 4 | 143-345-0400 | Thrust washer | D29/65x1.5 |
| 29 | 1 | 543-351-4310 | Side gear | D55/Z26, W/diff lock |
| 29 | 1 | 543-351-4610 | Side gear | D55/Z26, W/o diff lock |
| 30 | 1 | 090-359-7000 | Thrust washer | D97/127x3 |
| 31 | 1 | 543-240-5911 | Ring and pinion gear set | 12/30, FR 10.59, LH |
| 31 | 1 | 543-240-5921 | Ring and pinion gear set | 8/31, FR 16.41, LH |
| 31 | 1 | 543-240-5931 | Ring and pinion gear set | 7/34, FR 20.57, LH |
| 31 | 1 | 543-240-5949 | Ring and pinion gear set | 9/30, FR 14.12, LH |
| 31 | 1 | 543-240-5971 | Ring and pinion gear set | 10/29, FR 12.28, LH |
| 32 | 4 | 590604-08141 | Pin | Ø8x14 |
| 33 | | 143-214-2180 | Bearing Case Half | Not Servised Separately |
| 34 | 2 | 143-227-0610 | Lock plate | |
| 35 | 4 | 90303-08103 | Hex Screw | M8x10 |
| 36 | 4 | 90301-20377 | Hex Screw | M20x130 |

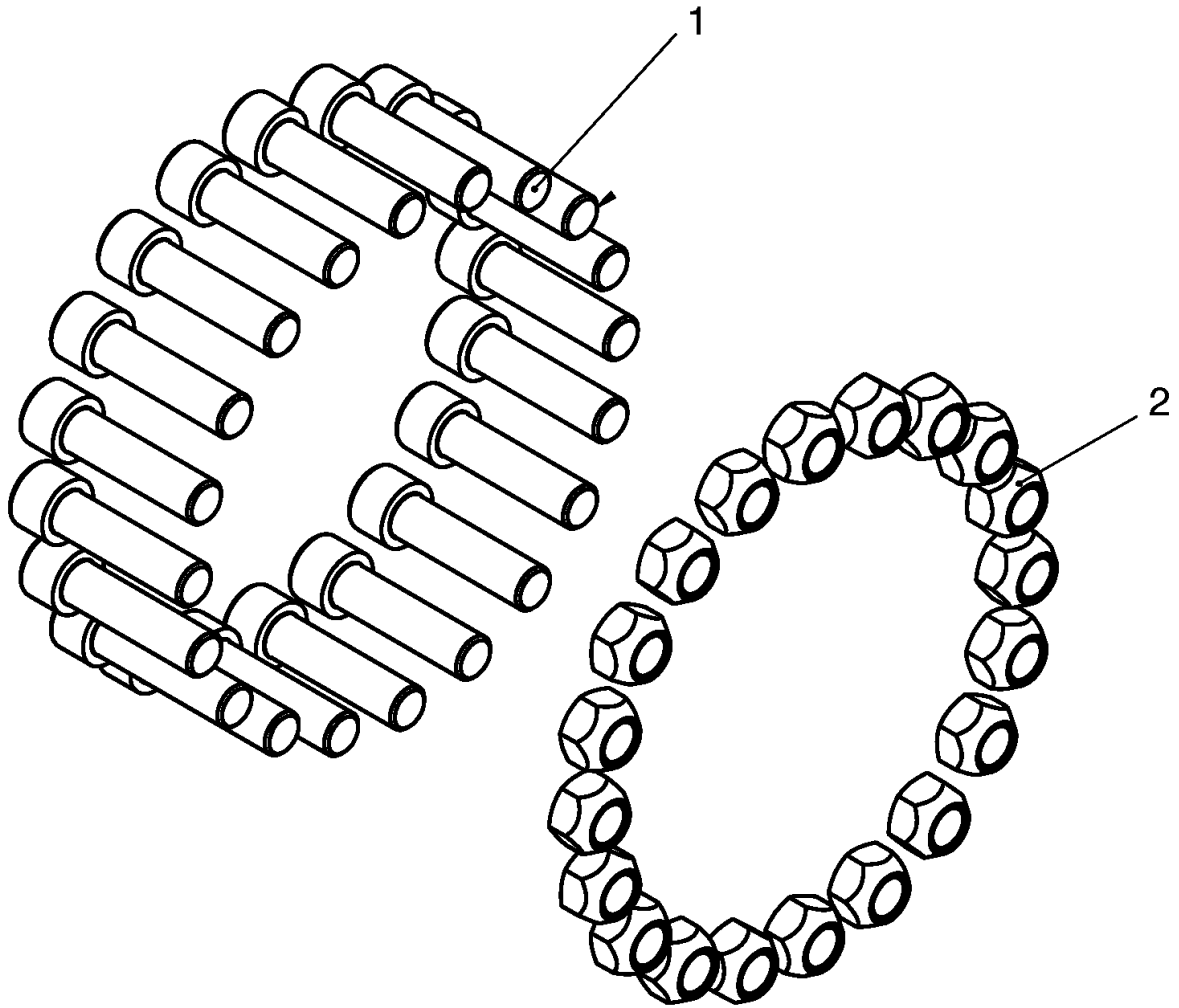


DP345HNG.DS4

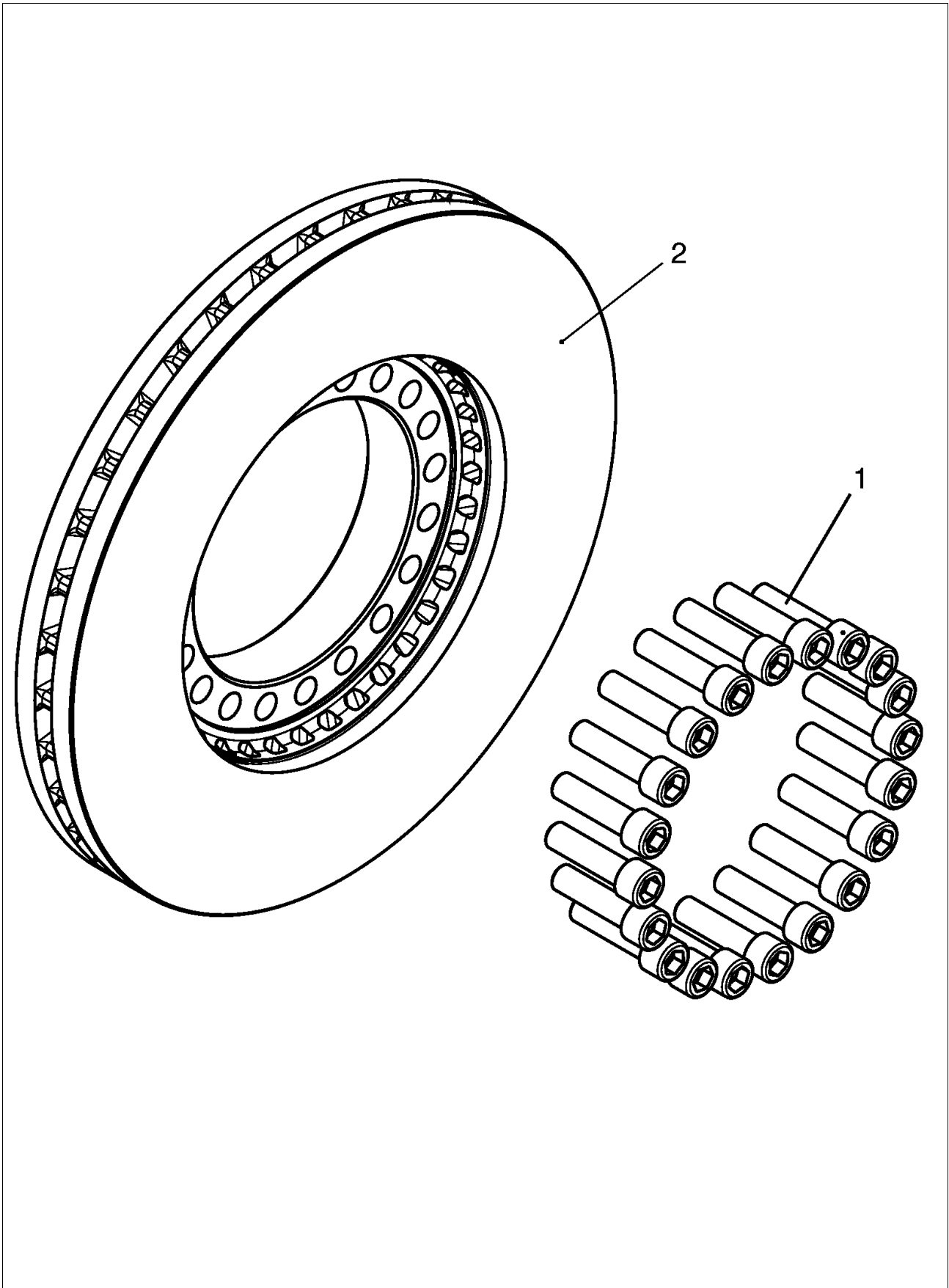
| Item | Qty. | Order no. | Description | Note |
|------|------|---------------------|--------------------|-------------------------------------|
| 37 | 1 | 90871-10143 | Plug screw | M10x1, hex head 14 mm |
| 38 | 1 | 144-341-1700 | Sliding Gear | |
| 39 | 2 | 133-348-0710 | Sliding shoe | |
| 40 | 1 | 144-751-1210 | Control fork | |
| 41 | 1 | 90313-06208 | Allen Screw | M6x20 |
| 42 | 1 | 90335-05108 | Stopping screw | M5x10 |
| 43 | 1 | 144-348-0000 | Sliding ring | |
| 44 | 1 | 91711-06500 | Retainer ring | D65 |
| 45 | 1 | 172-212-1710 | Sliding Shaft | D16/20x125 |
| 46 | 1 | 097-122-0100 | Return spring | D29.5x43 |
| 47 | 1 | 172-361-0410 | Push plate | D70x12 |
| 48 | 1 | 90319-08206 | Screw | M8x20 |
| 49 | 1 | 172-351-1202 | Membrane | |
| 50 | 1 | 572-161-1501 | Membrane cover | W/o Signal lamp switch thread |
| 50 | 1 | 572-161-1502 | Membrane cover | W/signal lamp switch thread M18x1.5 |
| 51 | 5 | 90303-08203 | Hex Screw | M8x20 |
| 51 | 5 | 90705-08423 | washer | D8.4/17x1.6 |
| 52 | 1 | 91201-18150 | Seal ring | D18/22x1.5 Cu |
| 53 | 1 | 586-490-0381 | Signal Lamp Switch | M18x1.5 (optional) |
| 53 | 1 | 90871-18173 | Plug screw | M18x1.5 (w/o switch) |



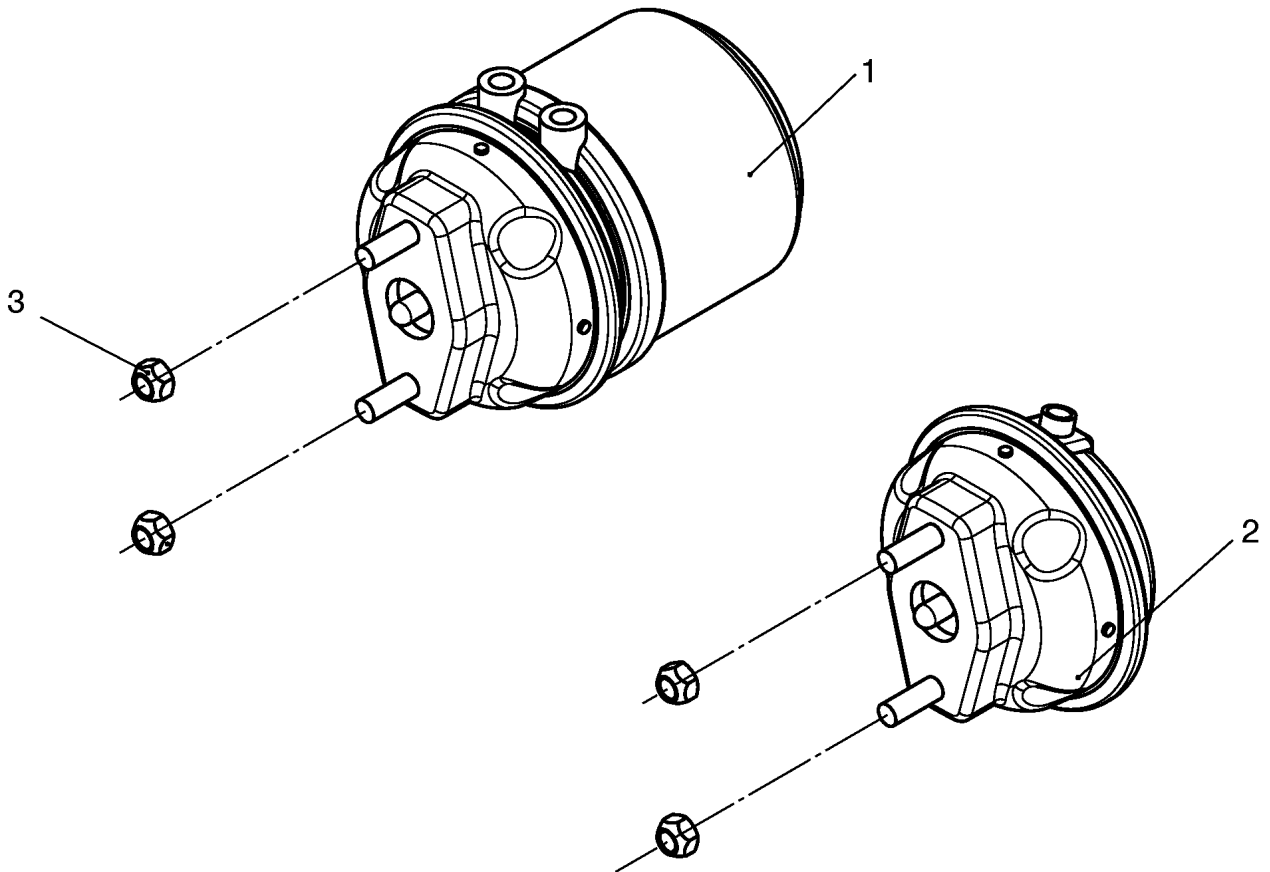
| Item | Qty. | Order no. | Description | Note |
|------|------|---------------------|---------------|---|
| 1 | 2 | 201-0110-303 | Brake Bracket | |
| 2 | 2 | 209-0200-301 | Brake Caliper | Knorr SN7268 |
| 3 | 2 | 209-0200-302 | Brake Caliper | Knorr SN7278 |
| 4 | 24 | 590316-16408 | Allen Screw | DIN 912, M16x1.5x40 - 12.9 |
| 5 | 4 | 202-0600-301 | Sensor | Knorr K000937 |
| 6 | AR | 202-0395-302 | Brake pad set | For 2 brake caliper (not shown in picture)) |



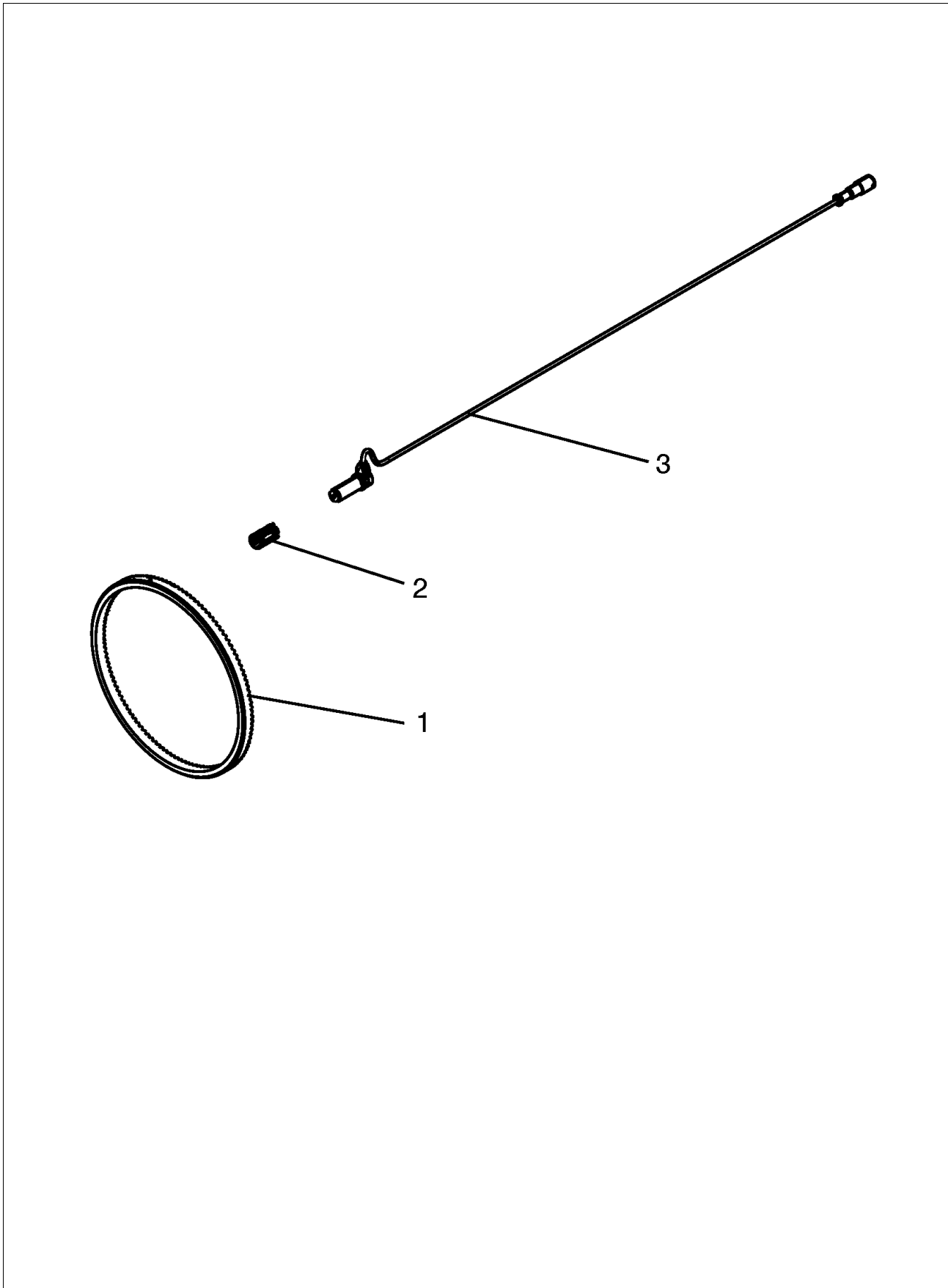
| Item | Qty. | Order no. | Description | Note |
|------|------|---------------------|-------------|----------------------------|
| 1 | 40 | 590316-16608 | Allen Screw | DIN 912, M16x1.5x60 - 12.9 |
| 2 | 40 | 90556-16247 | Nut | M16x1.5 |



| Item | Qty. | Order no. | Description | Note |
|------|------|---------------------|-------------|----------------------------|
| 1 | 40 | 590316-16608 | Allen Screw | DIN 912, M16x1.5x60 - 12.9 |
| 2 | 2 | 203-0210-303 | Brake Disc | |



| Item | Qty. | Order no. | Description | Note |
|------|------|---------------------|----------------------|---------|
| 1 | 2 | 207-0200-303 | Spring Brake Chamber | 24/30" |
| 2 | 2 | 207-0100-302 | Brake chamber | 24" |
| 3 | 8 | 90556-16247 | Nut | M16x1.5 |



| Item | Qty. | Order no. | Description | Note |
|------|------|---------------------|-------------|-----------------------|
| 1 | 2 | 208-0310-302 | Ring gear | D257/239x15, Z120 |
| 2 | 2 | 189-295-0000 | Bush | Wabco 899 760 510 |
| 3 | 2 | 589-250-0081 | Sensor | Knorr, protected wire |